



CATALOGO RICAMBI
SPARE PARTS LIST
LISTE DES PIÈCES
CATALOG PIESE DE SCHIMB

N220-100

**MACCHINA A CAMPO ELETTRONICA
PROGRAMMABILE**

www.bramac.it

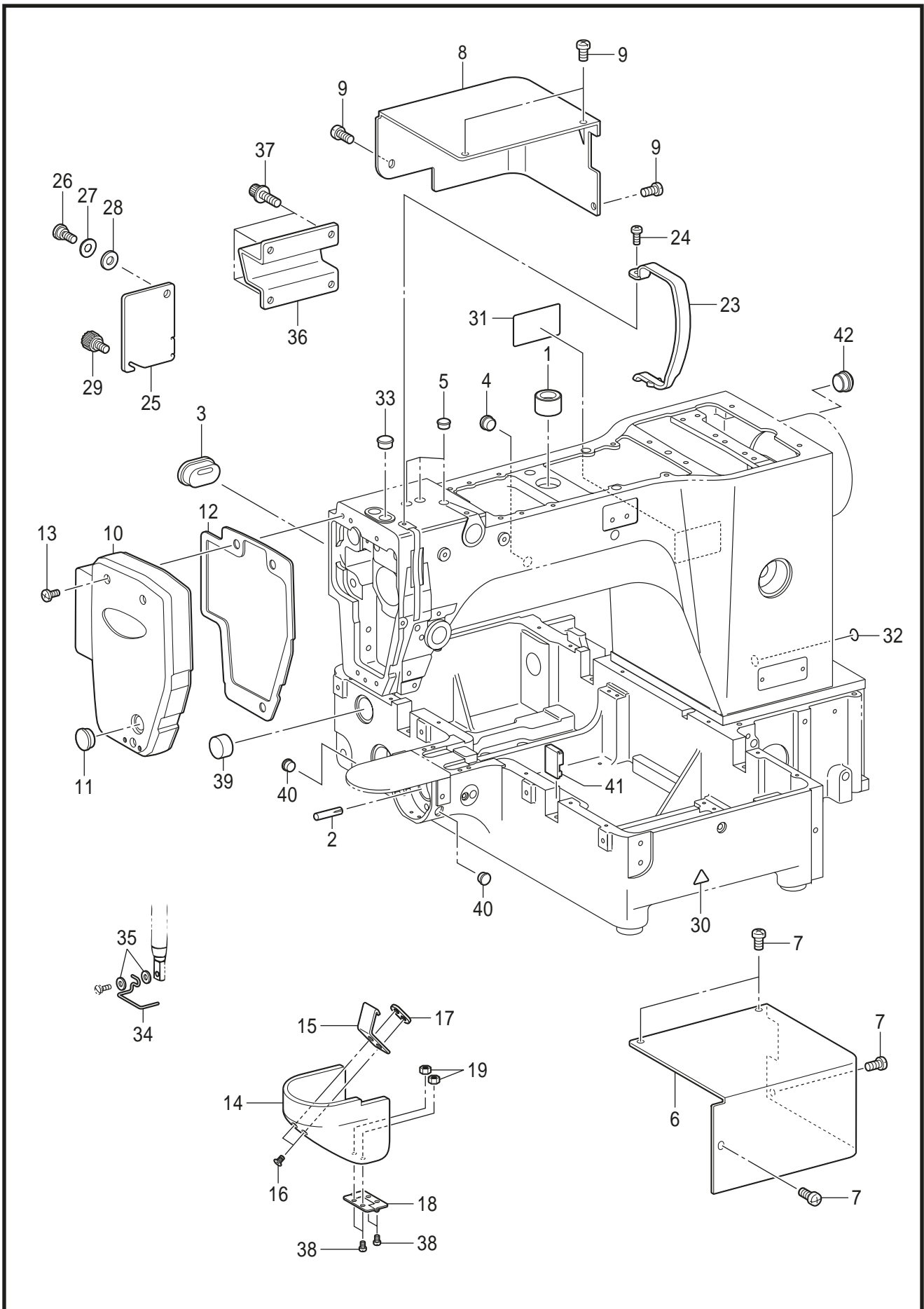


ver. 04-2022

Indice - Index - Table - Indice

A.	Corpo della macchina	1
A.	Machine body	1
B.	Meccanismo dell'albero superiore e della barra dell'ago	3
B.	Upper shaft and needle bar mechanism	3
C1.	Meccanismo di trasporto	5
C1.	Feed mechanism	5
C2.	Meccanismo di trasporto	7
C2.	Feed mechanism.....	7
C3.	Meccanismo di trasporto	11
C3.	Feed mechanism	11
C4.	Meccanismo di trasporto	13
C4.	Feed mechanism	13
D1.	Meccanismo di trasporto	15
D1.	Meccanismo di sollevamento del morsetto di lavoro	15
D2.	Meccanismo di trasporto	17
D2.	Meccanismo di sollevamento del morsetto di lavor.....	17
D3.	Meccanismo di trasporto	19
D3.	Meccanismo di sollevamento del morsetto di lavoro	19
E.	Meccanismo dell'albero inferiore	21
E.	Lower shaft mechanism	21
F.	Lubrificazione	23
F.	Lubrication	23
G.	Meccanismo del filo	27
G.	Threading mechanism.....	27
H.	Meccanismo di avvolgimento della bobina	29
H.	Bobbin winder mechanism.....	29
J.	Meccanismo del tagliafilo	31
J.	Thread trimmer mechanism.....	31
K.	Meccanismo rimozione del filo	35
K.	Thread wiper mechanism.....	35
L.	Meccanismo rimozione del filo	37
L.	Tension release mechanism.....	37
M1.	Scatola di controllo.....	39
M1.	Control box mechanism.....	39
M2.	Scatola di controllo PCB.....	41
M2.	Control box PCB.....	41
N.	Interruttore di alimentazione.....	43
N.	Power switch mechanism	43
P.	Pressione dell'aria.....	45
P.	Air pressure mechanism.....	45
Q.	Alimentazione elettrica.....	47
Q.	Power supply equipment mechanism	47
R.	Pannello operativo.....	49
R.	Operation panel	49
S.	Motore.....	51
S.	Motor mechanism	51
T.	Meccanismo del pedale.....	53
T.	Foot switch pedal mechanism	53
Z.	Accessori.....	61
Z.	Accessories	61

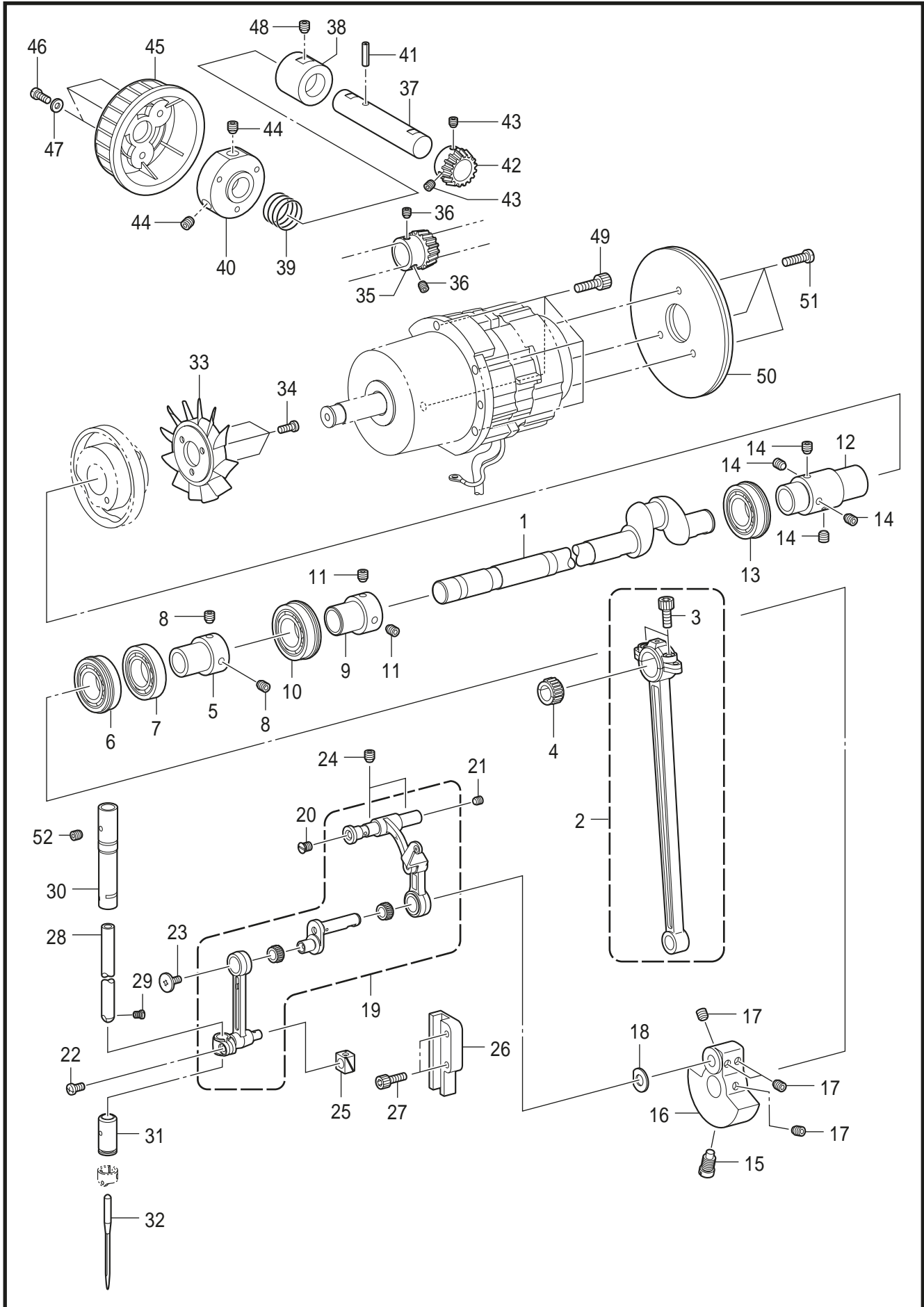
A .Machine body



A. Machine bod

1	SA4594001	1		
2	117608001	1		
3	SA4596001	1		
4	117934001	1		
5	104821001	3		
6	SA4597001	1		
7	062061016	4		
8	SA4598001	1		
9	062061016	4		
10	SA4600001	1		
11	104449001	1		
12	SA4601001	1		
13	062061016	3		
14	SA4603101	1		
15	SA6272001	1		
16	004300513	2		
17	SA3264001	1		
18	SA6207001	1		
19	021300103	2		
23	SA3200101	1		
24	062401006	1		
25	SA4604001	1		
26	SA3306001	1		
27	120265002	1		
28	S07350002	1		
29	S36475000	1		
30	S36924002	1		
31	SA0792001	1		
31	SA0793001	1		
32	S37060001	1		
33	S20164001	1		
34	S02445001	1		
35	025350332	2		
36	SA4605001	1		
37	S42446001	4		
38	062300506	4		
39	SA6194001	1		
40	S44010001	2		
41	SA6441001	2		
42	S20164001	1		

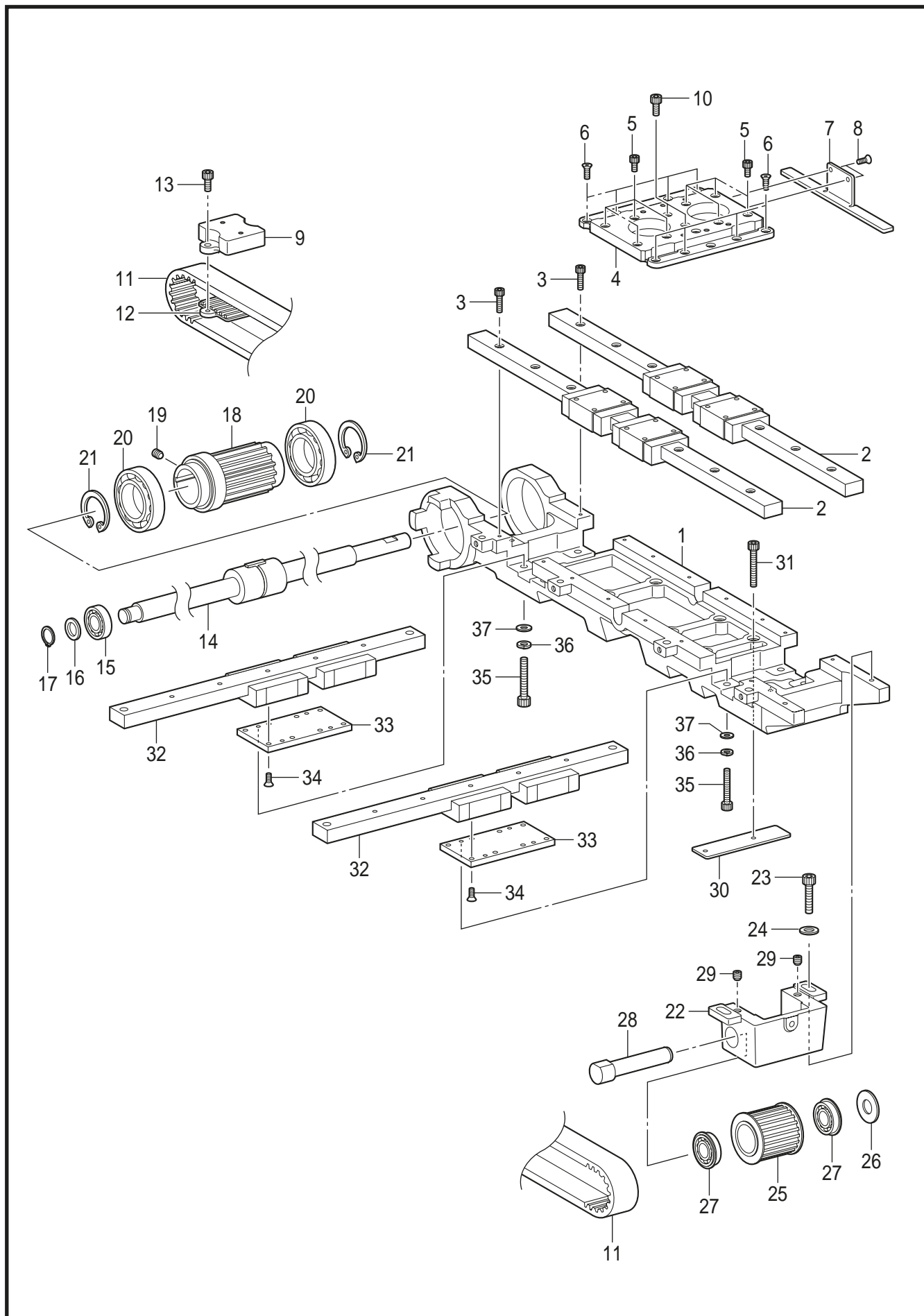
B .Upper shaft and needle bar mechanism



B. Upper shaft and needle bar mechanism

1	SA4606001	1		
2	SA3499001	1		
3	018501636	2		
4	SA4172001	2		
4	SA4173001	2		
4	SA4174001	2		
4	SA4175001	2		
5	SA3206001	1		
6	SA4179001	1		
7	SA4180001	1		
8	S23651001	2		
9	SA3206001	1		
10	SA4177001	1		
11	S23651001	2		
12	SA4608101	1		
13	SA4178001	1		
14	S23651001	4		
15	S25235001	1		
16	SA4609101	1		
17	S23651001	4		
18	110367001	1		
19	SA6182001	1		
20	SA2958001	1		
21	012500536	1		
22	062400816	1		
23	145465001	1		
24	012060636	2		
25	142211001	1		
26	SA3528001	1		
27	018401636	2		
28	SA4622001	1		
29	144458001	1		
30	SA4666001	1		
31	SA3224001	1		
32	* P. 67	1		
33	S38713100	1		
34	062400816	3		
35	SA6108001	1		
36	012500536	2		
37	SA4626001	1		
38	SA4627001	1		
39	SA4628001	1		
40	SA4629001	1		
41	047401242	1		
42	SA4624001	1		
43	012500536	2		
44	S23651001	2		
45	SA4630001	1		
46	062401006	3		
47	SA5158001	3		
48	012060636	1		
49	018501636	4		
50	SA5230001	2		
51	062401016	3		
52	012060536	1		

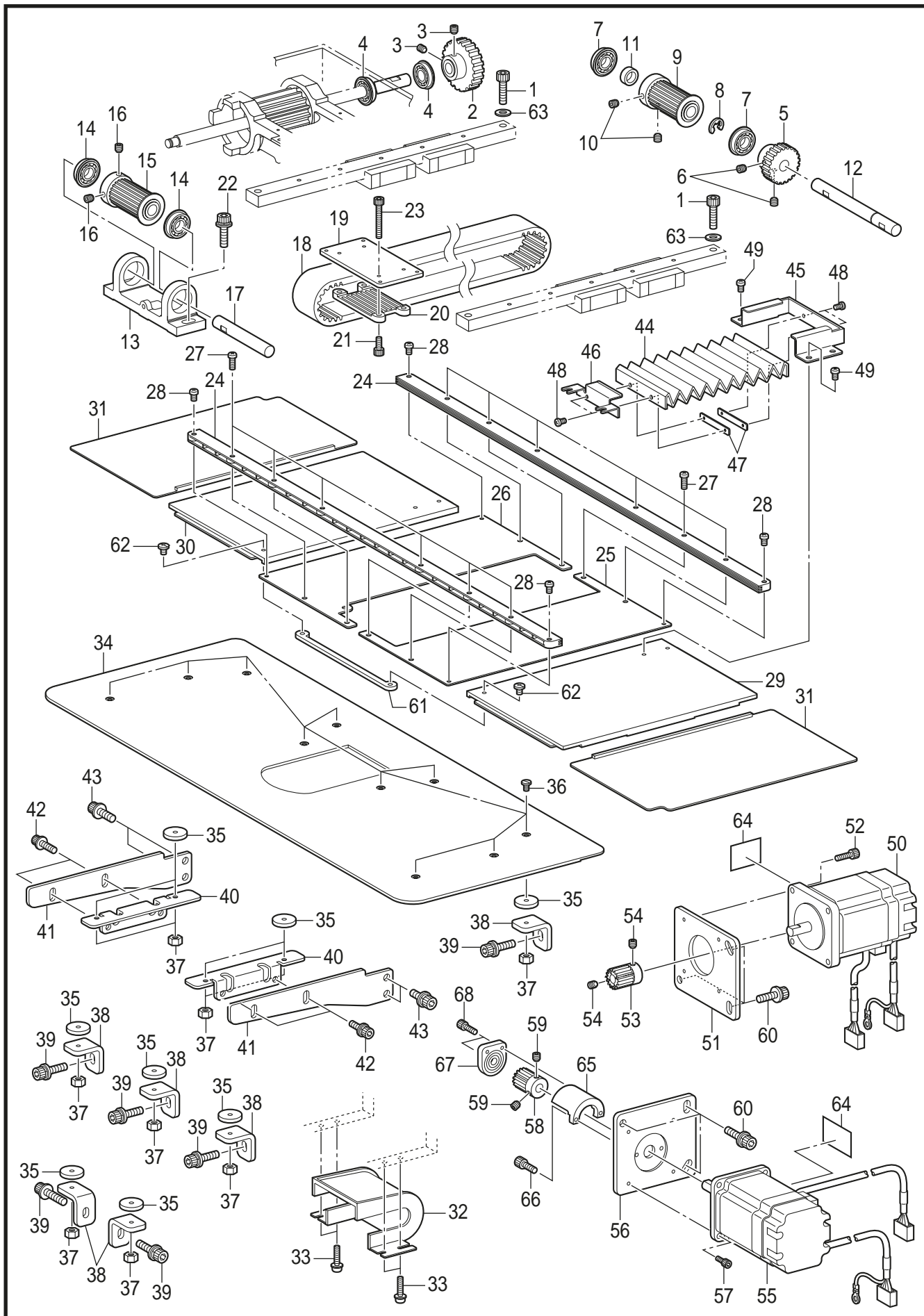
C1 Feed mechanism



C1. Feed mechanism

1	SA5229101	1		
2	SA4637001	2		
3	018301436	15		
4	SA4635101	1		
5	018300636	8		
6	061300616	8		
7	SA4636101	1		
8	061300616	2		
9	SA4641001	1		
10	018400836	2		
11	SA4649001	1		
12	SA4640001	1		
13	018400836	2		
14	SA4639001	1		
15	076000600	1		
16	025100132	1		
17	048100142	1		
18	SA4638001	1		
19	012060636	1		
20	076806606	2		
21	048420242	2		
22	SA4642001	1		
23	018501636	2		
24	025050236	2		
25	SA4643001	1		
26	S20356001	1		
27	SA4647001	2		
28	SA4648001	1		
29	012060636	2		
30	SA4650001	1		
31	018402036	2		
32	SA4651101	2		
33	SA4652101	2		
34	061300616	16		
35	018402036	8		
36	025040236	8		
37	028040246	8		

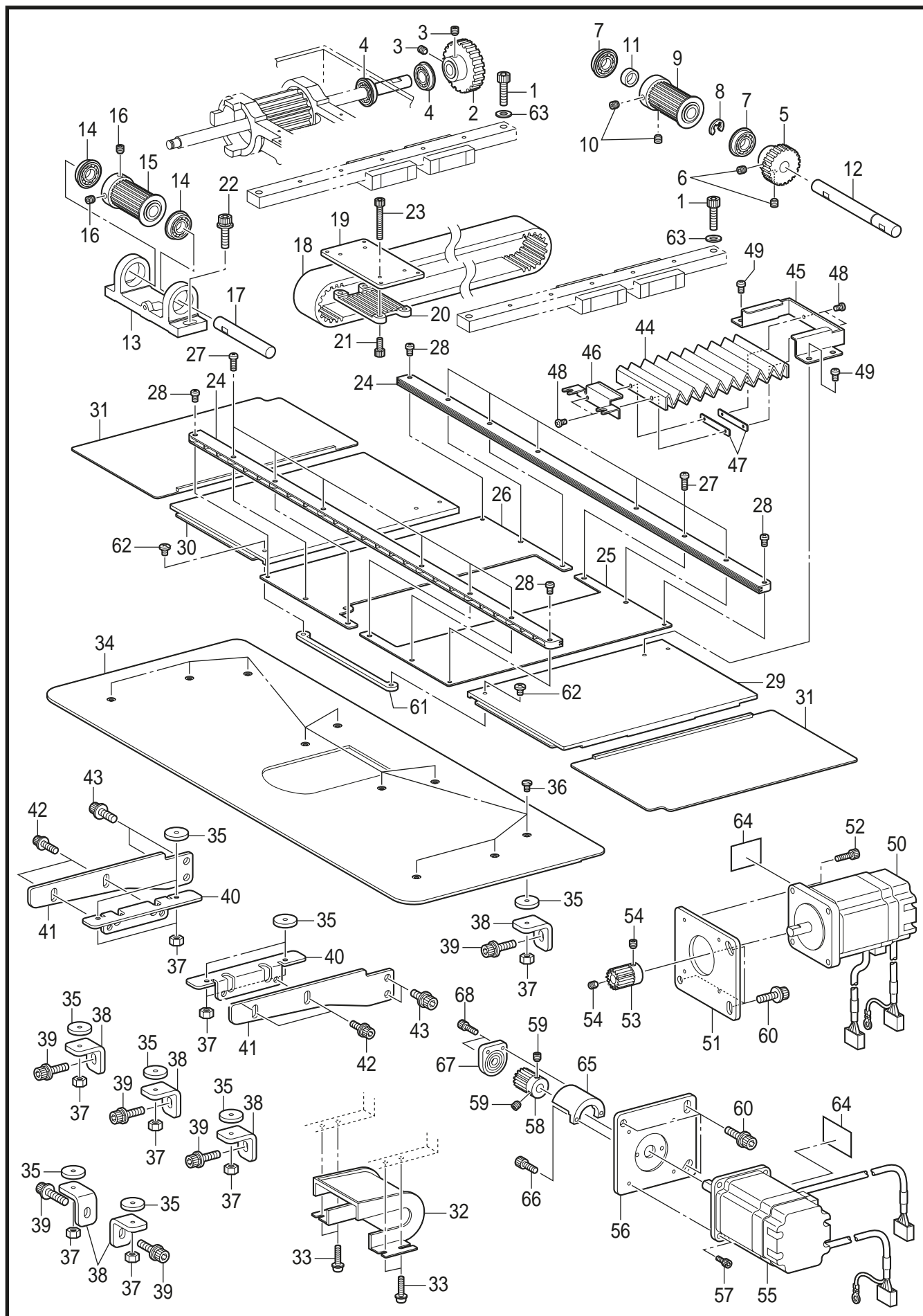
C2 .Feed mechanism



C2.Feed mechanism

1	018062036	4		
2	SA4653001	1		
3	012060636	2		
4	SA4647001	2		
5	SA4654001	1		
6	012060636	2		
7	SA4647001	2		
8	048080342	1		
9	SA4655101	1		
10	012060636	2		
11	SA4658001	1		
12	SA4659001	1		
13	SA4661001	1		
14	SA4647001	2		
15	SA4655101	1		
16	012060636	2		
17	SA4662001	1		
18	SA4663001	1		
19	SA4664001	1		
20	SA4665001	1		
21	018400836	4		
22	SA2972001	2		
23	018402036	4		
24	SA4667101	2		
25	SA4671001	1		
26	SA4672001	1		
27	062401016	12		
28	062400416	4		
29	SA6359001	1		
30	SA6360001	1		
31	SA6361001	2		
32	SA4673001	1		
33	0A5401006	4		
34	SA4675201	1		
35	SA4677101	10		
36	S23849001	10		
37	021400216	10		
38	SA4676001	6		
39	S42446001	6		
40	SA6434001	2		
41	SA6435001	2		
42	S55484002	4		
43	S42446001	4		
44	SA4679101	1		
45	SA4680101	1		
46	SA4681001	1		
47	SA4682001	2		
48	062300416	4		
49	062400416	4		
50	SA4820201	1		
51	SA4684001	1		
52	018401036	4		
53	SA3707001	1		
54	012060536	2		
55	SA4823101	1		
56	SA4684001	1		
57	018401036	4		
58	SA3707001	1		
59	012060536	2		
60	S42446001	6		
61	SA6306001	1		

C2 .Feed mechanism

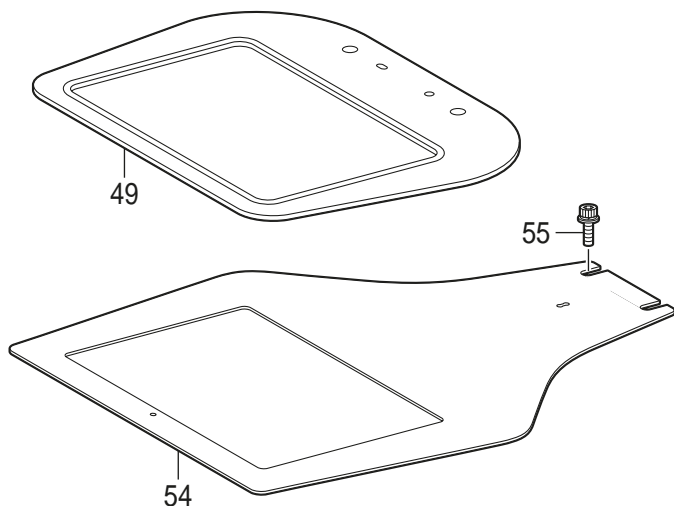
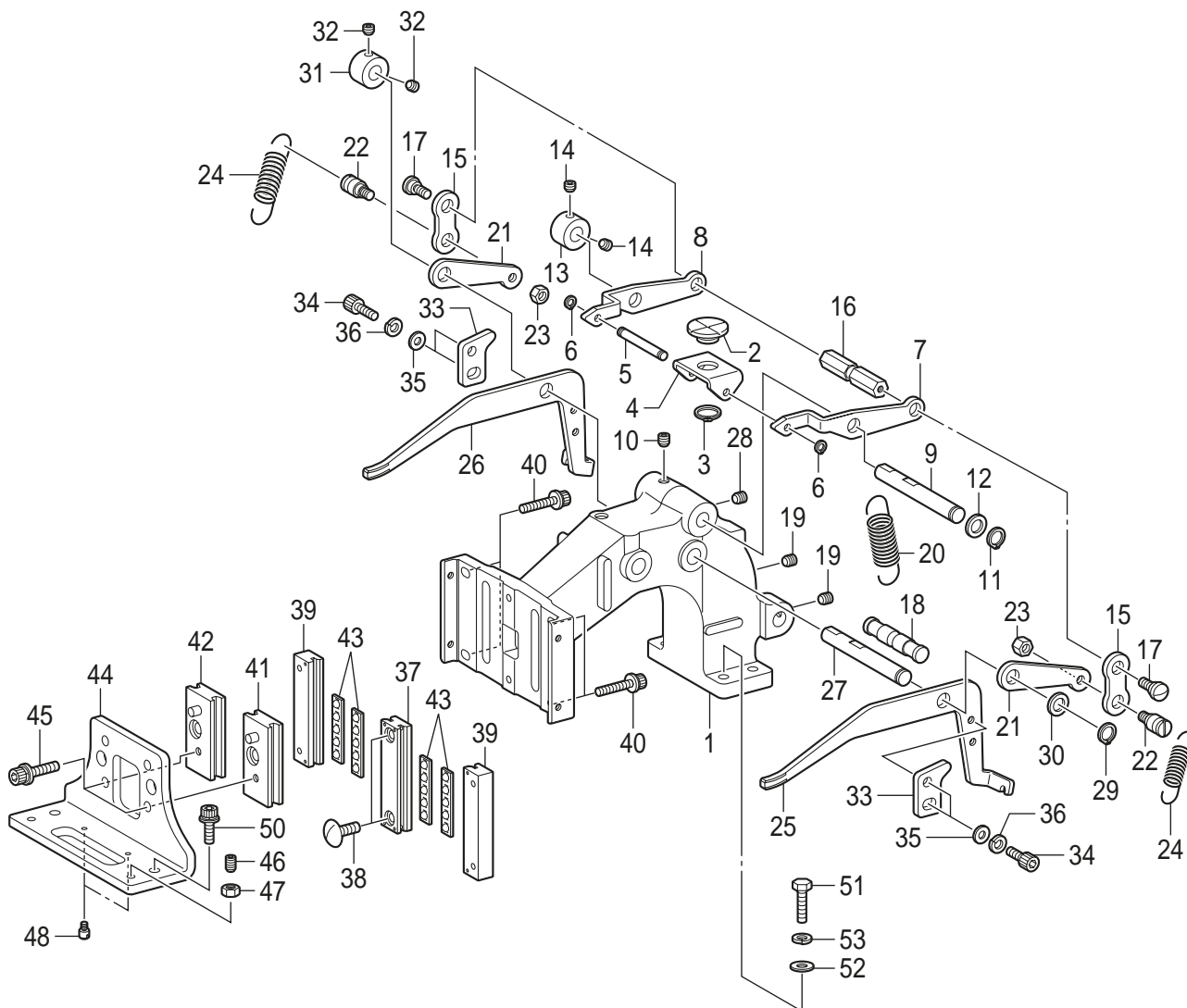


C2. Feed mechanism

62	S23418001	2			
63	118735001	4			
64	SA4224001	2			
65	SA6450101	1			
66	018501036	2			
67	SA6451101	1			
68	018401036	2			

C3 .Feed mechanism

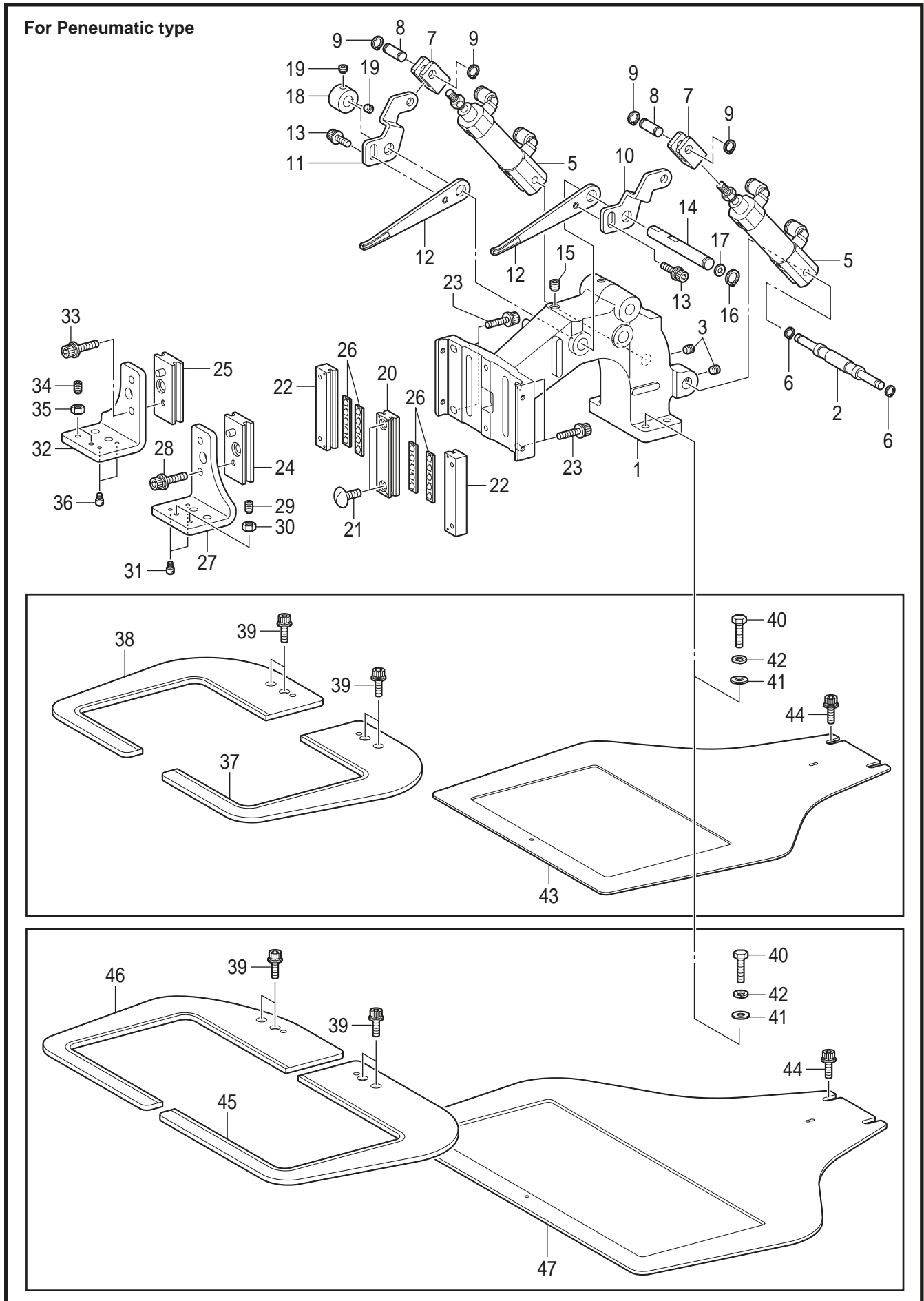
For Solenoid type



C3.Feed mechanism

1	SA4686101	1
2	SA4687101	1
3	048100142	1
4	SA4688001	1
5	SA4689001	1
6	048040142	2
7	SA4690001	1
8	SA4691001	1
9	SA4692001	1
10	012060636	1
11	048080142	1
12	110367001	1
13	SA3231001	1
14	012060536	2
15	SA4696001	2
16	SA4693001	1
17	SA4697001	2
18	SA4694001	1
19	012060636	2
20	SA4695001	1
21	SA4698001	2
22	SA4700001	2
23	021500216	2
24	SA4701001	2
25	SA4702001	1
26	SA4703001	1
27	SA4692001	1
28	012060636	1
29	048080142	1
30	110367001	1
31	SA3231001	1
32	012060536	2
33	SA4699001	2
34	018500836	4
35	025050236	4
36	028050246	4
37	SA4863001	1
38	S23849001	2
39	SA4864001	2
40	S55482001	4
41	SA4712001	1
42	SA4714001	1
43	SA4706101	4
44	SA4708001	1
45	S55485001	2
46	012501031	2
47	021500216	2
48	SA4709001	2
49	SA4866101	1
50	S55484002	2
51	017501616	4
52	025050236	4
53	028050246	4
54	SA4715001	1
55	S55484002	2

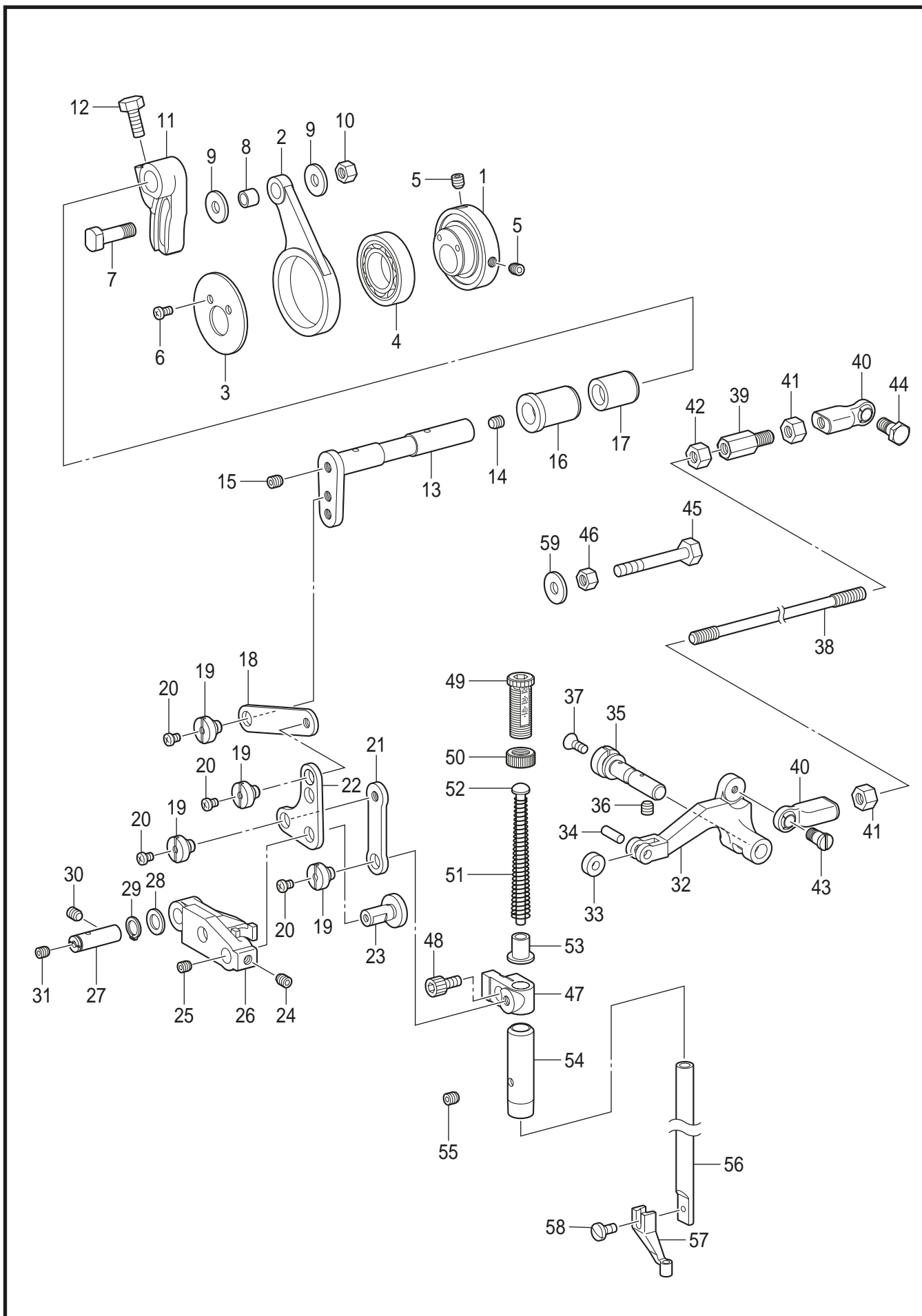
C4 .Feed mechanism



C4. Feed mechanism

1	SA4686101	1
2	SA4717001	1
3	012060636	2
5	SA4719001	2
6	048050142	2
7	SA4720001	2
8	SA4721001	2
9	048060142	4
10	SA4722001	1
11	SA4723001	1
12	SA4724001	2
13	S55479001	2
14	SA4692001	1
15	012060636	1
16	048080142	1
17	110367001	1
18	SA3231001	1
19	012060536	2
20	SA4863001	1
21	S23849001	2
22	SA4864001	2
23	S55482001	4
24	SA4712001	1
25	SA4714001	1
26	SA4706101	4
27	SA4725001	1
28	S55485001	1
29	012501031	2
30	021500216	2
31	SA4709001	2
32	SA4726001	1
33	S55485001	1
34	012501031	2
35	021500216	2
36	SA4709001	2
37	SA4868101	1
38	SA4869101	1
39	S55484002	4
40	017501616	4
41	025050236	4
42	028050246	4
43	SA4715001	1
44	S55484002	2
45	SA4870101	1
46	SA4871101	1
39	S55484002	4
40	017501616	4
41	025050236	4
42	028050246	4
44	S55484002	2
47	SA4852001	1

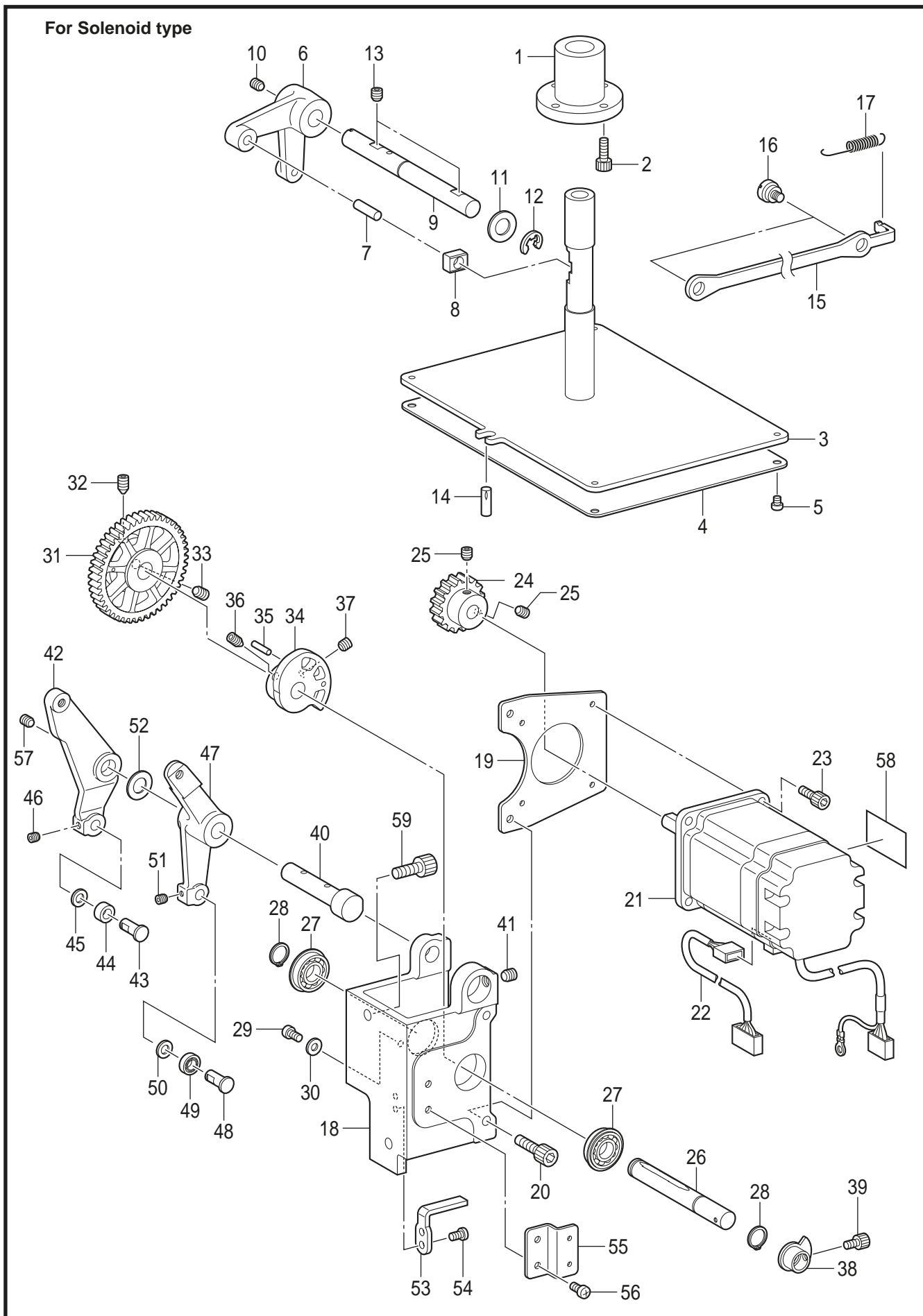
D1 .Work clamp lifter mechanism



D1. Work clamp lifter mechanism

1	SA4759001	1		
2	SA4760001	1		
3	SA4763001	1		
4	623033000	1		
5	S23651001	2		
6	062400616	2		
7	SA4761001	1		
8	SA4762001	1		
9	SA4302001	2		
10	021060106	1		
11	SA4764001	1		
12	017061216	1		
13	SA4765001	1		
14	012060636	1		
15	S23651001	1		
16	SA4766001	1		
17	SA4767001	1		
18	SA4768001	1		
19	SA4769001	4		
20	062300416	4		
21	SA4770001	1		
22	SA4772001	1		
23	SA4773001	1		
24	012060636	1		
25	012400436	1		
26	SA4777001	1		
27	SA4771001	1		
28	SA2161001	1		
29	048080142	1		
30	012060636	1		
31	012400436	1		
32	SA4779001	1		
33	SA4781001	1		
34	141362001	1		
35	SA4780001	1		
36	012060636	1		
37	S25310101	1		
38	SA4775001	1		
39	SA4853001	1		
40	SA2663001	2		
41	021060306	2		
42	SA3227001	1		
43	SA4776001	1		
44	S32462001	1		
45	017065002	1		
46	021060106	1		
47	SA4778001	1		
48	018400836	1		
49	SA1174001	1		
50	SA1175001	1		
51	SA5300001	1		
52	S10112001	1		
53	SA5301001	1		
54	SA2195001	1		
55	012060536	1		
56	111466101	1		
57	* P. 67	1		
58	S13399001	1		
59	151439102	1		

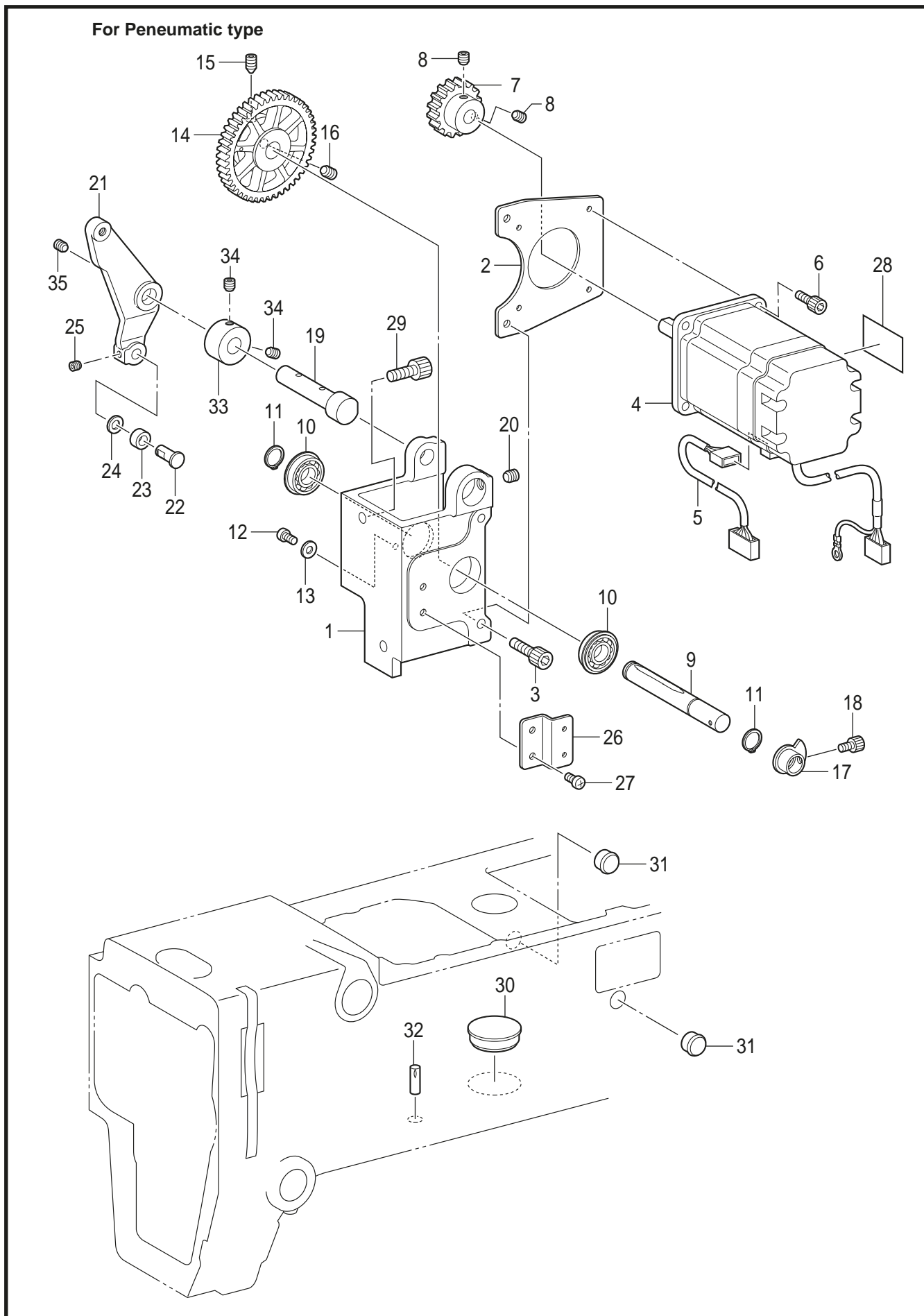
D2 .Work clamp lifter mechanism



D2. Work clamp lifter mechanism

1	SA4729001	1
2	018401036	4
3	SA4731001	1
4	SA4734001	1
5	062400416	4
6	SA4736001	1
7	152744001	1
8	102630001	1
9	SA4737001	1
10	012060636	1
11	S20356001	1
12	048080342	1
13	012060636	2
14	118208001	1
15	SA4738001	1
16	SA3438001	2
17	SA4739001	1
18	SA4741101	1
19	SA4742001	1
20	018501036	2
21	SA4826201	1
22	SA4828001	1
23	018401036	4
24	SA4743001	1
25	012060636	2
26	SA4744001	1
27	SA4647001	2
28	048100142	2
29	062400616	1
30	025040236	1
31	SA4745001	1
32	016061031	1
33	012060636	1
34	SA4746001	1
35	S35079000	1
36	016061031	1
37	012060636	1
38	SA4747001	1
39	018400636	1
40	SA4748001	1
41	012060636	1
42	SA6210001	1
43	SA3441001	1
44	070696800	1
45	109763001	1
46	012500536	1
47	SA4750001	1
48	SA3441001	1
49	070696800	1
50	109763001	1
51	012500536	1
52	S20356001	1
53	SA4752001	1
54	062400616	2
55	SA4753001	1
56	062400616	2
57	012060636	1
58	SA4224001	1
59	018061236	2

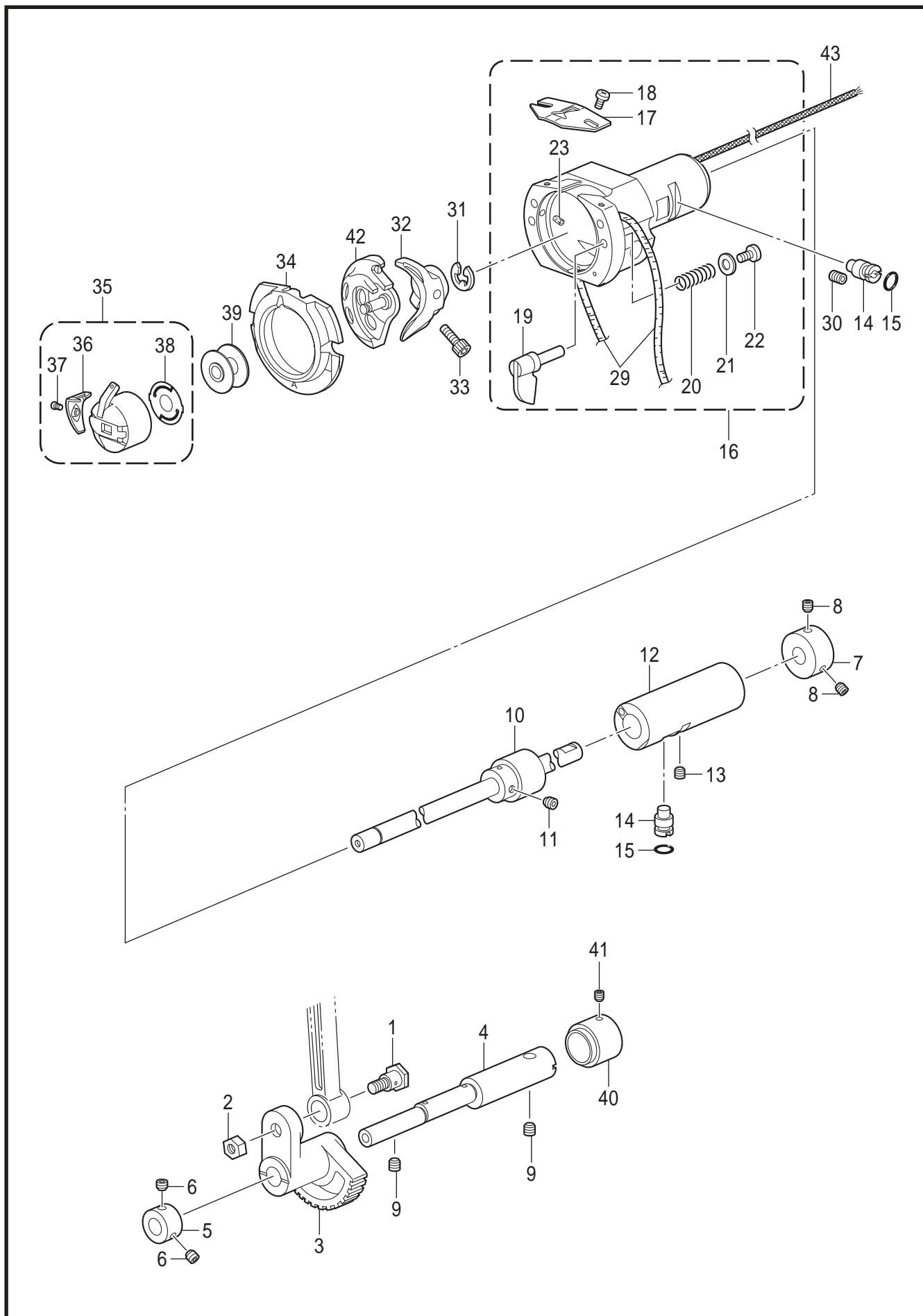
D3 .Work clamp lifter mechanism



D3. Work clamp lifter mechanism

1	SA4741101	1
2	SA4742001	1
3	018501036	2
4	SA4826201	1
5	SA4828001	1
6	018401036	4
7	SA4743001	1
8	012060636	2
9	SA4744001	1
10	SA4647001	2
11	048100142	2
12	062400616	1
13	025040236	1
14	SA4745001	1
15	016061031	1
16	012060636	1
17	SA4747001	1
18	018400636	1
19	SA4748001	1
20	012060636	1
21	SA6210001	1
22	SA3441001	1
23	070696800	1
24	109763001	1
25	012500536	1
26	SA4753001	1
27	062400616	2
28	SA4224001	1
29	018061236	2
30	159163000	1
31	104821001	2
32	118550001	1
33	SA4757101	1
34	012060636	2
35	012060636	1

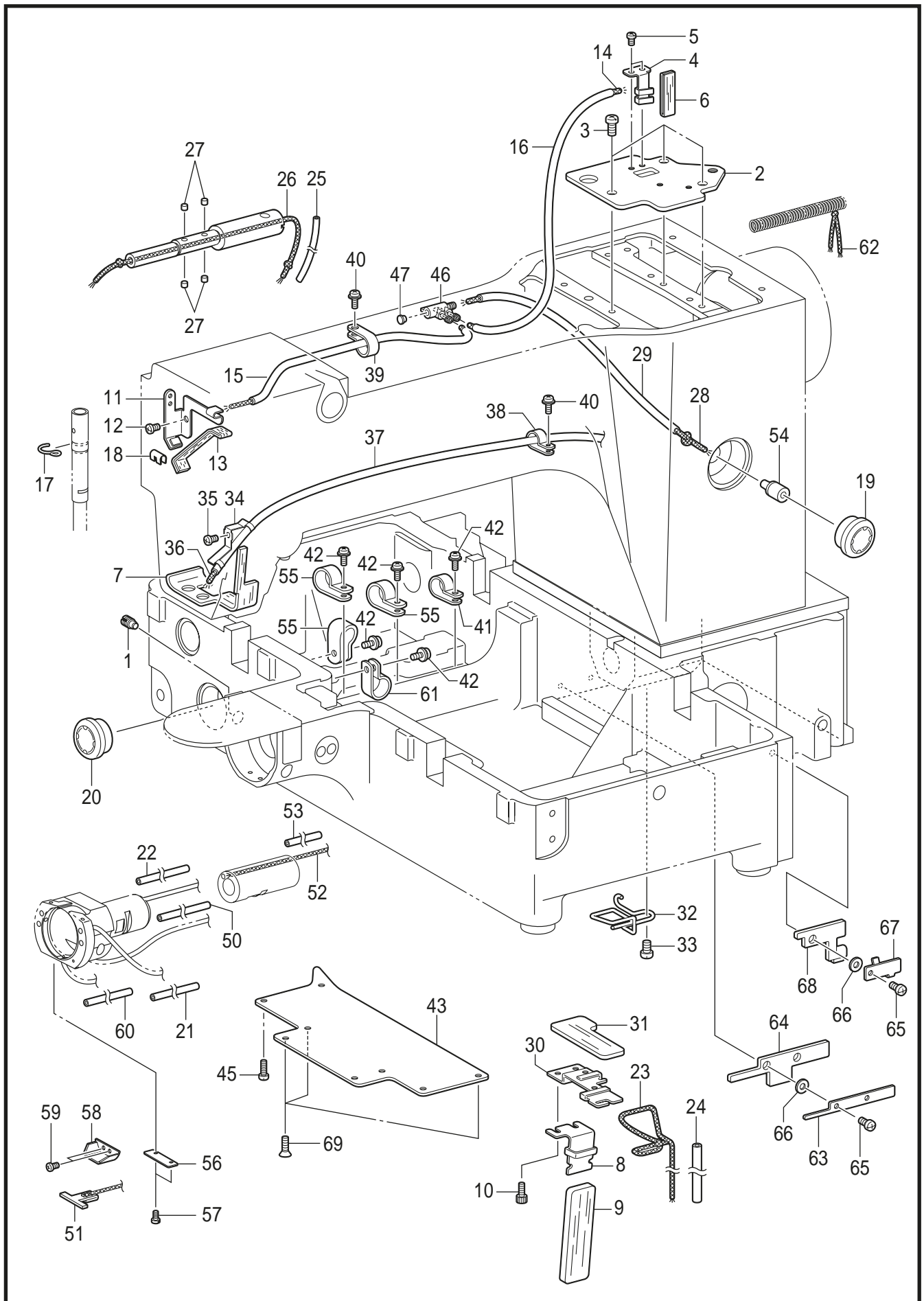
E . Lower shaft mechanism



E. Lower shaft mechanism

1	SA3226001	1		
2	SA3227001	1		
3	SA3228101	1		
4	SA4782001	1		
5	SA3231001	1		
6	012060536	2		
7	SA3233001	1		
8	S23651001	2		
9	012060636	2		
10	SA4783101	1		
11	012500536	1		
12	SA6216001	1		
13	012060636	1		
14	SA3238101	2		
15	081003670	2		
16	SA6220001	1		
17	S02429201	1		
18	SA4199001	2		
19	SA3241001	2		
20	152684101	2		
21	026030136	2		
22	062300616	2		
23	153050000	2		
29	S59886001	2		
30	012060636	1		
31	048070342	1		
32	SA3284101	1		
33	018501232	1		
34	* P. 66	1		
35	* P. 66	1		
36	* P. 66	1		
37	* P. 66	1		
38	* P. 66	1		
39	* P. 66	1		
40	SA3283101	1		
41	012500536	1		
42	* P. 66	1		
43	S32557000	1		

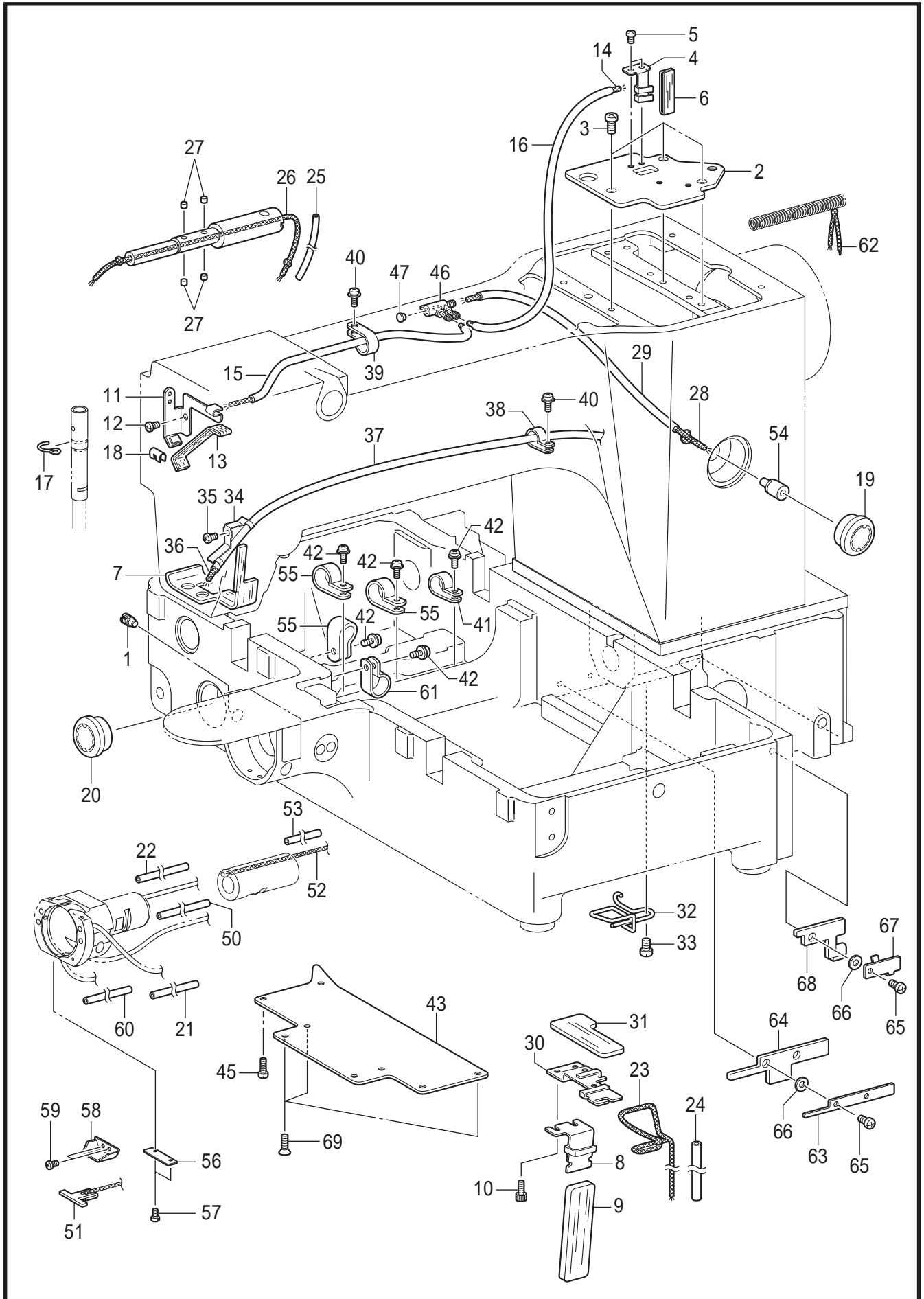
F .Lubrication



F. Lubrication

1	SA3244001	1		
2	SA4785001	1		
3	062061016	3		
4	SA4787001	1		
5	062400616	2		
6	SA5294001	1		
7	SA4786101	1		
8	SA3503201	1		
9	SA3504201	1		
10	018400636	2		
11	SA4788001	1		
12	062400616	1		
13	SA6593001	1		
14	SA6580001	1		
15	S07459100	1		
16	SA6576001	1		
17	SA6087001	1		
18	104567101	1		
19	S49992000	1		
20	152948001	1		
21	S50529000	1		
22	S07459100	1		
23	SA5292101	1		
24	S53175000	1		
25	SA5072001	1		
26	SA6578001	1		
27	S09043000	4		
28	S49982000	1		
29	S48189000	1		
30	SA3246001	1		
31	SA3280001	1		
32	SA4789101	1		
33	062060816	1		
34	145547001	1		
35	062400616	1		
36	S49957000	1		
37	SA4791101	1		
38	149547000	1		
39	525567000	1		
40	0A5401006	2		
41	525664000	1		
42	0A5401006	5		
43	SA6211001	1		
45	062401016	5		
46	S38265000	1		
47	142274101	1		
50	SA6263001	1		
51	SA6260001	1		
52	S00400000	1		
53	SA6579001	1		
54	SA5339101	1		
55	525567000	3		
56	SA3242001	1		
57	S44924001	2		
58	SA3274101	1		
59	S47307001	2		

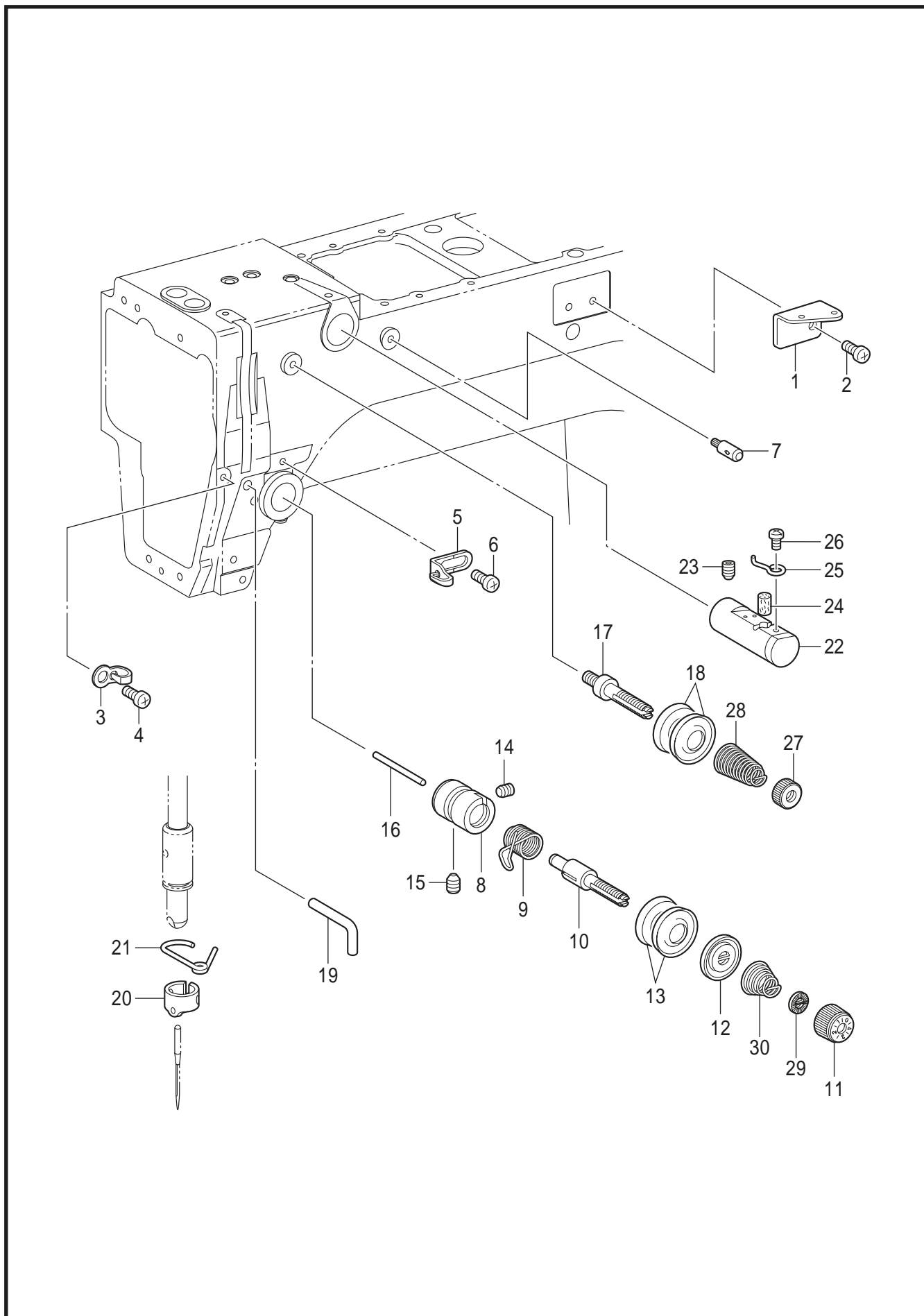
F .Lubrication



F. Lubrication

60	SA6577001	1		
61	552907000	1		
62	SA6572001	1		
63	SA6581001	1		
64	SA6583001	1		
65	062400616	3		
66	028040246	3		
67	SA6582001	1		
68	SA6584001	1		
69	S25310101	3		

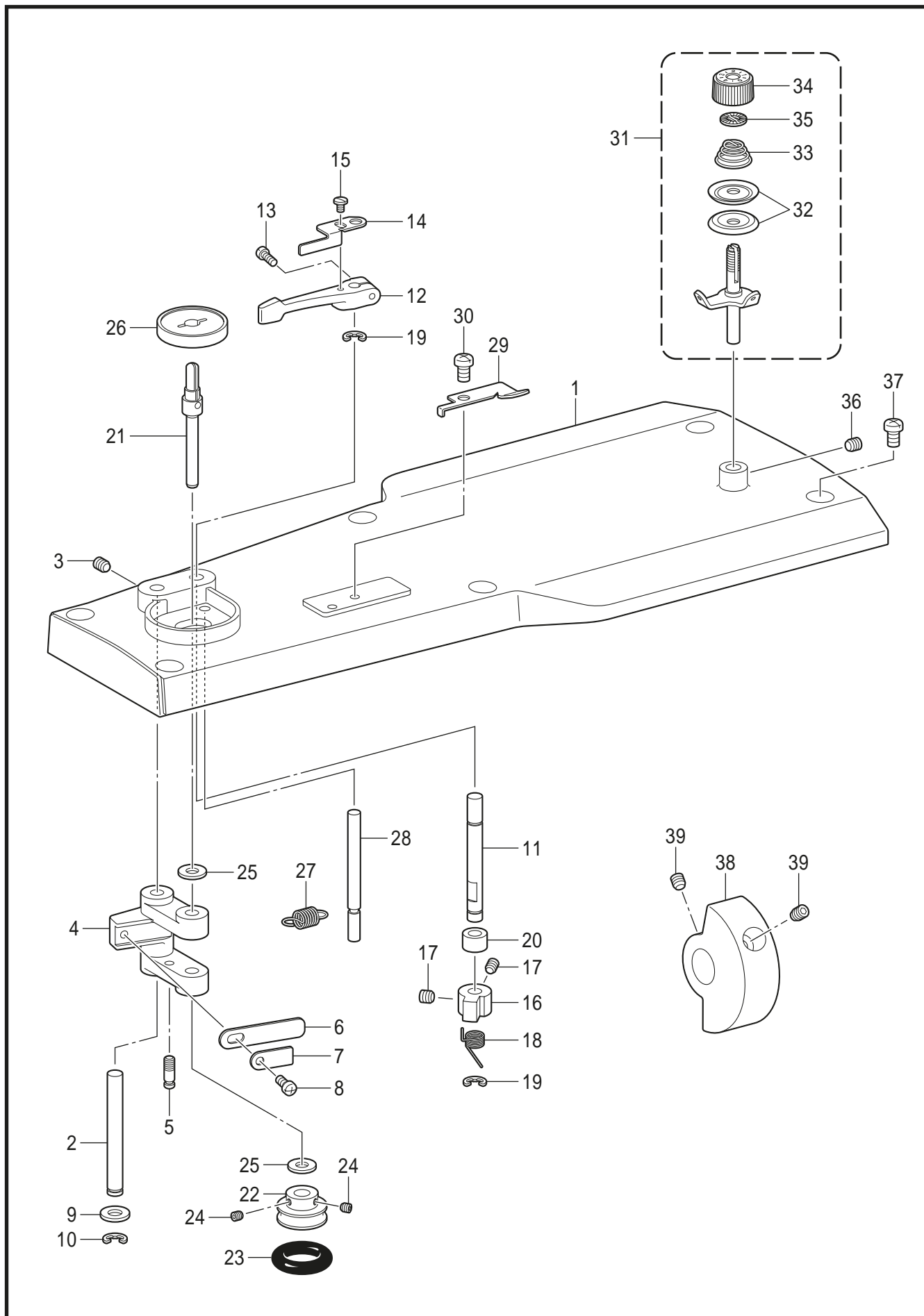
G .Threading mechanism



G. Threading mechanism

1	SA3250001	1		
2	062500616	1		
3	SA4333001	1		
4	062500616	1		
5	SA6391001	1		
6	062500616	1		
7	153049001	1		
8	SA3254001	1		
9	* P. 66	1		
10	SA3255001	1		
11	S31032001	1		
12	159805001	1		
13	145446001	1		
14	100402004	1		
15	SA4143001	1		
16	S12699000	1		
17	SA3256001	1		
18	145446001	2		
19	159224001	1		
20	* P. 67	1		
21	SA3258001	1		
22	152881001	1		
23	012060636	1		
24	152883000	1		
25	152884001	1		
26	062670412	1		
27	100136001	1		
28	SA4146001	1		
29	S12441001	1		
30	* P. 66	1		

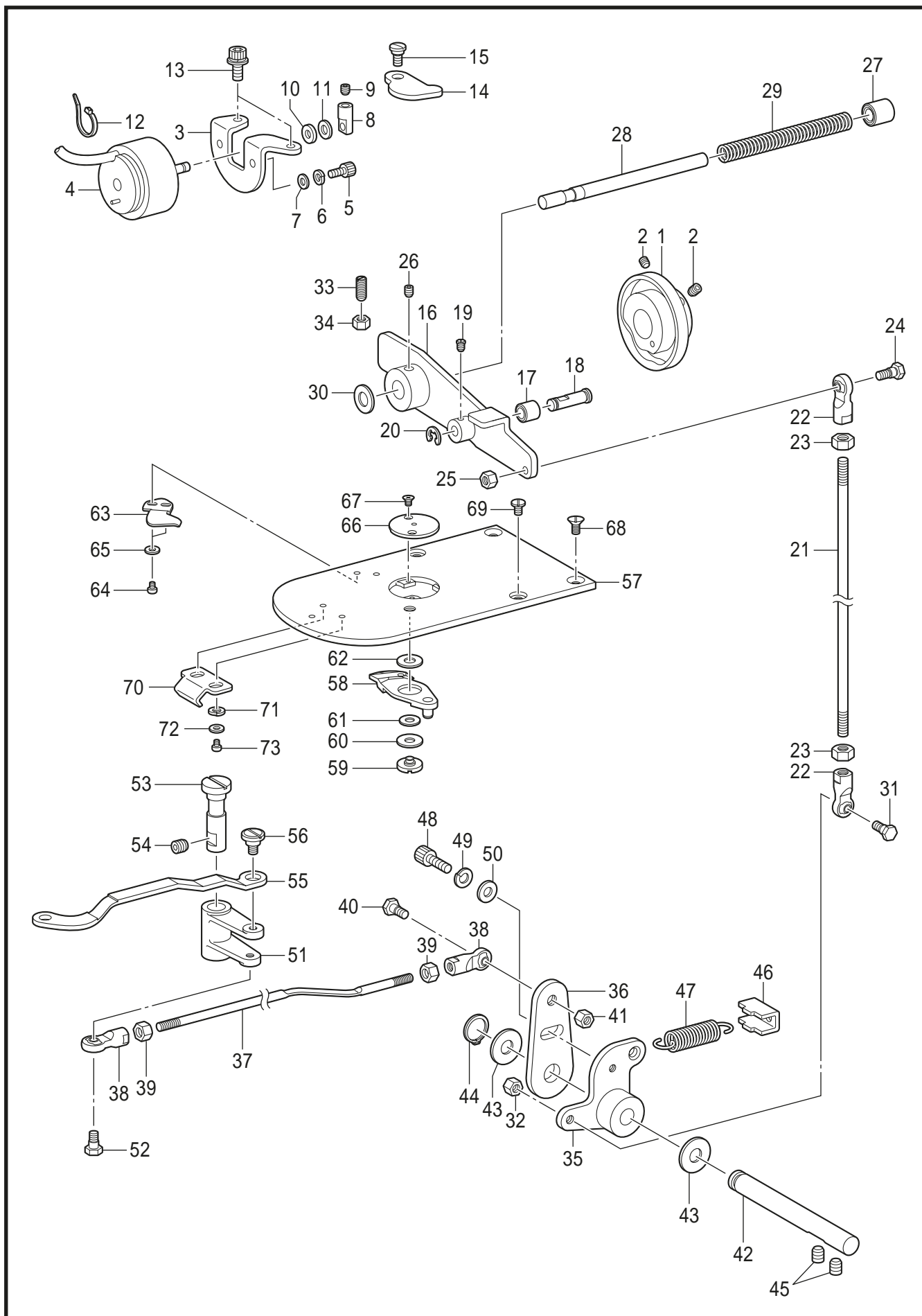
H .Bobbin winder mechanism



H. Bobbin winder mechanism

1	SA4795001	1		
2	SA3290001	1		
3	012500536	1		
4	SA3291001	1		
5	SA4171001	1		
6	152936001	1		
7	152937001	1		
8	062350616	1		
9	159486001	1		
10	048050342	1		
11	SA3293001	1		
12	SA1984001	1		
13	062401216	1		
14	SA3294001	1		
15	S23418002	1		
16	SA3295001	1		
17	012400436	2		
18	S10438001	1		
19	048050342	2		
20	SA4796001	1		
21	SA3296001	1		
22	SA3297001	1		
23	120448001	1		
24	012400436	2		
25	159486001	2		
26	SA1988001	1		
27	S10268001	1		
28	SA3298001	1		
29	SA3299001	1		
30	062500616	1		
31	SA1994101	1		
32	145446002	2		
33	100401022	1		
34	S31032001	1		
35	S12441001	1		
36	012500536	1		
37	062061016	6		
38	SA4797101	1		
39	S23651001	2		

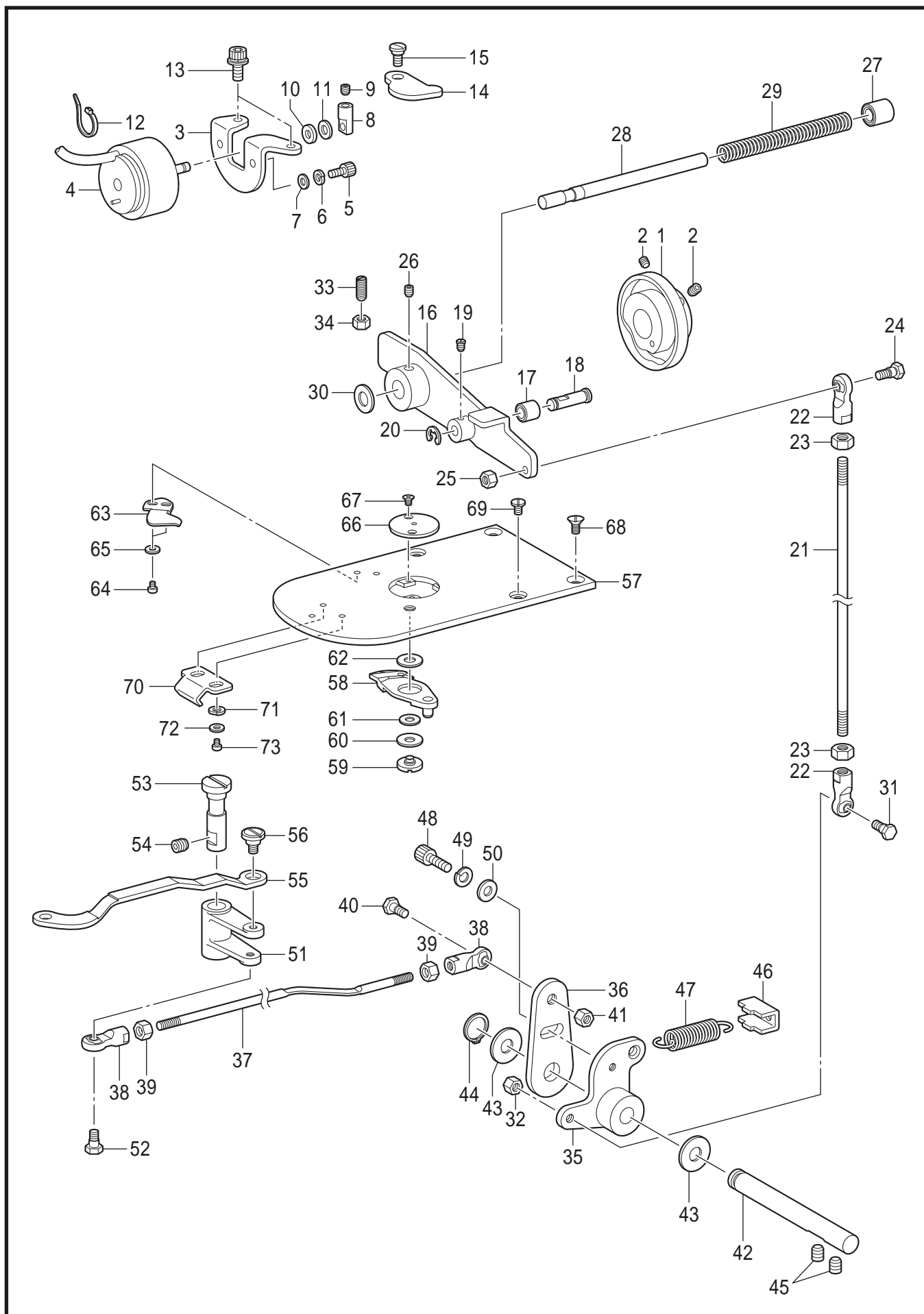
J .Thread trimmer mechanism



J. Thread trimmer mechanism

1	SA3301101	1		
2	S23651001	2		
3	SA4798001	1		
4	SA5135001	1		
5	017400802	2		
6	028040246	2		
7	025040236	2		
8	SA3307001	1		
9	012400436	1		
10	154599000	1		
11	S02652001	1		
12	S04159000	1		
13	S55484002	2		
14	SA4799001	1		
15	SA3306001	1		
16	SA3309101	1		
17	SA3310001	1		
18	SA3311001	1		
19	S46903001	1		
20	048040342	1		
21	SA3315001	1		
22	S32465001	2		
23	021060106	2		
24	S32462001	1		
25	021060306	1		
26	S23651001	1		
27	231071001	1		
28	SA3312001	1		
29	SA3313101	1		
30	154596000	1		
31	S32462001	1		
32	021060306	1		
33	S25475101	1		
34	021060106	1		
35	SA4546001	1		
36	SA3317001	1		
37	SA4801001	1		
38	S32465001	2		
39	021060106	2		
40	S32462001	1		
41	021060306	1		
42	SA3319101	1		
43	SA4545001	2		
44	048080142	1		
45	012060636	2		
46	SA3320101	1		
47	SA3321001	1		
48	018501236	1		
49	028050246	1		
50	146354002	1		
51	SA3324001	1		
52	SA3325001	1		
53	SA4802001	1		
54	012060636	1		
55	SA3327101	1		
56	SA4354001	1		

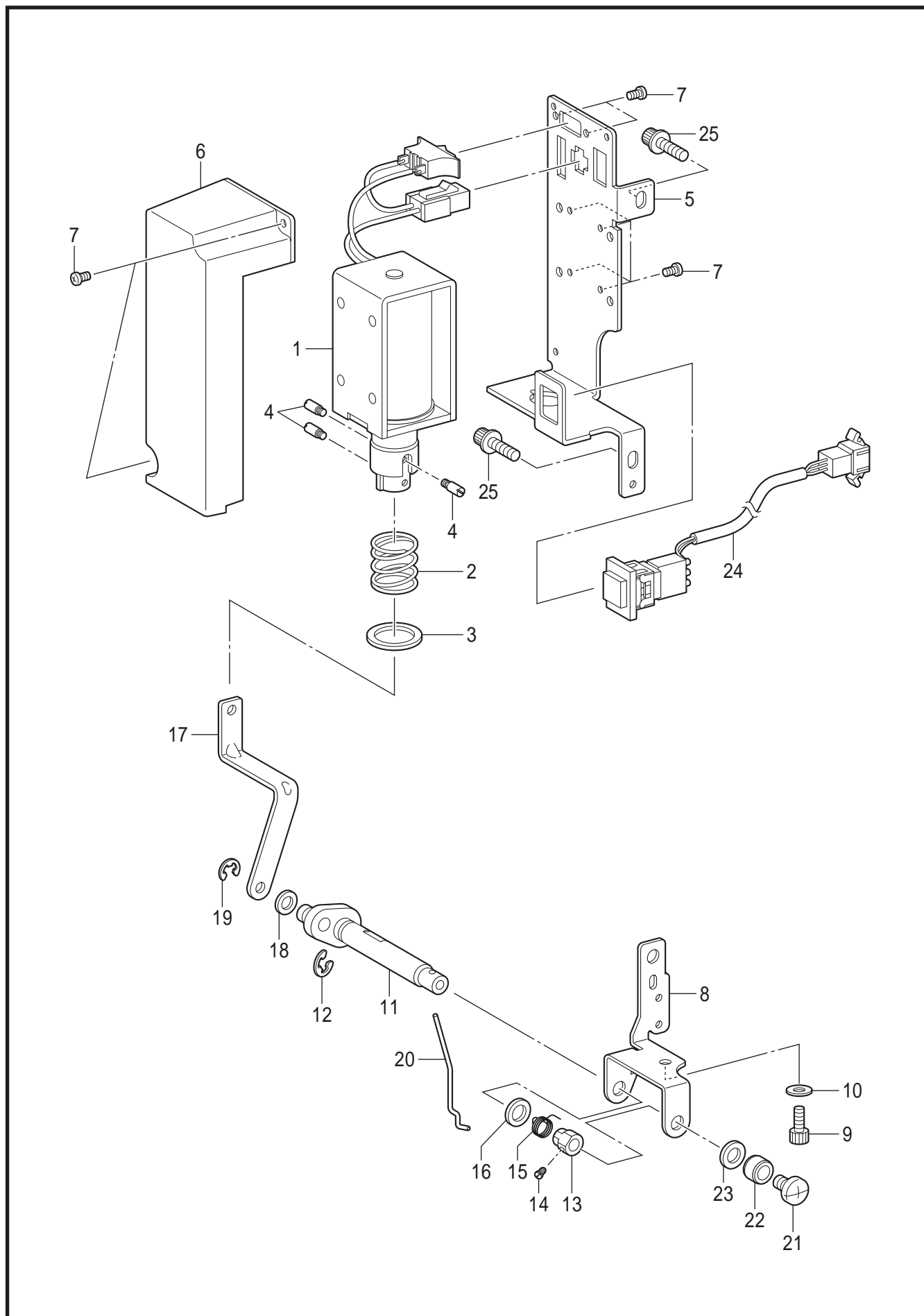
J .Thread trimmer mechanism



J. Thread trimmer mechanism

57	SA5157001	1		
58	SA3330101	1		
59	SA4518001	1		
60	SA4519001	1		
61	S00705001	1		
62	SA6397001	1		
62	SA3334001	1		
62	SA6398001	1		
63	SA3335001	1		
64	062300416	2		
65	025030236	2		
66	* P. 66	1		
67	100360003	2		
68	S25310101	2		
69	SA3538001	2		
70	SA6273001	1		
71	028030246	2		
72	025030236	2		
73	062300416	2		

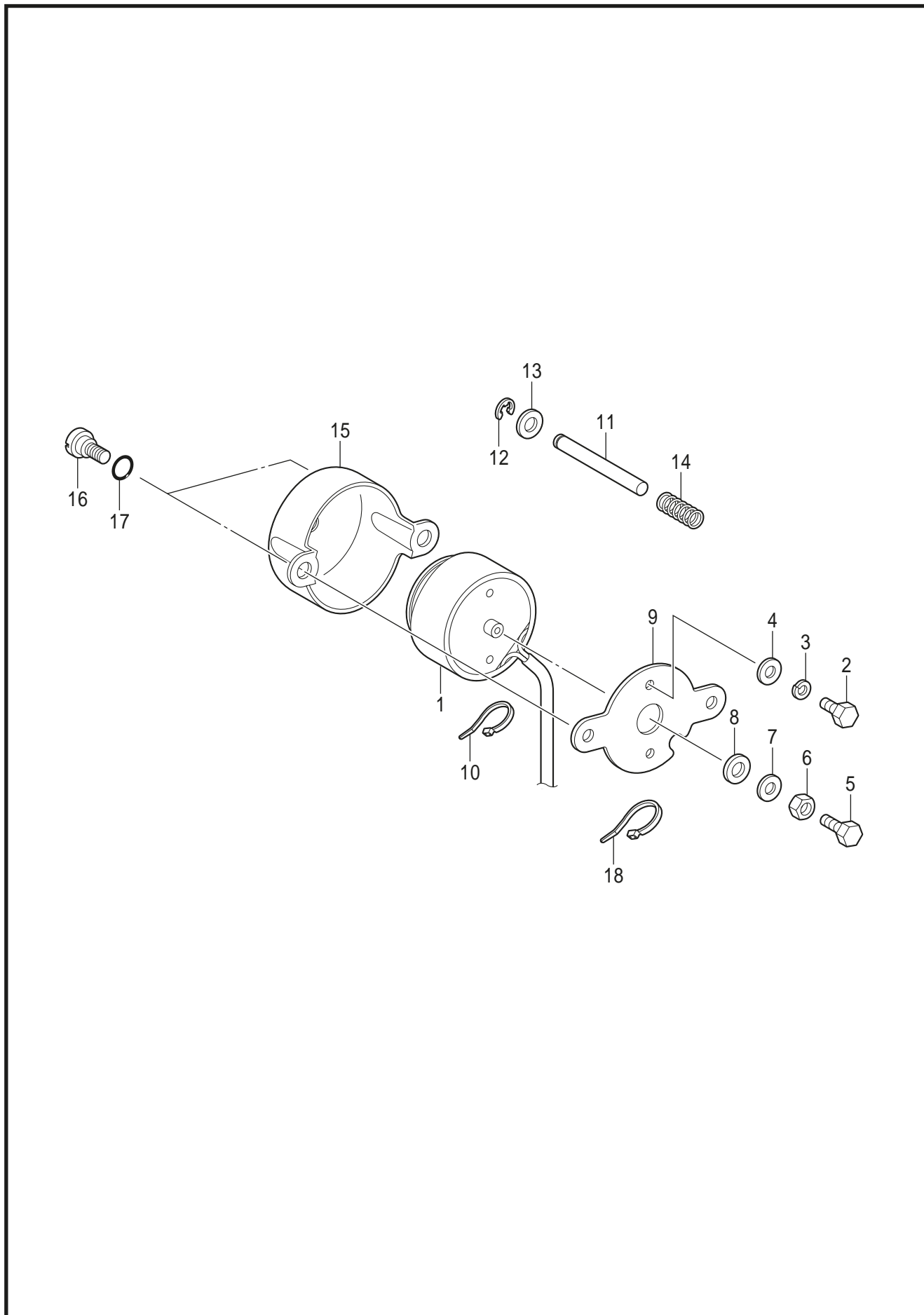
K .Thread wiper mechanism



K. Thread wiper mechanism

1	SA5208001	1		
2	S41206001	1		
3	S41205001	1		
4	S25456001	3		
5	SA5217001	1		
6	SA4806001	1		
7	062300616	8		
8	SA5218001	1		
9	018400836	1		
10	025040236	1		
11	SA1967001	1		
12	048040342	1		
13	S25454001	1		
14	S25279001	1		
15	SA2287001	1		
16	149097000	1		
17	SA5219001	1		
18	110735001	1		
19	048030342	1		
20	S10470101	1		
21	060400516	1		
22	146288001	1		
23	S03677001	1		
24	SA5213001	1		
25	S55485001	2		

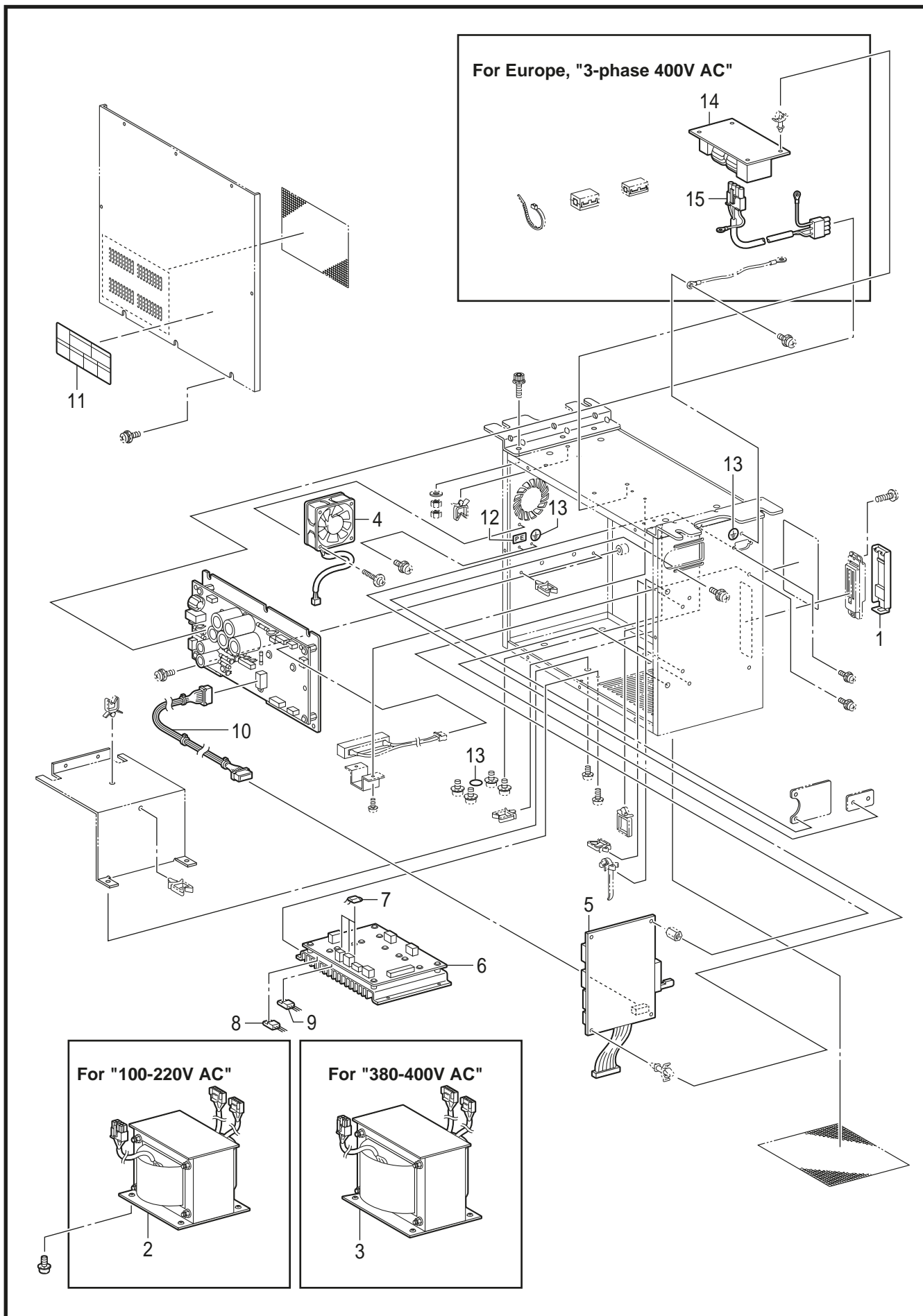
L .Tension release mechanism



L. Tension release mechanism

1	SA4855001	1		
2	017400802	2		
3	028040246	2		
4	025040236	2		
5	017401415	1		
6	021400306	1		
7	102707002	1		
8	154599000	1		
9	SA6389001	1		
10	S04159000	1		
11	SA3347001	1		
12	048040342	1		
13	025050236	1		
14	SA3348001	1		
15	SA3349001	1		
16	SA3306001	2		
17	081007070	2		
18	218859001	1		

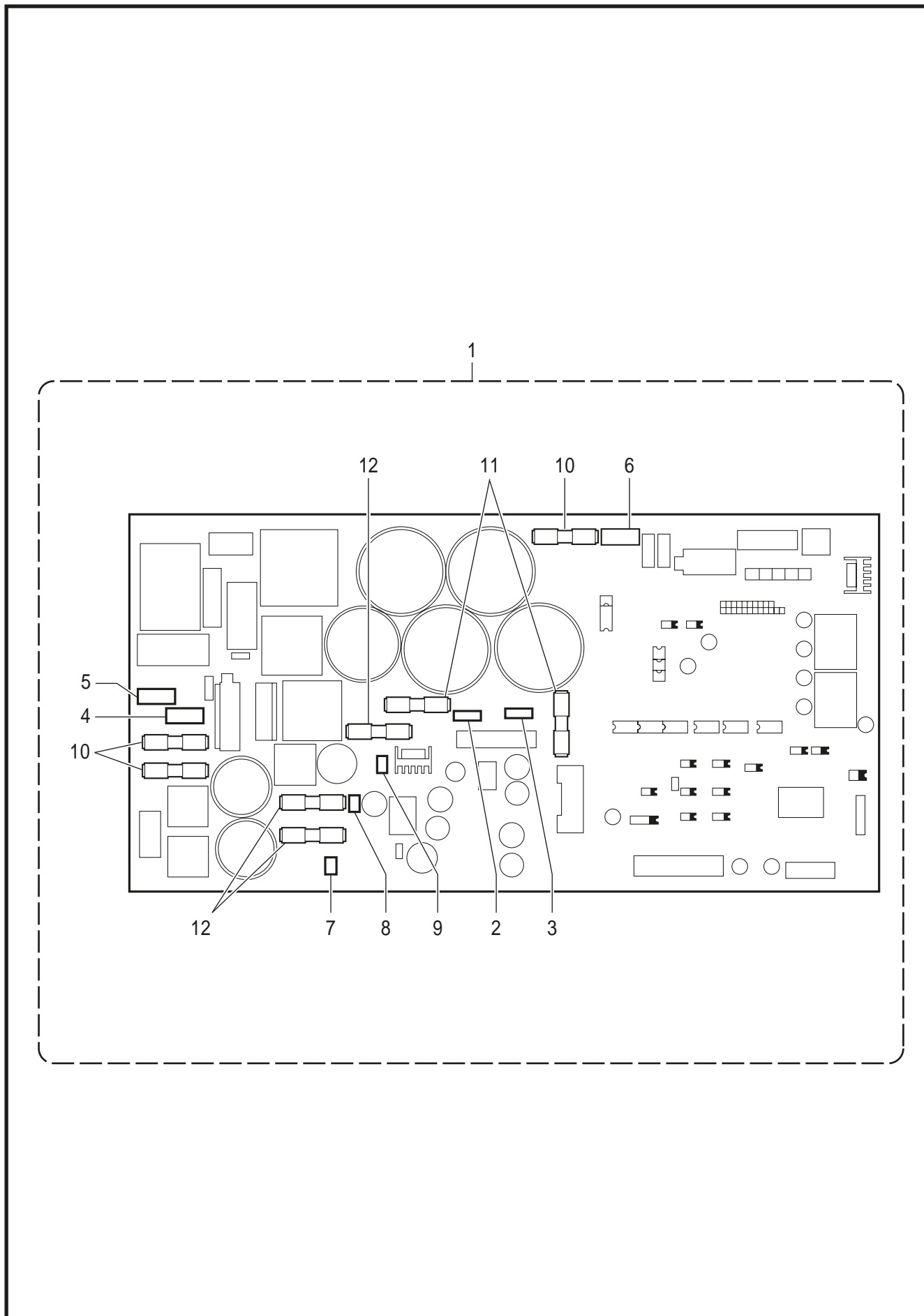
M1 .Control box mechanism



M1. Control box mechanism

1	SA6364001	1		
2	SA3720001	1		
3	SA3808001	1		
4	SA3797001	1		
5	SA4556001	1		
6	SA3739301	1		
7	SA3744001	3		
8	SA3722001	1		
9	S49484000	1		
10	SA3806001	1		
11	J04115001	1		
12	537060001	1		
13	S37059001	3		
14	SA3581001	1		
15	SA3796001	1		

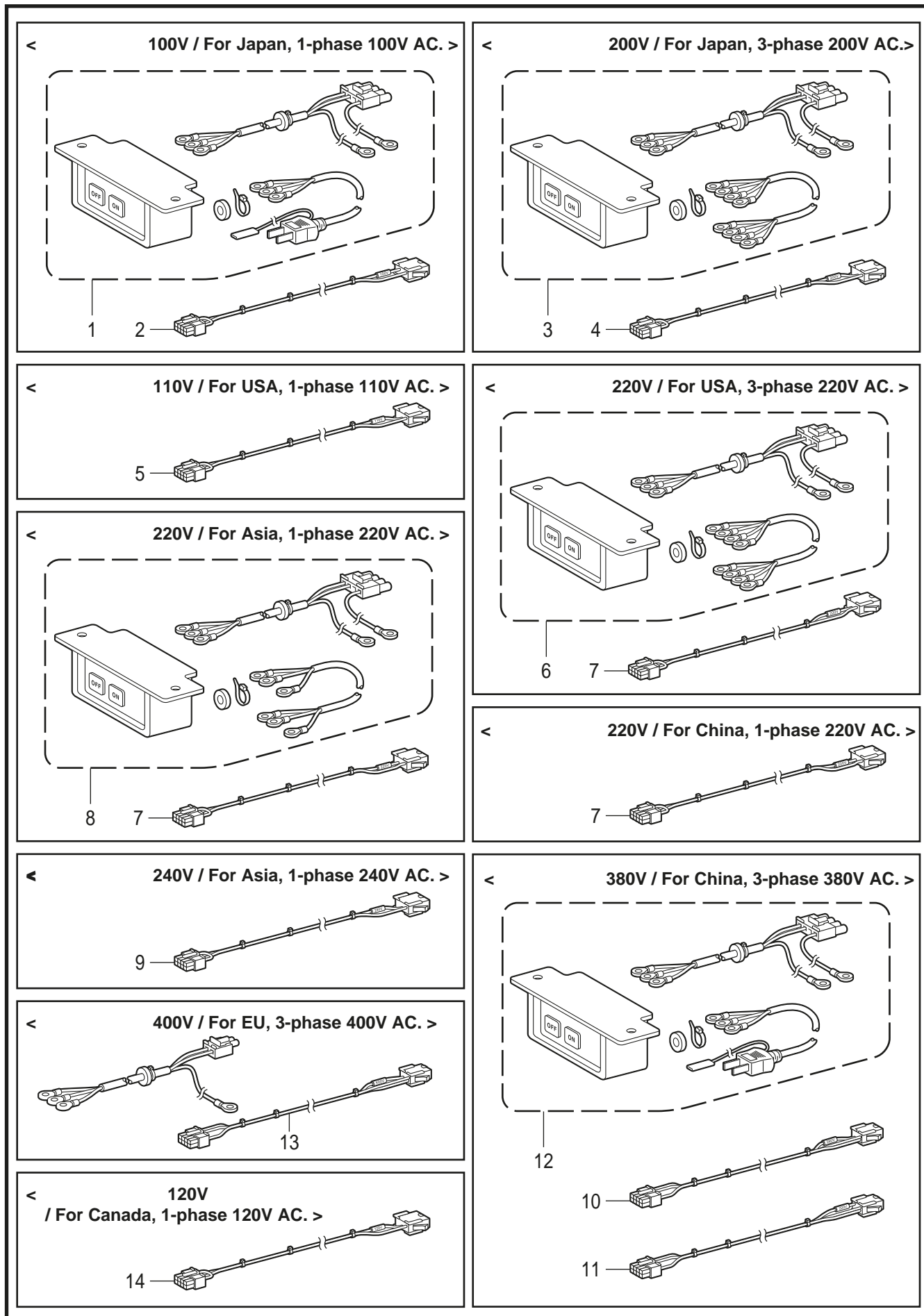
M2 . Control box (PCB) mechanism



M2. Control box (PCB) mechanism

1	SA3755201	1		
2	SA3765001	1		
3	SA3766001	1		
4	SA3767001	1		
5	SA3762001	1		
6	SA3768001	1		
7	SA3769001	1		
8	SA3770001	1		
9	SA3771001	1		
10	SA3794001	3		
11	SA3795001	2		
12	616167001	3		

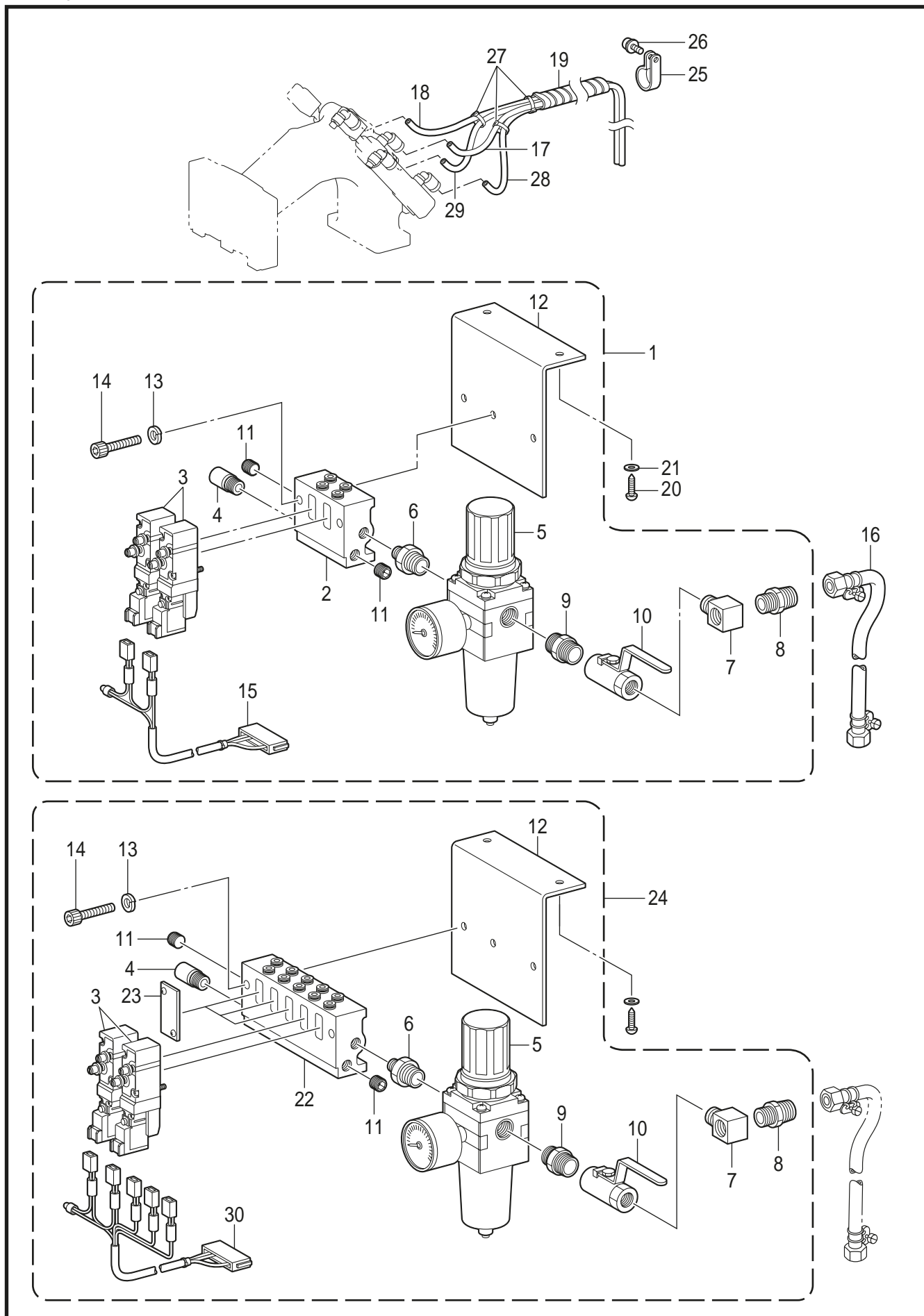
N . Power switch mechanism



N. Power switch mechanism

1	SA3813001	1		
2	SA3822001	1		
3	SA3819001	1		
4	SA3825001	1		
5	SA3823001	1		
6	SA3816001	1		
7	SA3812001	1		
8	SA3809001	1		
7	SA3812001	1		
9	SA3826001	1		
7	SA3812001	1		
10	SA3827001	1		
11	SA3789101	1		
12	SA4510001	1		
13	SA3828001	1		
14	SA3824001	1		

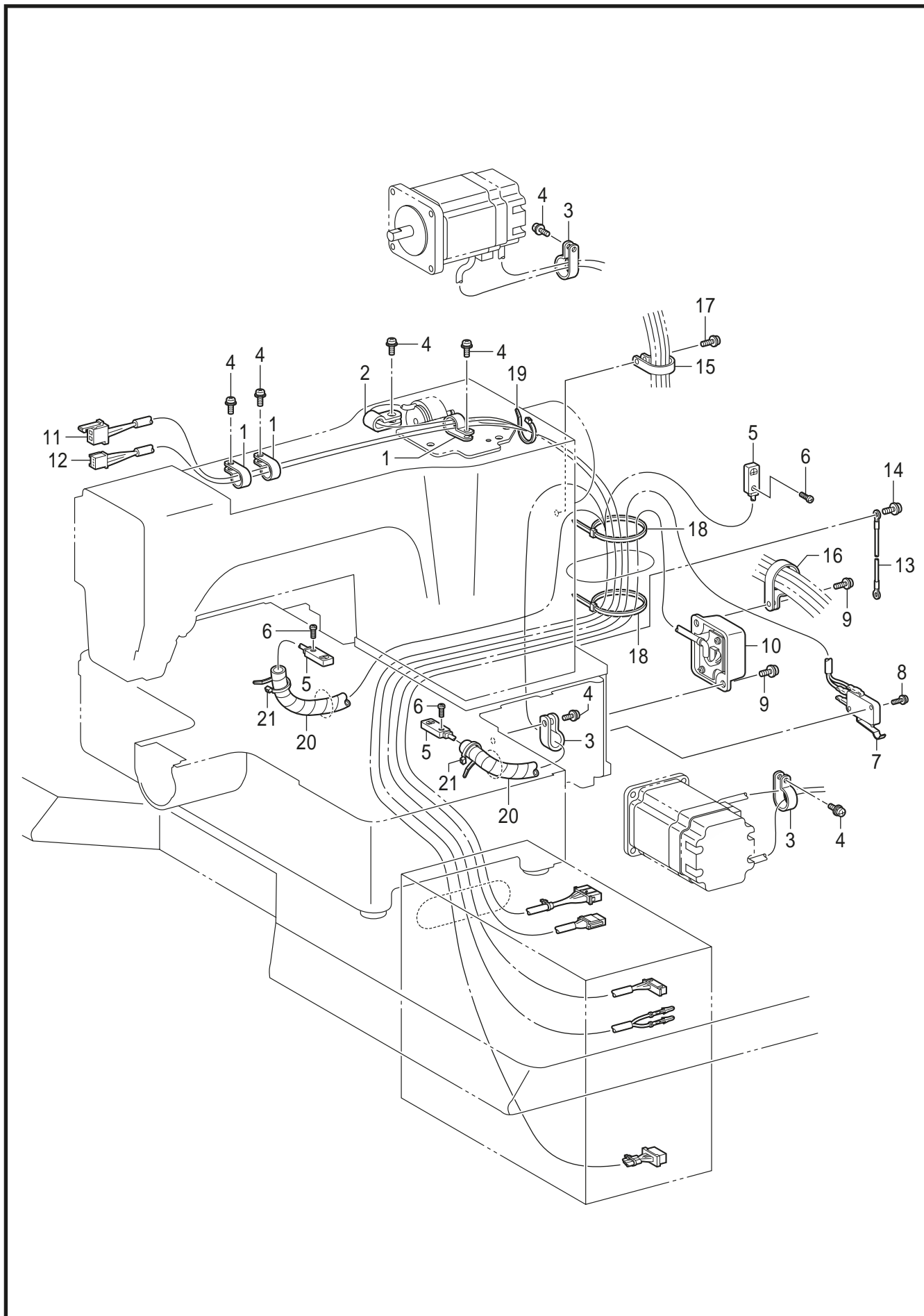
P . Air pressure mechanism



P. Air pressure mechanism

1	SA5281001	1		
2	SA5289001	1		
3	S39116100	2		
4	SA5283001	1		
5	SA5282001	1		
6	S09228000	1		
7	153252000	1		
8	S04891000	1		
9	SA5285001	1		
10	SA6573001	1		
11	153274001	2		
12	SA5286001	1		
13	028050246	2		
14	018503036	2		
15	SA5191001	1		
16	149796001	1		
17	SA6405001	1		
18	SA6406001	1		
28	SA6405002	1		
29	SA6406002	1		
19	SA6407001	1		
20	032422003	2		
21	148847001	2		
25	525664000	1		
26	0A5401005	1		
27	228475000	3		
24	SA5288001	1		
22	SA5290001	1		
23	S53982000	3		
3	S39116100	2		
4	SA5283001	1		
5	SA5282001	1		
6	S09228000	1		
7	153252000	1		
8	S04891000	1		
9	SA5285001	1		
10	SA6573001	1		
11	153274001	2		
12	SA5286001	1		
13	028050246	2		
14	018503036	2		
30	SA5192001	1		

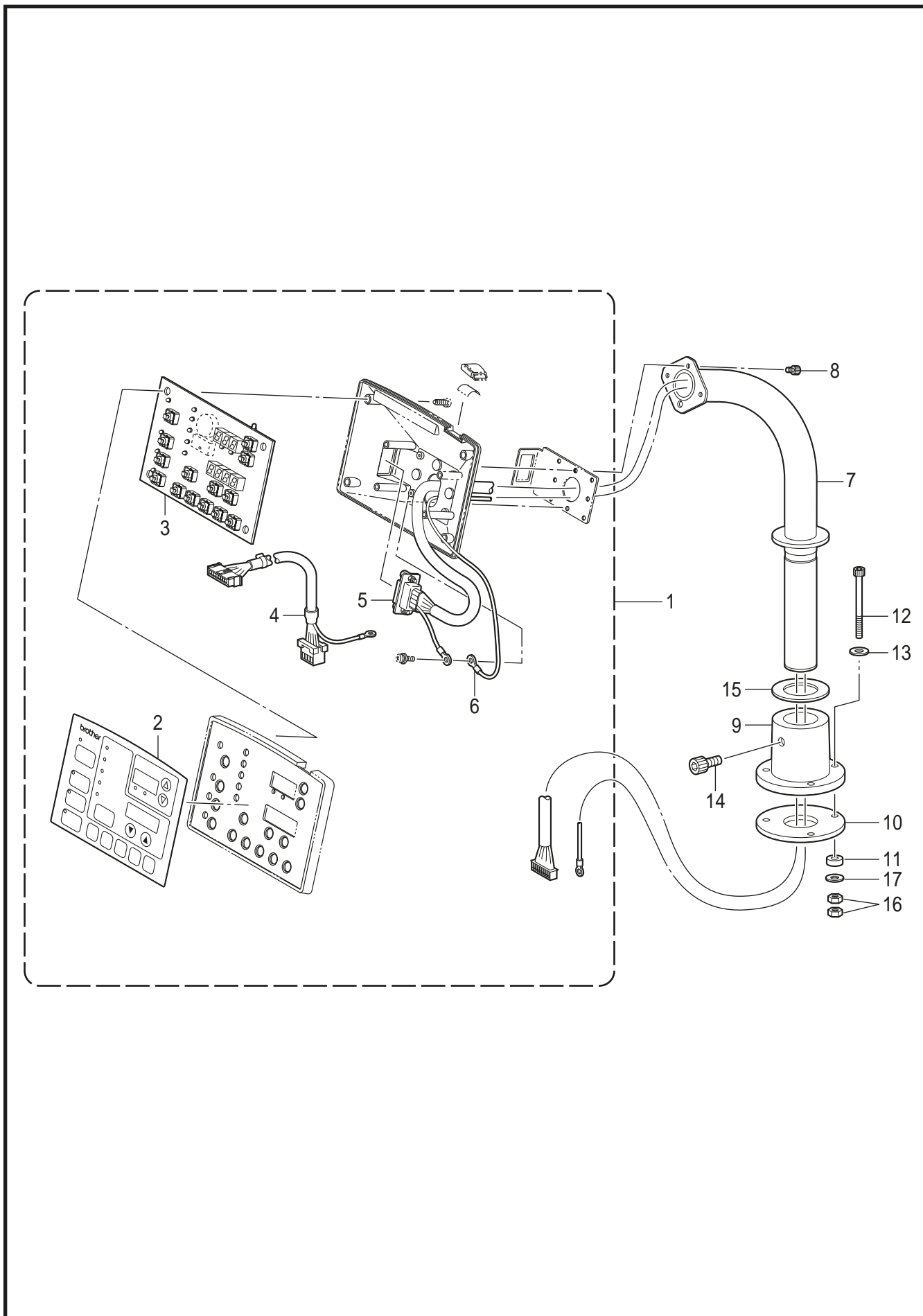
Q .Power supply equipment mechanism



Q. Power supply equipment mechanism

1	525567000	3		
2	149547000	1		
3	149287000	3		
4	0A5401006	7		
5	SA4830001	1		
6	062300816	3		
7	SA3481001	1		
8	0A5301605	2		
9	0A5401006	2		
10	SA4824001	1		
11	SA5210001	1		
12	SA5214001	1		
13	SA5261001	1		
14	0A5401006	1		
15	554482000	1		
16	S00470000	1		
17	0A5401006	2		
18	218859001	2		
19	S04159000	1		
20	SA6560101	2		
21	S04159000	2		

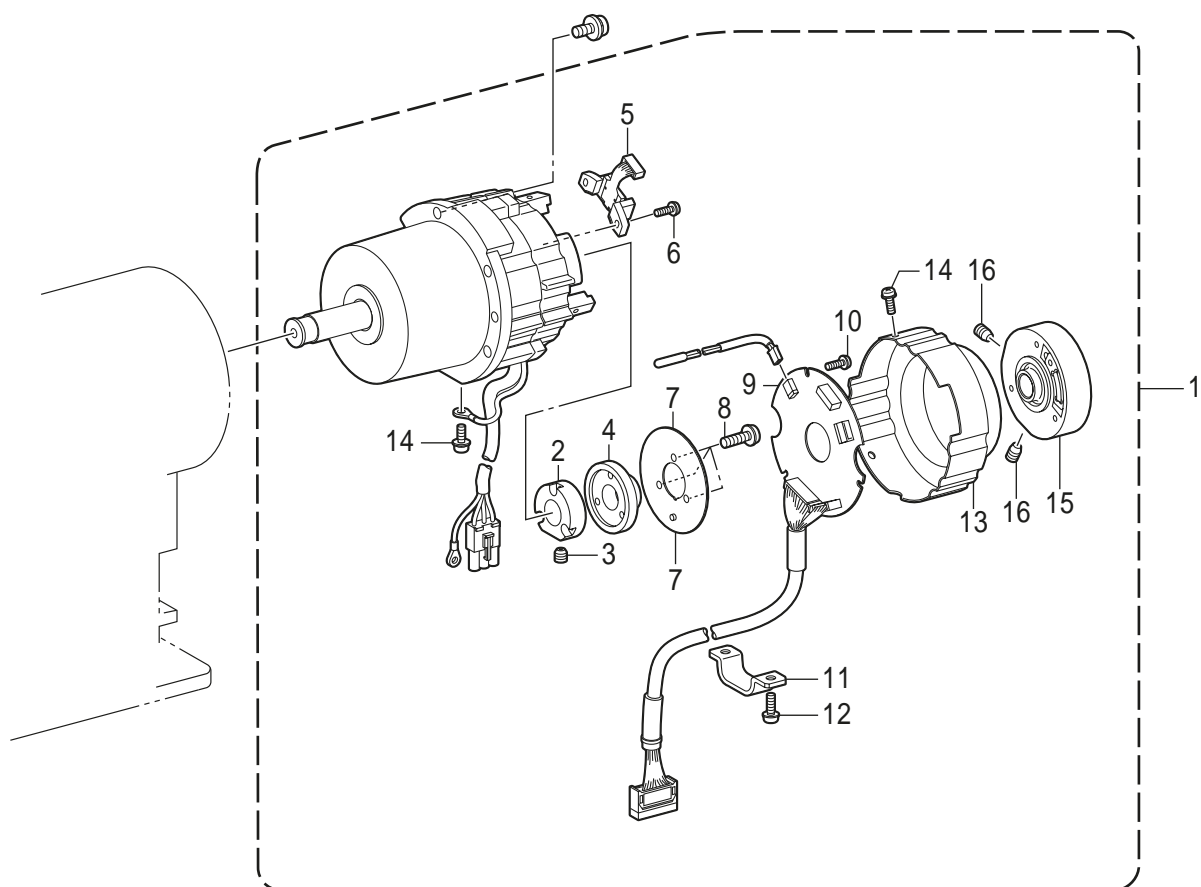
R . Operation panel mechanism



R. Operation panel mechanism

1	SA4834001	1		
2	SA3831001	1		
3	SA3833101	1		
4	SA4563001	1		
5	SA4837001	1		
6	SA4841001	1		
7	SA4836001	1		
8	018400636	3		
9	S43236009	1		
10	S43674000	1		
11	S43675000	3		
12	S25634101	3		
13	025050236	3		
14	018081636	1		
15	S10408000	1		
16	021500106	6		
17	025050336	3		

S .Motor mechanism

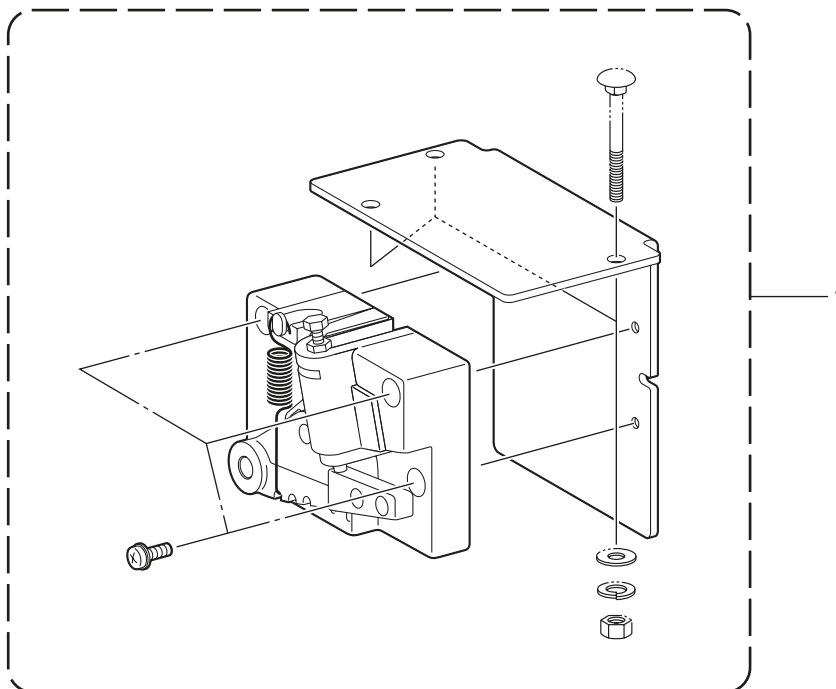


S. Motor mechanism

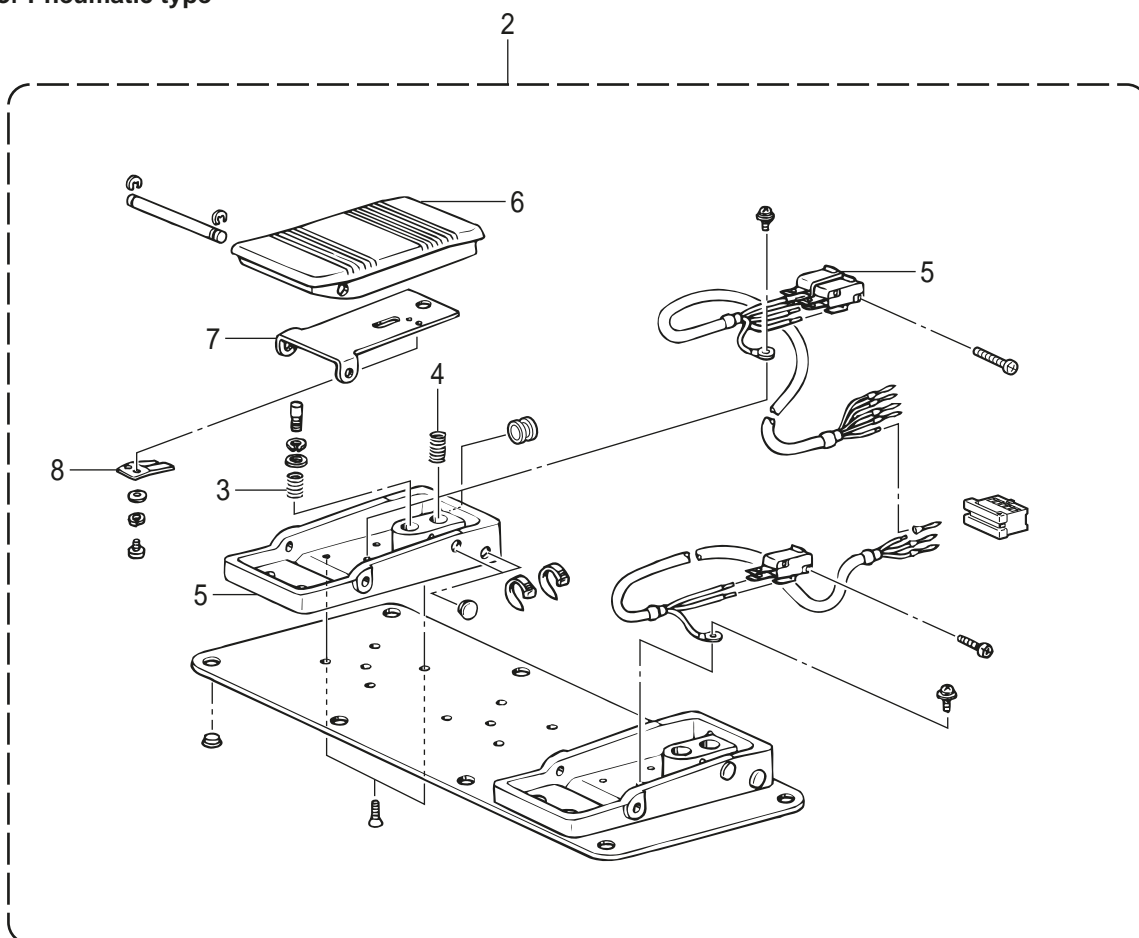
1	J80991001	1			
2	J03955001	1			
3	014400632	1			
4	J03956001	1			
5	J03957001	1			
6	0A4300805	1			
7	J03958001	1			
8	0A4261005	3			
9	J04488001	1			
10	0A5300606	3			
11	J04230001	1			
12	0A4401005	3			
13	J04388001	1			
14	0A4300805	3			
15	J04303001	1			
16	014500632	2			

T .Foot switch pedal mechanism

For solenoid type



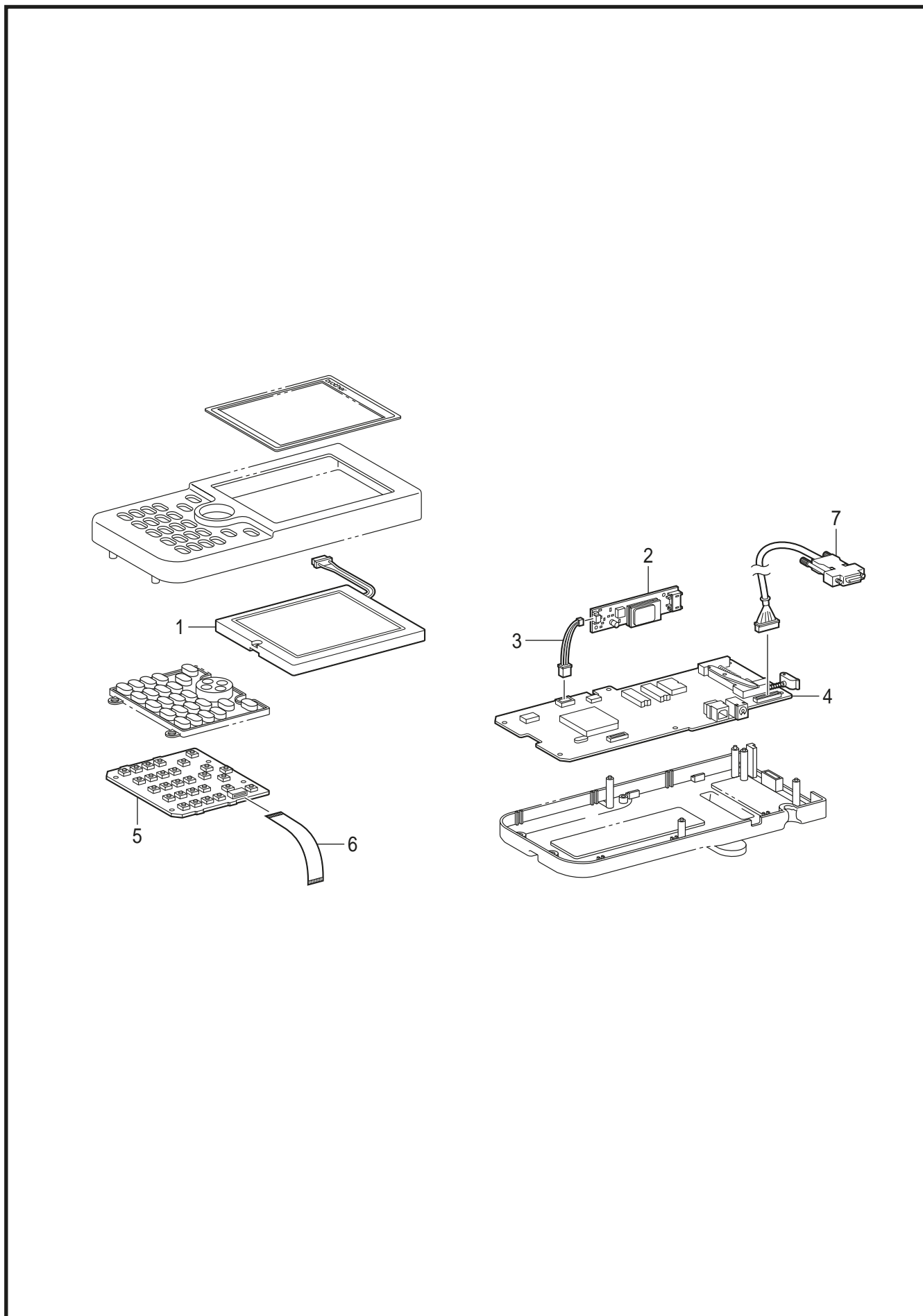
For Pneumatic type



T. Foot switch pedal mechanism

1	SA3519101	1		
2	SA6038001	1		
3	S38168001	1		
4	S38170001	2		
5	S36260000	3		
6	S38174000	2		
7	S38175001	2		
8	S38176101	2		

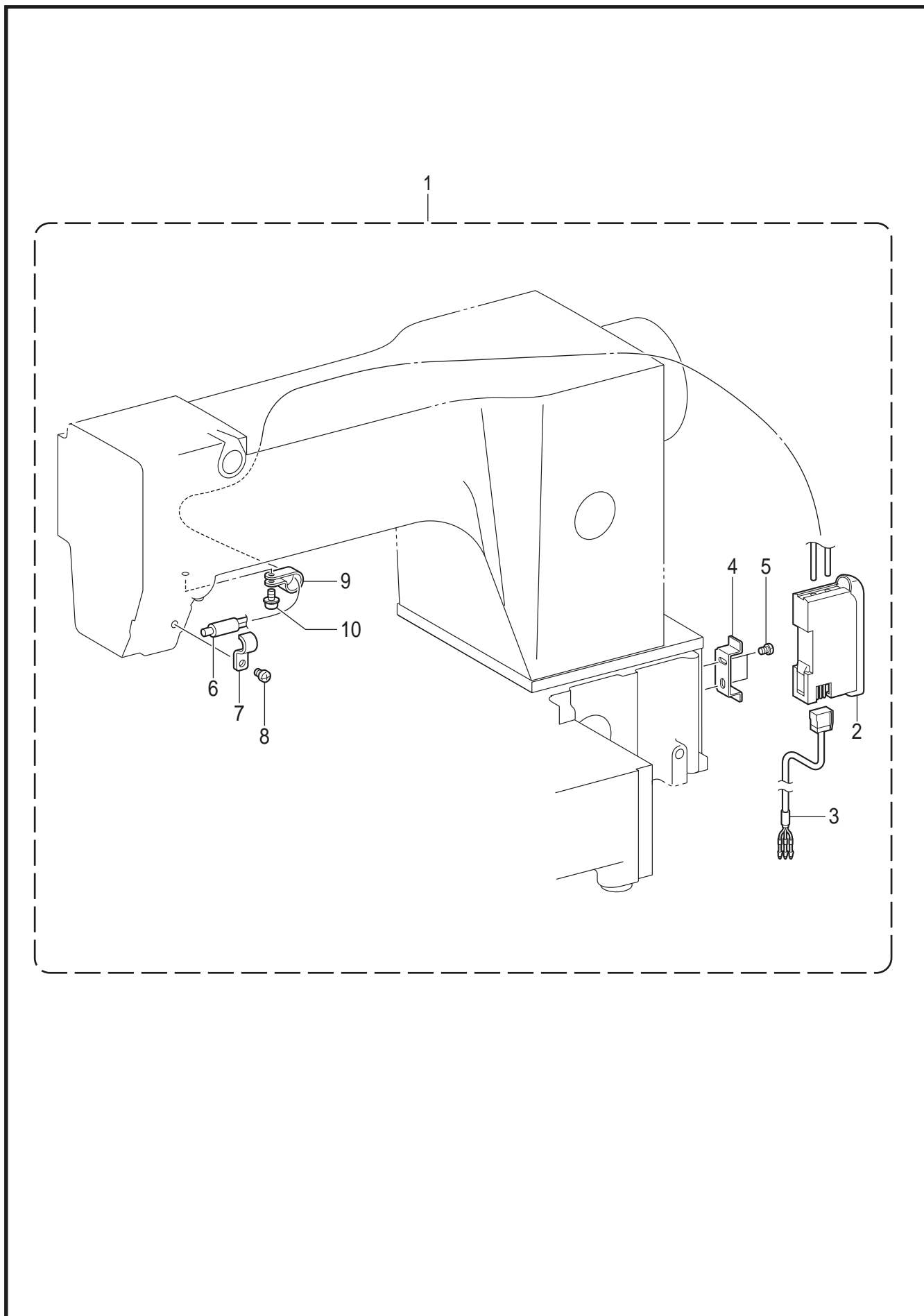
U .Programmer



U. Programmer

1	SA5164001	1		
2	SA5165001	1		
3	SA5166001	1		
4	SA5170001	1		
5	SA5172001	1		
6	SA5168001	2		
7	SA5167001	1		

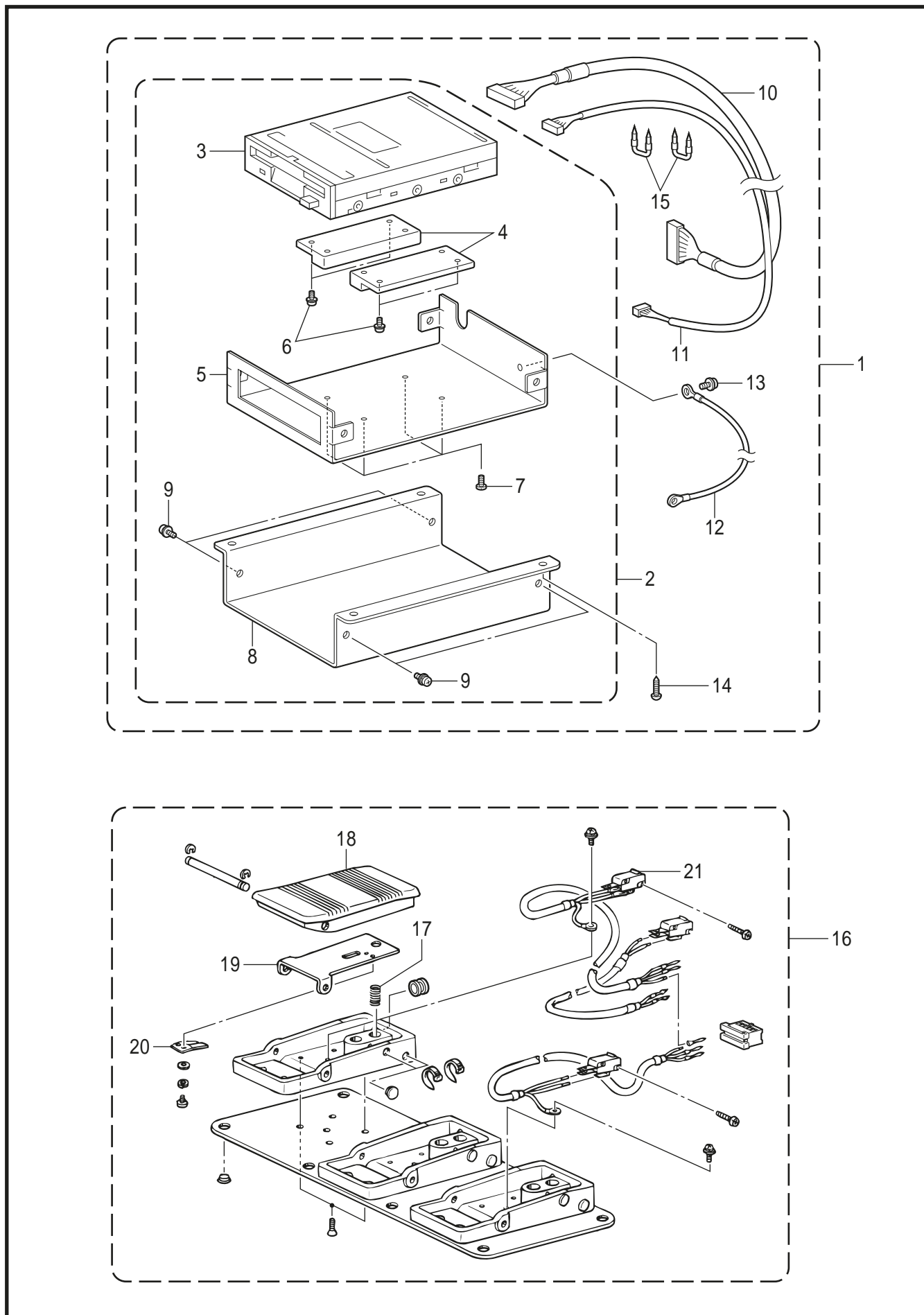
V1 .Attachment set (Option parts)



V1. Attachment set (Option parts)

1	SA5193001	1		
2	SA4816001	1		
3	SA4817001	1		
4	SA4818001	1		
5	062300616	2		
6	SA4819001	1		
7	SA5194001	1		
8	062500616	1		
9	625010000	1		
10	0A5401006	1		
1	SA51930E1	1		
2	SA48160E1	1		
3	SA4817001	1		
4	SA4818001	1		
5	062300616	2		
6	SA4819001	1		
7	SA5194001	1		
8	062500616	1		
9	625010000	1		
10	0A5401006	1		

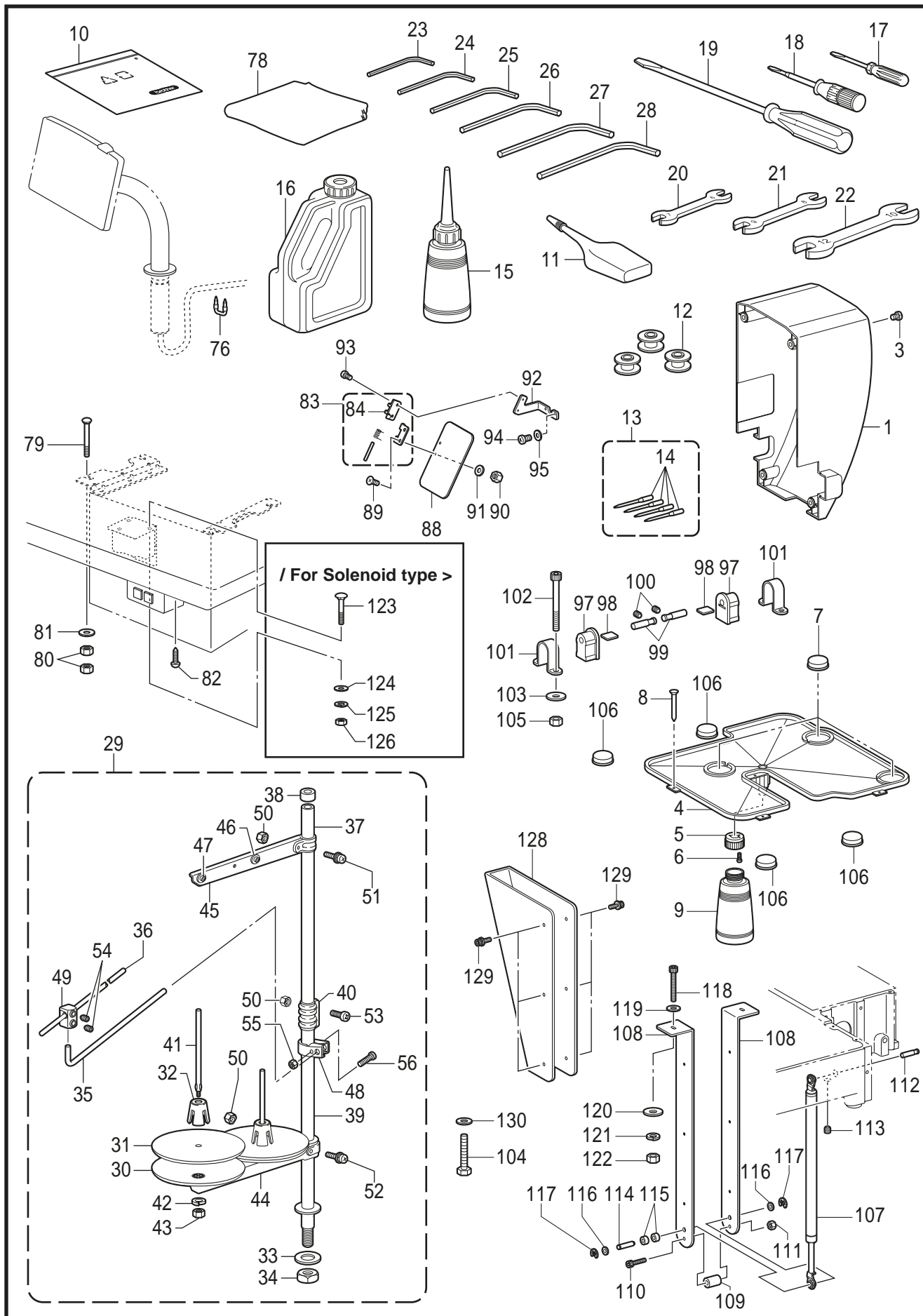
V2 . Attachment set (Option parts)



V2. Attachment set (Option parts)

1	SA5201001	1
2	SA5202001	1
3	SA6628001	1
4	S43225000	2
5	SA5203001	1
6	0A4300605	4
7	037300816	4
8	SA5204001	1
9	0A4300805	4
10	SA5205001	1
11	SA5206001	1
12	SA5134001	1
13	0A4300805	1
14	032421302	4
15	200190001	2
1	SA52010E1	1
2	SA52020E1	1
3	SA6628001	1
4	S43225000	2
5	SA5203001	1
6	0A4300605	4
7	037300816	4
8	SA5204001	1
9	0A4300805	4
10	SA5205001	1
11	SA5206001	1
12	SA5134001	1
13	0A4300805	1
14	032421302	4
15	200190001	2
16	SA6495001	1
17	S38170001	3
18	S38174000	3
19	S38175101	3
20	S38176101	3
21	S36260000	1
16	SA64950E1	1
17	S38170001	3
18	S38174000	3
19	S38175101	3
20	S38176101	3
21	S36260000	1

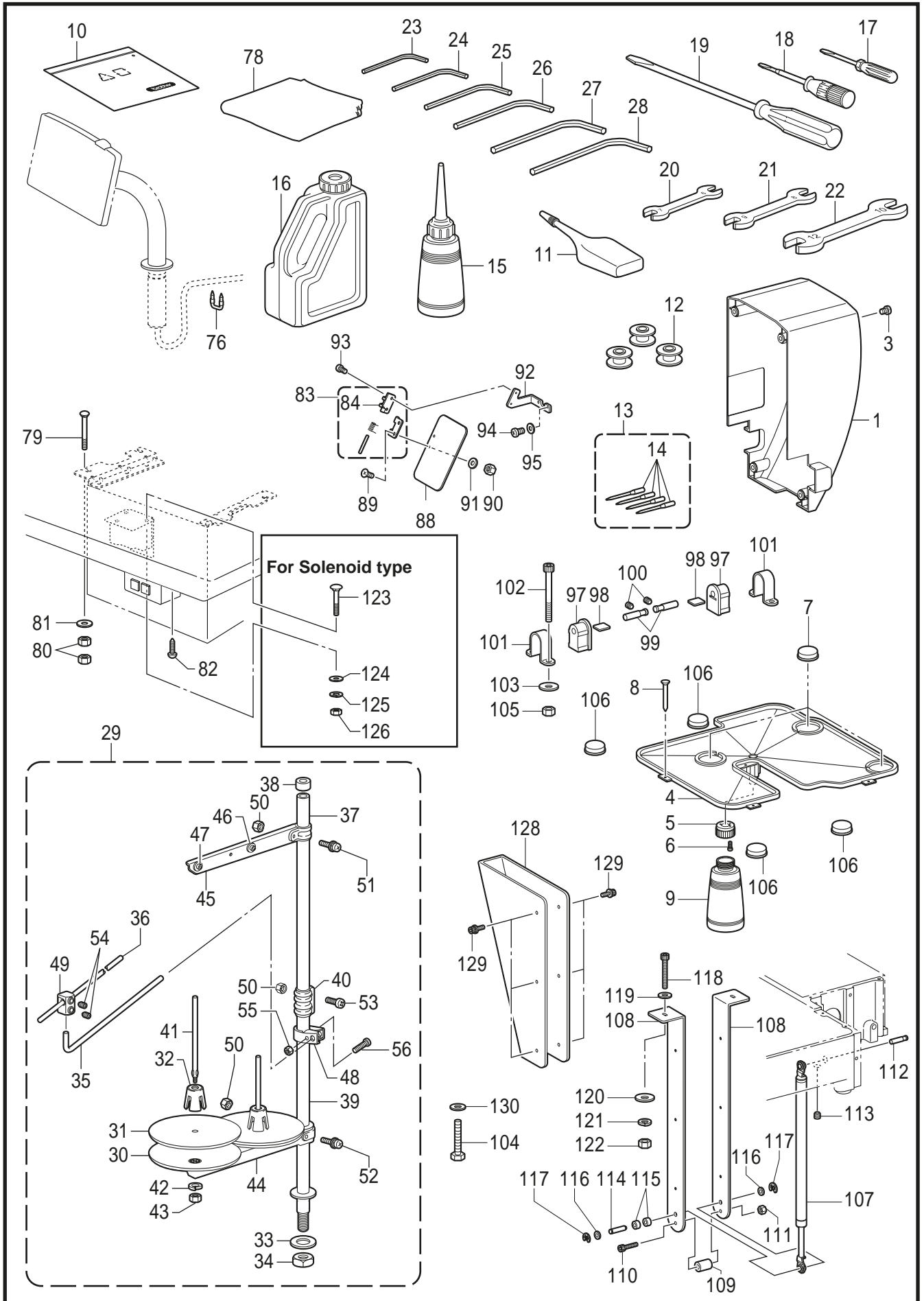
Z .Accessories



Z. Accessories

1	SA4842001	1		
3	062061016	4		
4	SA4844001	1		
5	154467001	1		
6	037301215	2		
7	SA3540001	3		
8	109714000	7		
9	114486002	1		
10	122991001	1		
11	S06706001	1		
12	S44633001	3		
13	* P. 67	1		
14	* P. 67	4		
15	114483002	1		
16	S55663001	1		
17	142443001	1		
18	118837001	1		
19	101572102	1		
20	107779001	1		
21	100887001	1		
22	107780001	1		
23	S07783001	1		
24	142002001	1		
25	154125001	1		
26	142721001	1		
27	118064001	1		
28	150335001	1		
29	S40574209	1		
30	S51283001	2		
31	150182000	2		
32	S51282101	2		
33	150206002	1		
34	S38648001	1		
35	S04109001	1		
36	142997001	1		
37	150172003	1		
38	150174000	1		
39	156112003	1		
40	150173003	1		
41	150179002	2		
42	028050246	2		
43	021500106	2		
44	S02778002	1		
45	S02787002	1		
46	150183000	2		
47	142990001	2		
48	150185009	1		
49	138843001	1		
50	021500106	4		
51	S37038001	1		
52	S37037001	1		
53	062501406	2		
54	014060632	2		
55	021500106	1		
56	S37037001	1		







Z .Accessories













Z. Accessories

76	200190001	7		
78	144226001	1		
79	S36007001	4		
80	021080106	8		
81	025080336	4		
82	032461606	2		
83	S44483001	1		
84	S44484001	1		
88	S44485001	1		
89	061300816	2		
90	021300106	2		
91	026030236	2		
92	SA4104001	1		
93	062300506	2		
94	062400616	2		
95	026040136	2		
97	SA3395001	2		
98	SA3392001	2		
99	SA3384001	2		
100	012060636	2		
101	SA3385001	2		
102	018065036	4		
103	213650001	4		
104	017066002	1		
105	021060106	4		
106	SA3540001	4		
107	SA4845001	1		
108	SA4846001	2		
109	SA5251001	1		
110	018064031	1		
111	021060106	1		
112	SA4847001	1		
113	012060636	1		
114	S17974001	1		
115	S17975100	2		
116	025080132	2		
117	048060342	2		
118	SA3387001	2		
119	025060236	2		
120	213650001	2		
121	028060246	2		
122	021060106	2		
123	119755001	3		
124	025060236	3		
125	028060246	3		
126	021060106	3		
128	SA6261001	1		
129	S55479001	6		
130	025060236	1		




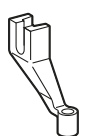
Wa. / Warning labels

Warning labels	/ Name of parts	Size(mm)	Code
	Label, elec. shock 6 lang	50 X 118	J04115-001
	Label, caution Jpn / Eng	52 X 84	SA0792-001
	Label, caution Chn / Eng	52 X 84	SA0793-001
	Mark, injury	L=25 R=1.2	S36924-002
	Label, grounding	φ 12	S37060-001
	Label, PE	7.5 X 12.5	S37059-001

Sp .Different parts list

Part name Spec.	Heavy-weight materials	Medium-weight materials
(J-66) Needle hole plate 	★ (φ2.4) SA3336-101	(φ2.2) SA5221-001
(E-35) Bobbin case assy 	S59221-201 < LC >	
(E-36) Tension spring 	S48664-001	
(E-37) Screw 	S16492-101	
(E-38) Anti-spin spring 	S15667-001	
(E-39) Bobbin 	S44633-001 < LAN >	
(E-42) Shuttle hook assy, w/box 	★ ☆ SA1890-201 < LG >	★ ☆ SA2173-201 < LF >
(E-34) Shuttle race base 	★ ☆ 152686-201 < B >	★ ☆ 152682-201 < A >
(G-30) Spring, tension 	★ ☆ 107606-101	★ ☆ 104525-101
(G-9) Thread take-up spring 	144588-201	★ ☆ 145519-201

Sp .Different parts list

Part name Spec.	Heavy-weight materials	Medium-weight materials
(G-28) Spring,tension 	SA4146-101 ★	
(G-20) Needle bar thread guide 	SA3257-101 < A > ★	
(Z-13) Needle assy	SA1645-019 ★ ☆	SA1752-016 ★ ☆
(B-32, Z-14) Needle 	DP×17 < #19 > 145646-019 ★ ☆	DP×5 < #16 > 107415-016 ★ ☆
(D-57) Presser foot 	SA4811-001 < H >	S42843-001 < A >

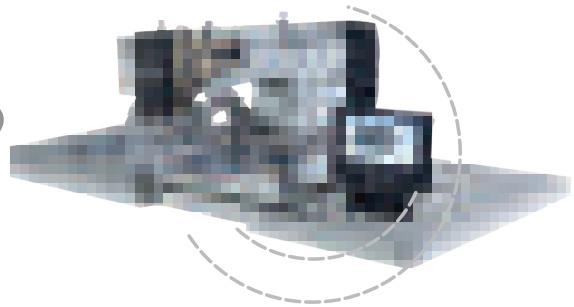
CATALOGO RICAMBI

SPARE PARTS LIST

LISTE DES PIÈCES

CATALOG PIESE DE SCHIMB

v. 04-2022



N220-100



Via Alpi, 149, 151, 153
Zona industriale Villa Luciani
63812 Montegranaro (FM) Italy
Phone: +39.0734.890103 - 890912
Fax: +39.0734.890154

www.bramac.it
e-mail: bramac@bramac.it