



MB10



OFFICINA MECCANICA SAGITTA S.p.A.
Corso Novara, 163 - 27029 VIGEVANO - ITALY
Tel. +39 0381 75701 / 2 Fax +39 0381 82771
Web: <http://www.sagitta.it>
e-mail: info@sagitta.it



MB 10

CATALOGO RICAMBI

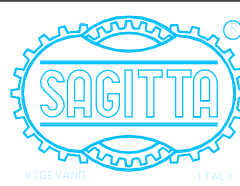
SPARE PARTS CATALOGUE – CATALOGUE DES PIÈCES DATACHÉES –
ERSATZTEILE KATALOG – CATÁLOGO PEÇAS DE SUBSTITUIÇÃO

CATALOGO n° 7004

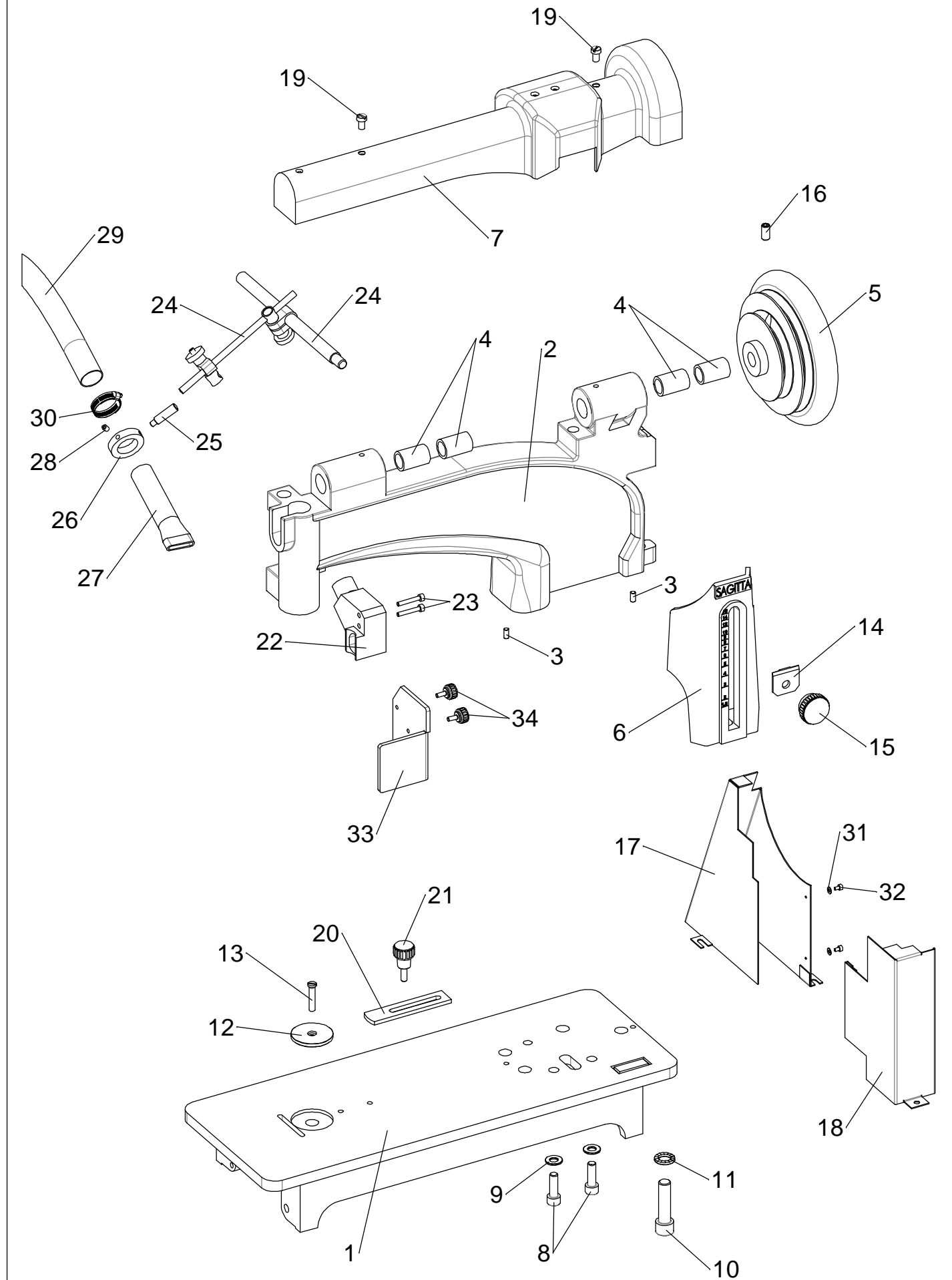
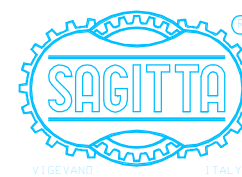
MATRICOLA n° 5639

SAGITTA

OFFICINA MECCANICA S.p.A. – Corso Novara, 163 – 27029 VIGEVANO – (ITALY)
Tel. +39 0381 75701 / 2 Fax +39 0381 82771
Web: <http://www.sagitta.it> e-mail: info@sagitta.it



Pos.	Codice	Q.tà	Note
1	5.2178.00	1	
2	5.4643.11	1	
3	6.4874.50	2	
4	6.0161.00	4	
5	5.0017.00	1	
6	5.0034.00	1	
7	5.0055.00	1	
8	6.6200.87	2	Bc825
9	6.6160.06	2	Rb8
10	6.6201.34	3	Bc1255
11	6.6198.09	3	
12	5.7890.00	1	Nylon
12	5.0039.00	1	Ottone - Brass
13	5.1954.00	1	
14	5.0038.00	1	
15	6.4491.03	1	
16	6.6100.58	1	Gp816
17	5.8366.00	1	
18	5.8920.00	1	
19	6.6241.73	2	
20	5.0078.10	1	
21	6.4491.15	1	
22	5.7840.00	1	
23	6.6200.29	2	Bc425
24	6.3552.24	1	
25	9.2233.00	1	
26	9.2232.00	1	
27	9.2231.00	1	
28	6.6100.24	1	Gp56
29	7.8517.55	1	
30	6.3551.02	1	
31	6.6160.01	2	RB 3
32	6.6200.02	2	
33	5.8990.01	1	
34	6.4491.16	2	



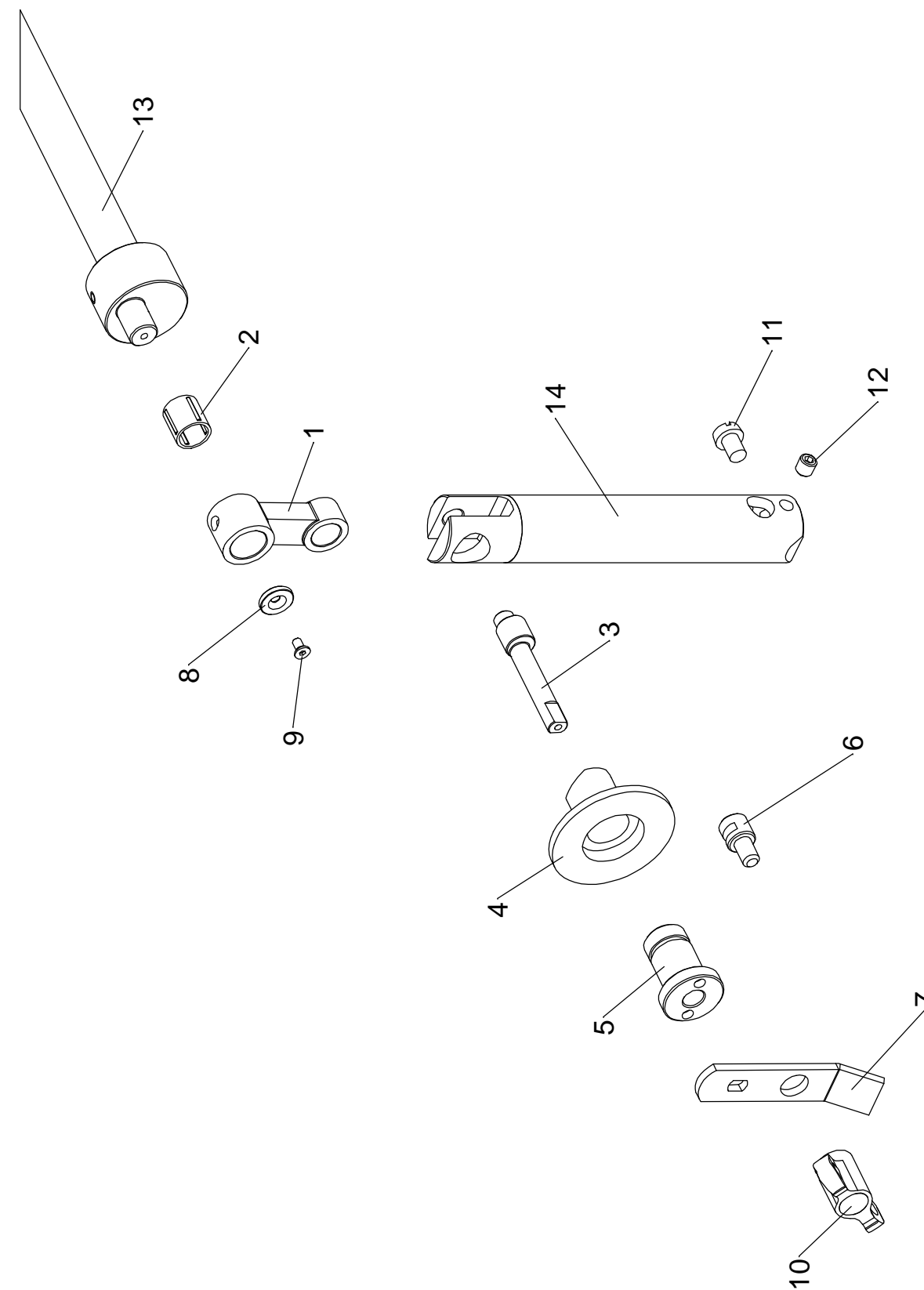
MB10



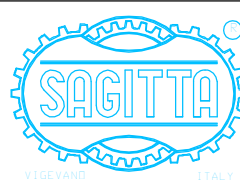
Pos.	Codice	Q.tà	Note
1	5.0002.00	1	
2	6.0600.09	1	
3	5.0003.00	1	
4	5.0005.00	1	
5	5.0004.00	1	
6	5.0007.00	1	
7	5.0006.00	1	
8	5.6509.00	1	
9	6.6205.03	1	Bs36
10	6.4491.63	1	
11	6.6241.72	1	
12	6.6100.38	1	Gp66
13	4.0060.01	1	
14	4.0391.00	1	



MB10



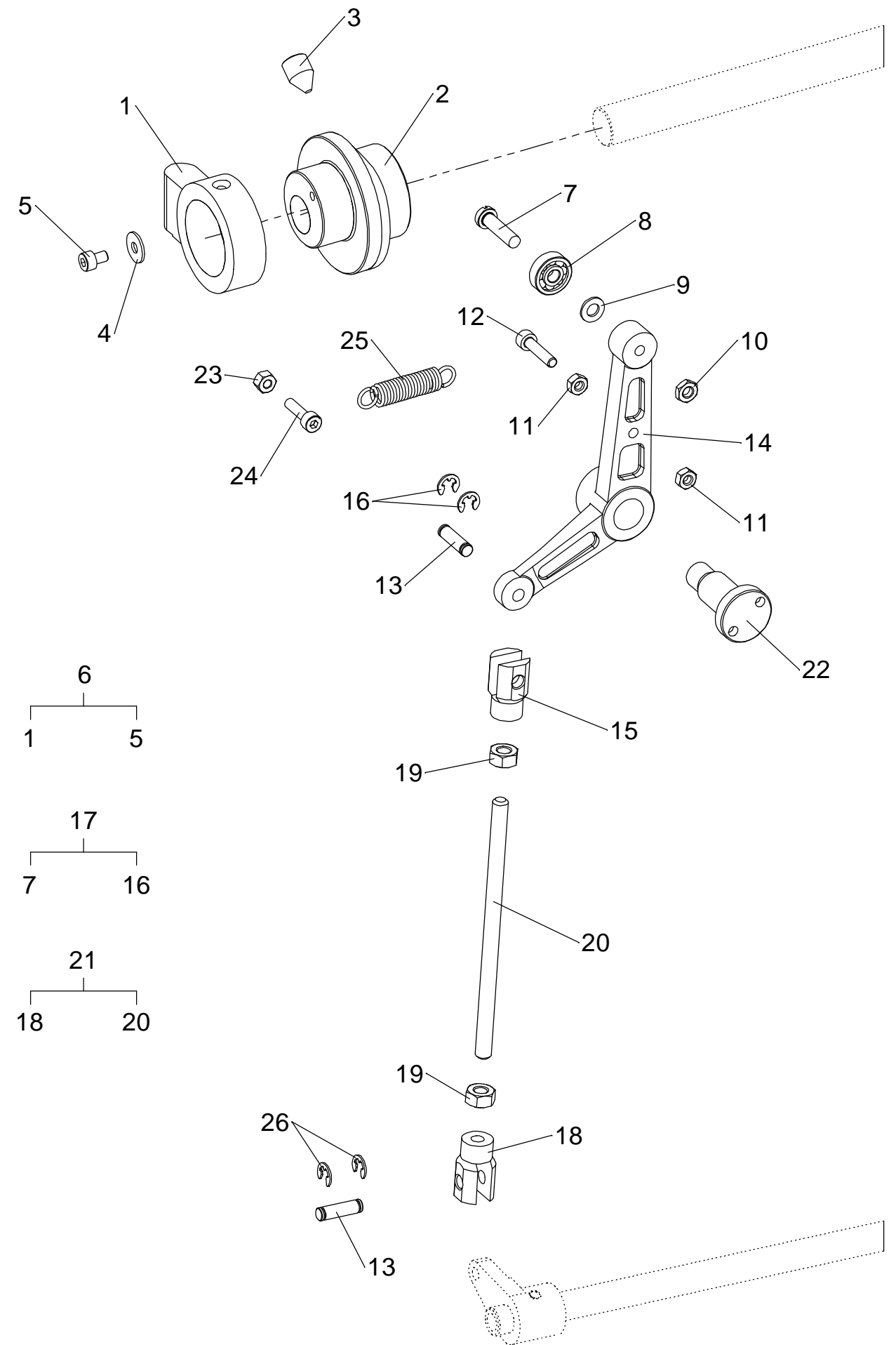
MB10 / S



Pos.	Codice	Q.tà	Note
1	5.0031.10	1	
2	5.0016.00	1	
3	5.0019.00	1	
4	6.6160.81	1	Rb412
5	6.6200.21	1	Bc46
6	4.0387.00	1	
7	6.6241.61	1	
8	6.0525.56	1	
9	6.6160.03	1	Rb5
10	6.5050.62	1	M5
11	6.5050.61	2	
12	6.6200.26	1	Bc418
13	5.2141.00	2	
14	5.0021.01	1	
15	5.0030.00	1	
16	6.0010.07	2	
17	4.0386.01	1	
18	5.0030.00	1	
19	6.5050.33	2	C6
20	5.0025.00	1	
21	4.0385.00	1	
22	5.0024.00	1	
23	6.5050.02	1	D4
24	6.6200.25	1	BB416
25	6.3763.00	1	
26	6.0010.07	2	



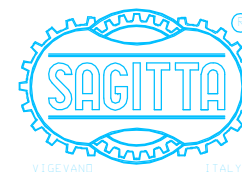
MB10 / S



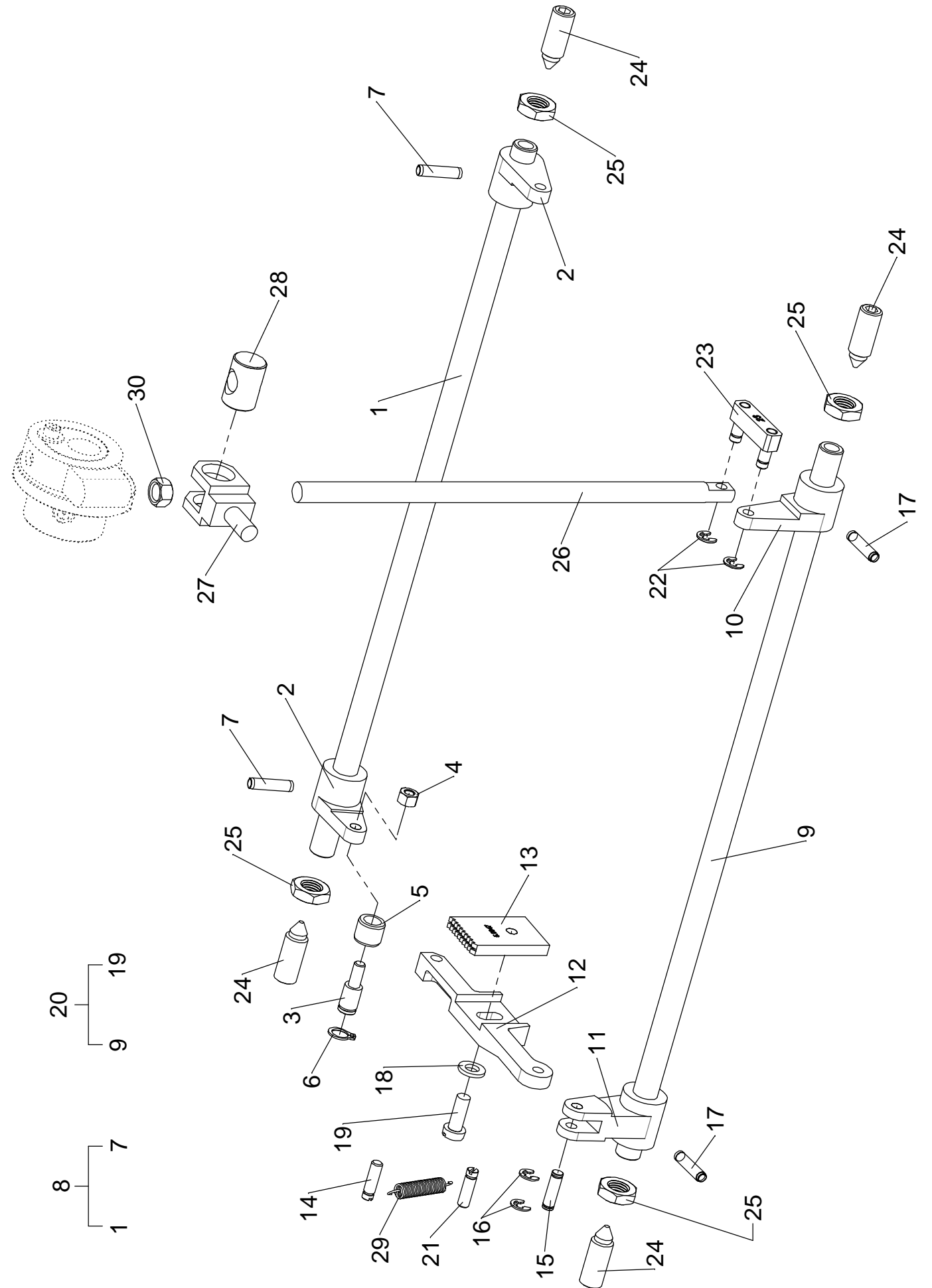
MB10 / S



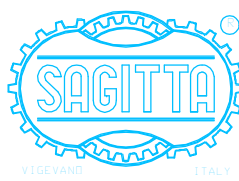
Pos.	Codice	Q.tà	Note
1	5.0040.00	2	
2	5.0042.00	2	
3	5.6499.00	1	
4	6.5050.03	1	D5
5	6.0526.57	1	
6	6.0012.08	1	
7	6.4902.01	2	
8	4.0058.00	1	
9	5.0040.00	1	
10	5.0043.00	1	
11	5.0044.00	1	
12	5.0046.00	1	
13	5.0047.00	1	
14	5.0051.00	1	
15	5.2141.00	1	
16	6.0010.07	2	
17	6.4902.01	2	
18	6.6160.04	1	RB6
19	6.6241.75	1	
20	4.0894.00	1	
21	5.0051.00	1	
22	6.0010.07	2	
23	4.0054.10	1	22mm
23	4.0055.10	1	23mm
23	4.0056.10	1	24mm
23	4.0057.10	1	25mm
24	5.0041.00	4	
25	6.5050.67	4	M10
26	5.0033.00	1	
27	5.0035.00	1	
28	5.0036.00	1	
29	6.3703.00	1	
30	5.4947.00	1	



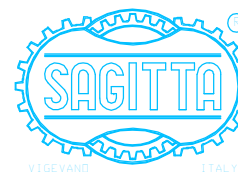
MB10 / S



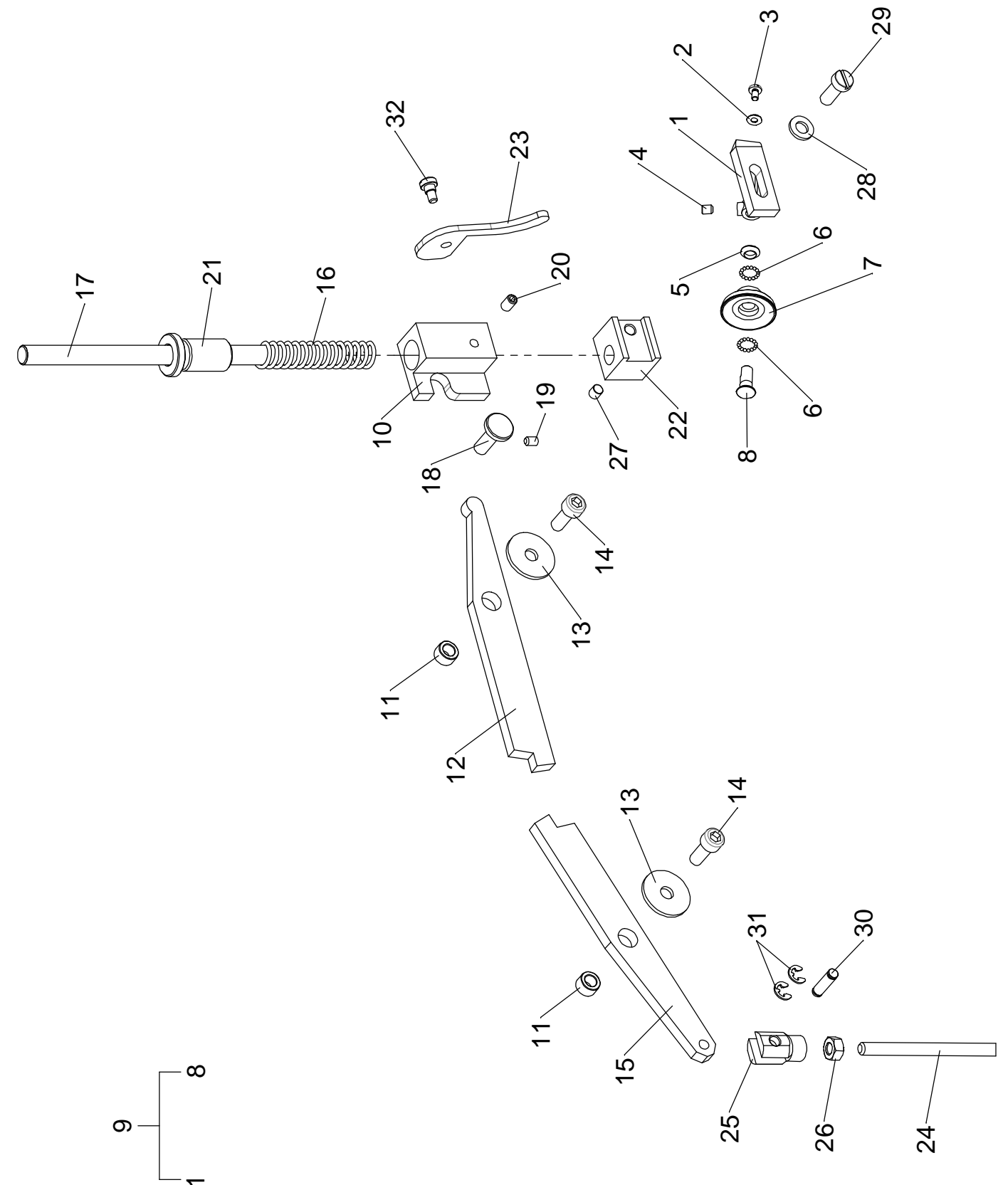
MB10 / S



Pos.	Codice	Q.tà	Note
1	5.4986.00	1	
2	6.6160.01	1	RB 3
3	6.6241.13	1	Tc38
4	6.6100.11	1	Gp45
5	5.1906.00	1	
6	6.4860.01	30	
7	5.4803.00	1	
8	5.2120.00	1	
9	4.0388.00	1	
10	5.4917.00	1	
11	5.6585.00	2	
12	5.4960.00	1	
13	6.6160.83	2	Rb624
14	6.6200.63	2	Bc615
15	5.0027.00	1	
16	6.3700.00	1	
17	5.0010.00	1	
18	5.4999.00	1	
19	6.6100.12	1	Gp46
20	6.6100.25	1	Gp58
21	5.0013.00	1	
22	5.0009.00	1	
23	5.0054.00	1	
24	5.0029.00	1	
25	5.0030.00	1	
26	6.5050.33	1	C6
27	6.6100.23	1	Gp55
28	6.6160.04	1	RB6
29	6.6241.75	1	
30	5.2141.00	1	
31	6.0010.07	2	
32	5.2128.00	1	



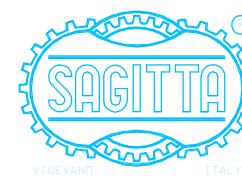
MB10 / S



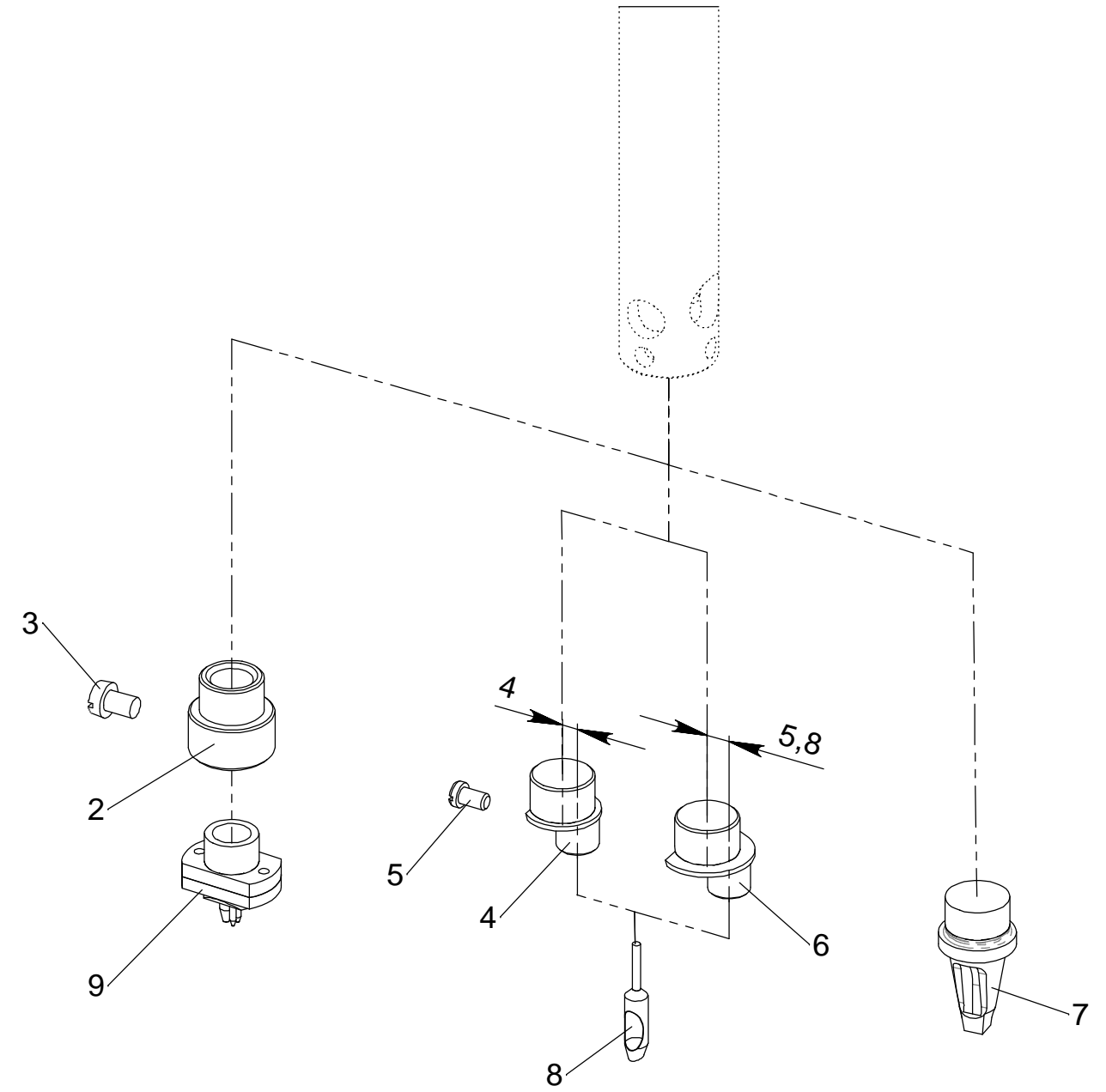
MB10 / S



Pos.	Codice	Q.tà	Note
1	5.0001.00	1	
2	5.0053.00	1	
3	6.6241.55	1	
4	5.0052.00	1	
5	5.4118.00	1	
6	5.2220.00	1	Optional
7	Art.2804	1	
7	Art.2805	1	
7	Art.2806	1	
7	Art.2807	1	
7	Art.2808	1	
7	Art.2809	1	
7	Art.2810	1	
7	Art.2811	1	
7	Art.2812	1	
7	Art.2813	1	
8	Art.2101	1	
8	Art.2102	1	
8	Art.2103	1	
8	Art.2104	1	
8	Art.2105	1	
8	Art.2106	1	
8	Art.2107	1	
8	Art.2108	1	
8	Art.2109	1	
8	Art.2110	1	
8	Art.2138	1	
9	Art.5300	1	



MB10 / S



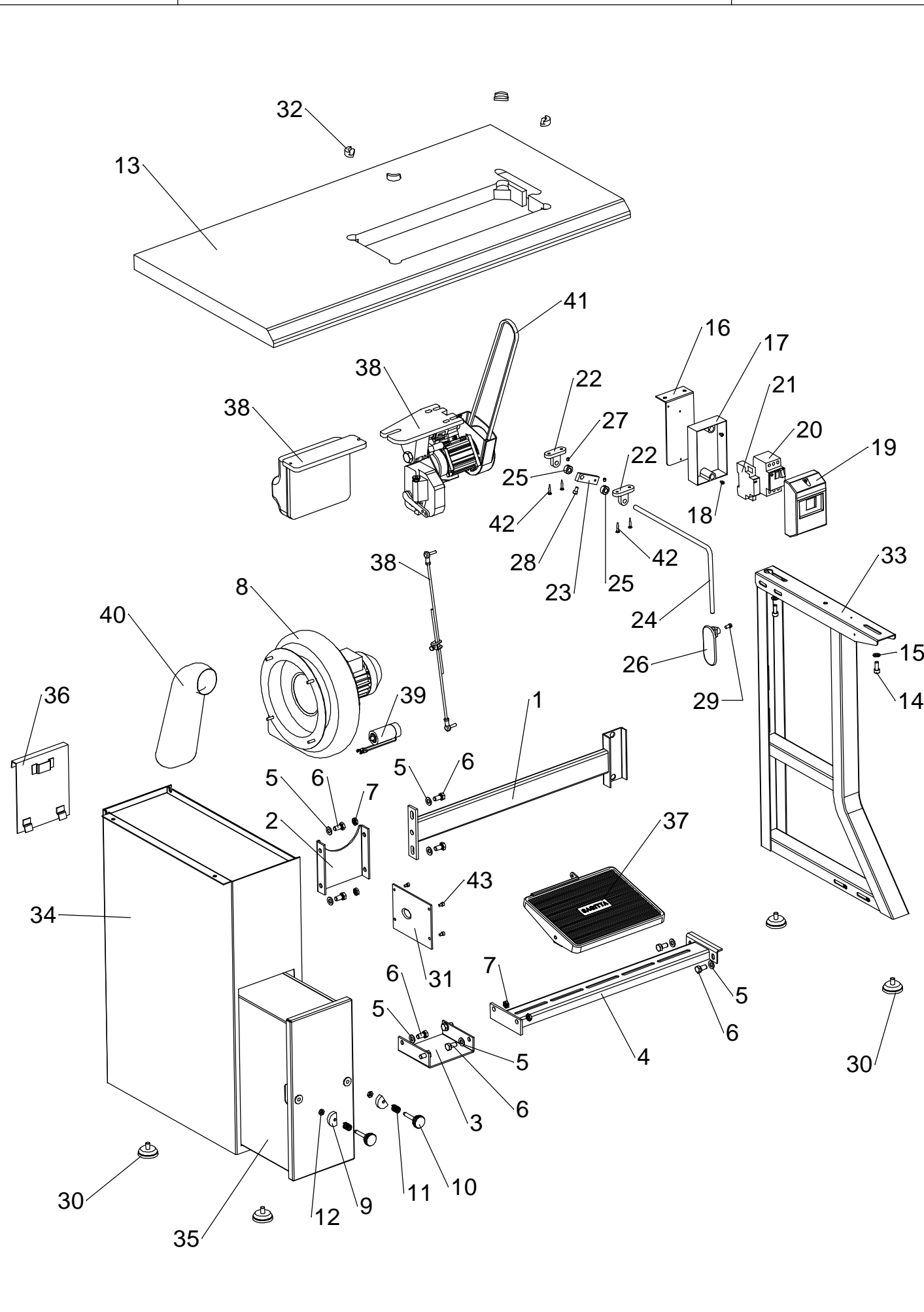
MB10



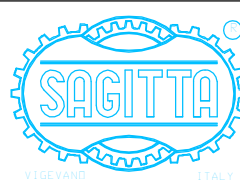
Pos.	Codice	Q.tà	Note
1	6.0130.26	1	
2	9.2400.00	1	
3	9.2401.00	1	
4	6.0130.27	1	
5	6.6260.48	10	Rb10
6	6.6260.47	10	TE1020
7	6.5050.67	6	M10
8	6.4100.96	1	
9	5.6142.00	2	
10	5.6777.00	2	
11	6.3831.00	2	
12	6.5050.65	2	M8
13	6.0130.45	1	
14	6.6200.85	2	BC820
15	6.6160.06	2	Rb8
16	6.0113.00	1	
17	6.1985.09	1	
18	6.6200.21	2	Bc46
19	6.1985.09	1	
20	6.2125.27	1	2,5 - 4A
21	6.2125.29	1	
22	6.4244.00	2	
23	5.2385.00	1	
24	5.2386.00	1	
25	5.2353.00	2	
26	5.4773.10	1	
27	6.6100.38	2	Gp66
28	6.6200.61	1	BC610
29	6.6241.74	1	Tc612
30	6.4959.00	4	
31	5.7844.01	1	
32	6.4956.00	4	
33	6.0130.14	1	
34	6.0130.28	1	
35	6.0130.19	1	
36	6.0130.18	1	
37	6.0130.31	1	
38	6.4099.23	1	
38	6.4099.23	1	
38	6.4099.23	1	
39	9.2474.00	1	
40	6.4261.00	1	
41	6.0500.17	1	
42	6.6255.25	4	
43	6.6200.41	4	Bc58



MB10



MB10



Pos.	Codice	Q.tà	Note
1	6.7003.39	1	
2	6.0130.31	1	
3	6.0130.45	1	
4	6.6200.85	4	BC820
5	6.6160.06	4	Rb8
6	6.0113.00	1	
7	6.1985.09	1	
8	6.6200.21	2	Bc46
9	6.1985.09	1	
10	6.2125.27	1	2,5 - 4A
11	6.2125.29	1	
12	6.4244.00	2	
13	5.2385.00	1	
14	5.2386.00	1	
15	5.2353.00	2	
16	5.4773.10	1	
17	6.4099.23	1	
18	6.6100.38	2	Gp66
19	6.6200.61	1	BC610
20	6.6241.74	1	Tc612
21	6.4099.23	1	
22	6.4099.23	1	
23	6.4956.00	4	
24	6.6260.48	4	Rb10
25	6.6260.47	4	TE1020
26	6.0500.17	1	
27	6.6255.25	10	
28	6.3500.00	2	
29	6.4201.00	1	
30	6.0130.21	1	
31	6.0130.22	1	
32	6.0130.20	1	
33	6.5050.67	2	M10

MB10

