



RP 67 TF3B μ P



OFFICINA MECCANICA SAGITTA S.p.A.

Corso Novara, 163 - 27029 VIGEVANO - ITALY

Tel. +39 0381 75701 / 2 Fax +39 0381 82771

Web: <http://www.sagitta.it>

e-mail: info@sagitta.it



RP 67 TF3B μ P

CATALOGO RICAMBI

SPARE PARTS CATALOGUE – CATALOGUE DES PIECES DATAHEES –
ERSATZTEILE KATALOG – CATÁLOGO PEÇAS DE SUBSTITUIÇÃO

CATALOGO n° 7022

MATRICOLA n° 67F0214

SAGITTA

OFFICINA MECCANICA S.p.A. – Corso Novara, 163 – 27029 VIGEVANO – (ITALY)
Tel. +39 0381 75701 / 2 Fax +39 0381 82771
Web: <http://www.sagitta.it> e-mail: info@sagitta.it



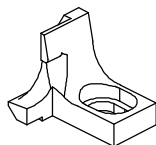
RP 67TF3BμP

Foglio 01

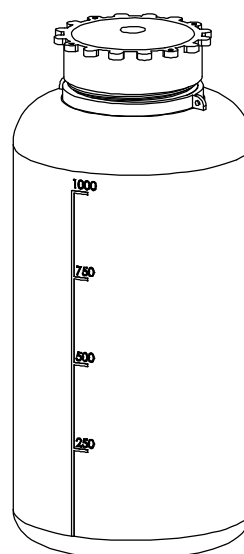
Tav. 85344

Accessori e ricambi in dotazione
Outillage et pieces de rechange du necessaire
Spare parts attachments
Zubehore und ersatzteile

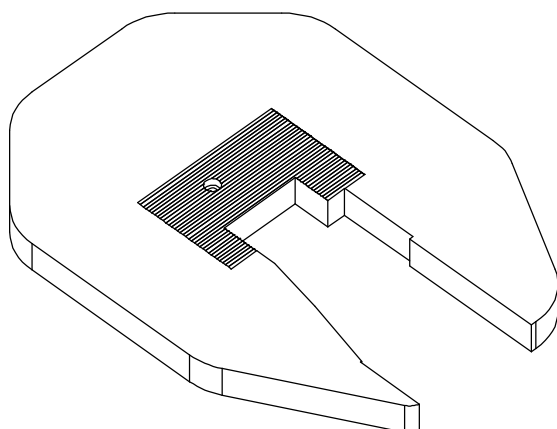
- 4.1323.01 -



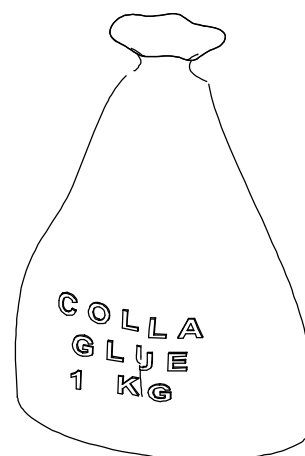
Guida - Guide	Cod.
3,2 mm	9.0367.00
5 mm	9.0369.00



Olio - Oil 1,1L
cod. 6.4103.09

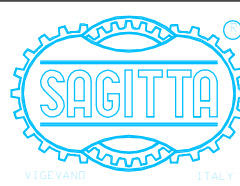


Piano di lavoro - Worktop
cod. 9.0497.00

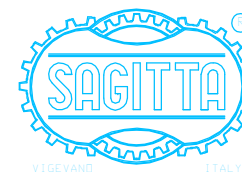


Colla - Glue 1Kg
cod. 6.4105.07

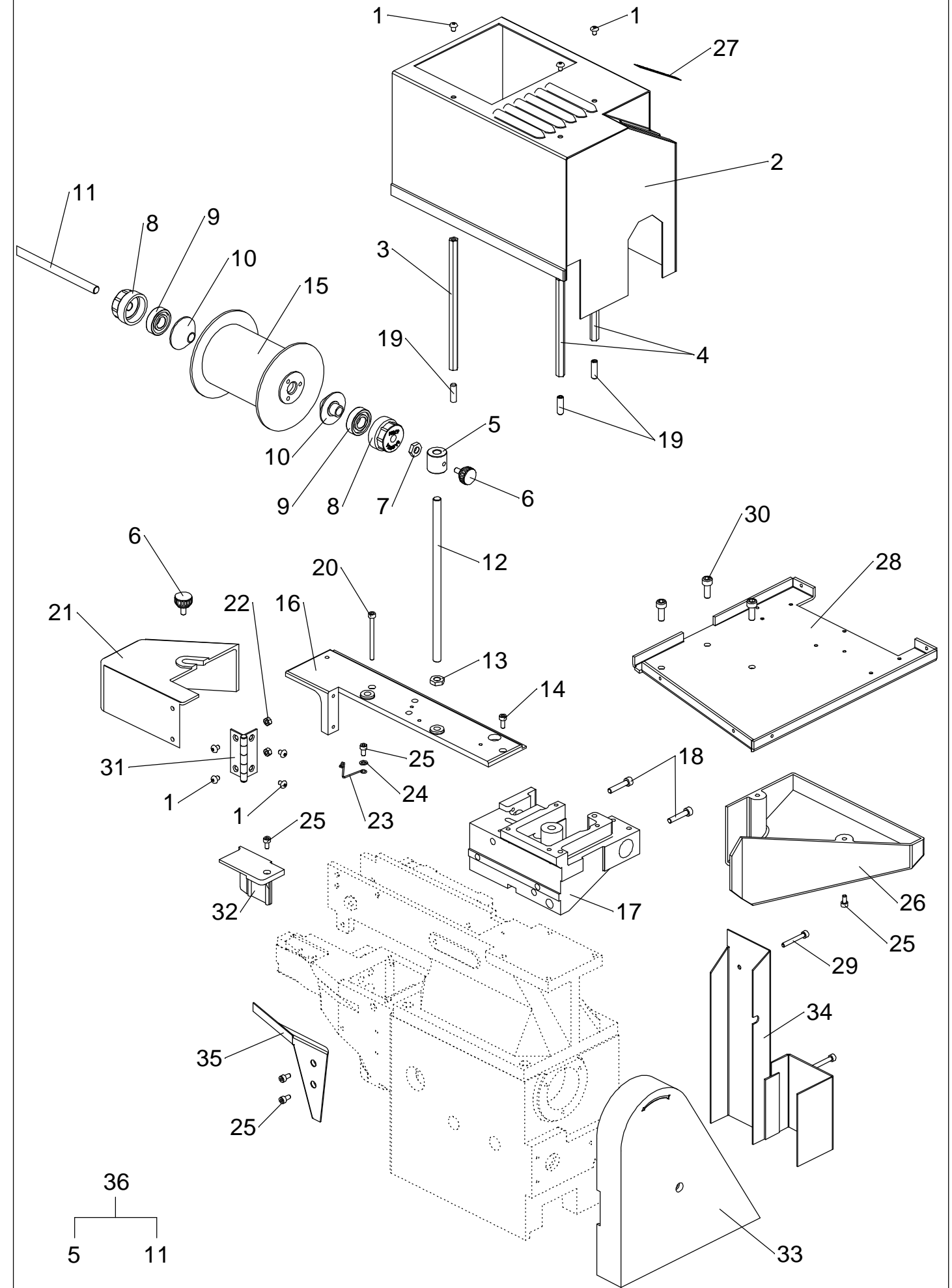
RP 67TF3BμP



Pos.	Codice	Q.tà	Note
1	6.6260.09	7	Bb48
2	6.0130.54	1	
3	5.6394.01	1	
4	5.6393.01	2	
5	5.6688.00	1	
6	6.4491.02	2	
7	6.5050.65	1	M8
8	5.7334.00	2	
9	6.0525.75	2	
10	5.7335.00	2	
11	5.7344.10	1	
12	5.7344.10	1	
13	6.5050.65	1	M8
14	6.6200.23	1	BC410
15	6.4205.00	1	
16	5.6696.02	1	
17	9.0714.00	1	
18	6.6200.48	2	Bc525
19	6.6100.44	3	Gp620
20	6.6200.34	1	Bc450
21	5.6754.00	1	
22	6.5050.02	2	D4
23	5.4722.00	1	
24	6.6160.02	1	RB4
25	6.6200.22	6	
26	5.6753.00	1	
27	6.4998.05	1	
28	9.0351.00	1	
29	6.6200.30	2	
30	6.6200.63	3	Bc615
31	6.3527.00	1	
32	6.0109.00	1	
33	6.0106.00	1	Frizione Stop
33	5.6691.00	1	Stop
34	6.0127.01	1	
35	5.6785.00	1	
36	4.0103.01	1	



RP 67TF3BμP



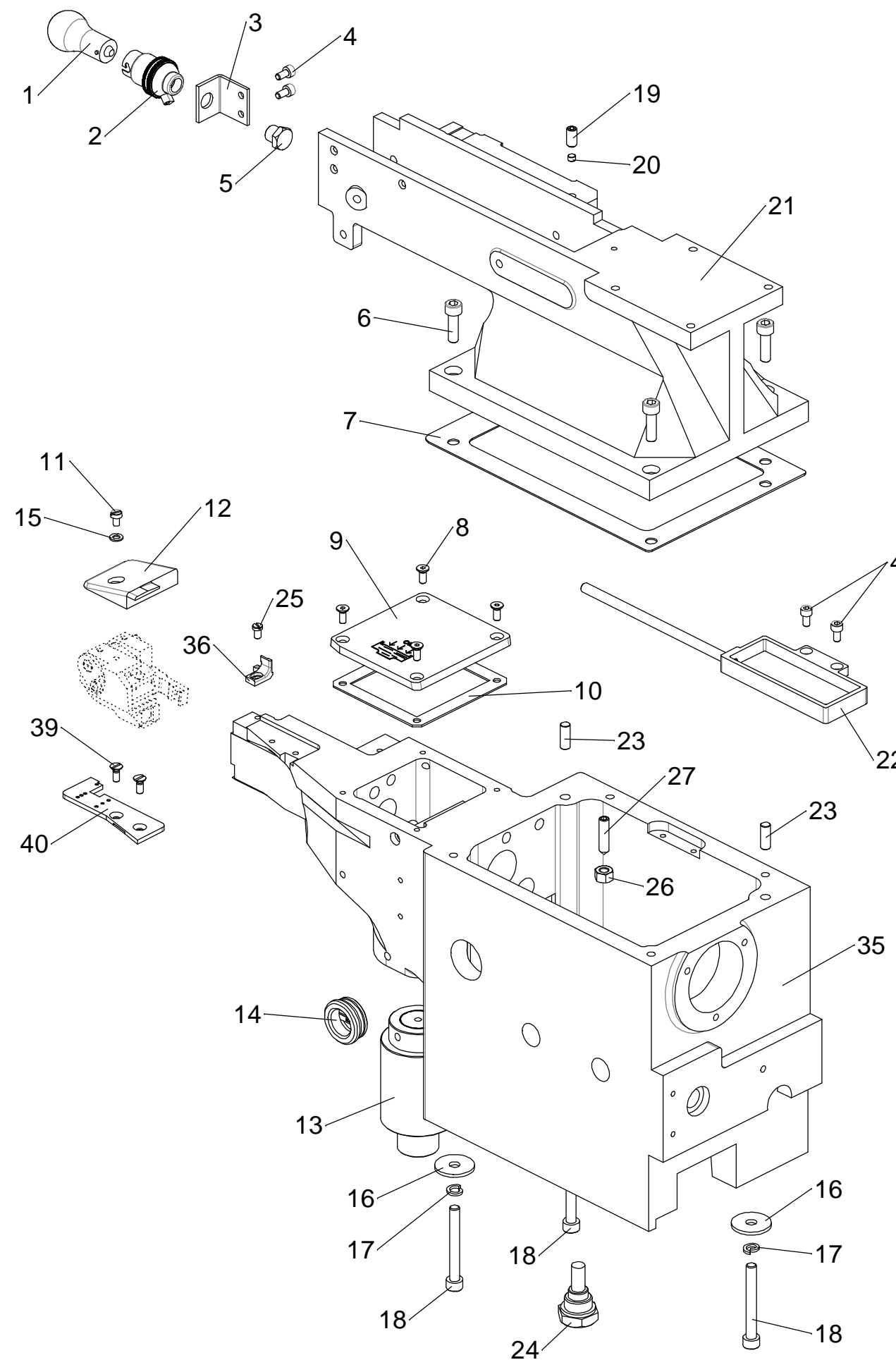
RP 67TF3BμP



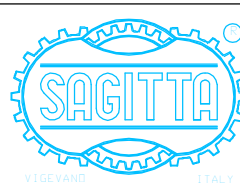
Pos.	Codice	Q.tà	Note
1	6.1875.00	1	
2	5.5119.01	1	
3	5.6756.00	1	
4	6.6200.22	4	
5	5.2271.00	1	
6	6.6200.65	4	BC620
7	5.8437.00	1	
8	6.6205.19	4	Bs410
9	6.4246.00	1	
10	5.4097.00	1	
11	6.6241.39	1	Tc46
12	6.0130.23	1	
13	5.6531.00	1	
14	6.4377.03	1	
15	6.6160.02	1	RB4
16	6.6160.83	3	Rb624
17	6.6160.23	3	RG8
18	6.6200.72	3	BC 650
19	6.6100.41	1	G612
20	5.2143.00	1	
21	5.4119.03	1	
22	4.0084.10	1	
23	6.4876.00	2	
24	6.4377.10	1	
25	5.4118.00	1	
26	6.5050.04	1	D6
27	6.6105.46	1	
35	9.0440.01	1	
36	9.0368.00	1	4mm
36	9.0395.00	1	6mm
36	9.0396.00	1	7mm
37	6.6226.21	2	Ts48
38	4.1279.00	1	



RP 67TF3BμP

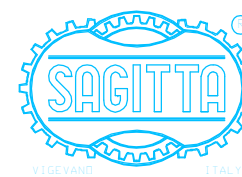


RP 67TF3BμP

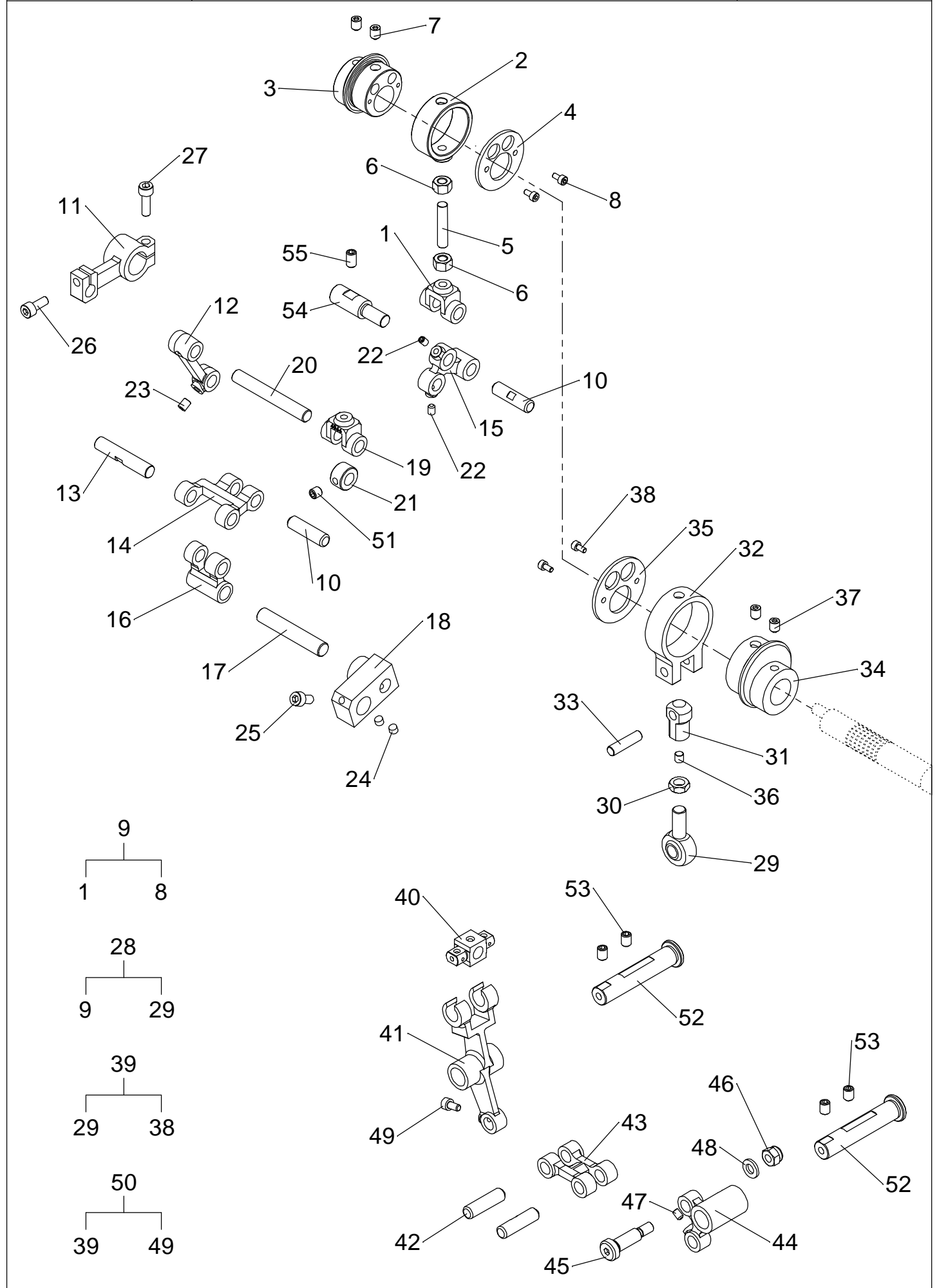


Pos.	Codice	Q.tà	Note
1	5.4066.00	1	
2	5.4067.00	1	
3	5.4068.00	1	
4	5.4069.00	1	
5	5.5280.00	1	
6	6.5050.04	2	D6
7	6.6105.39	2	
8	6.6200.03	2	Bc36
9	4.0074.00	1	
10	5.4048.00	2	
11	5.4059.00	1	
12	5.4061.00	1	
13	5.4062.00	1	
14	5.4063.00	1	
15	5.4064.00	1	
16	5.4070.00	1	
17	5.4071.10	1	
18	5.4072.00	1	
19	5.5135.00	1	
20	5.5191.00	1	
21	5.5199.00	1	
22	6.6100.12	2	Gp46
23	6.6100.24	1	Gp56
24	6.6105.24	2	
25	6.6200.42	1	Bc510
26	6.6200.43	1	Bc512
27	6.6200.44	1	Bc516
28	3.0488.00	1	
29	5.4052.00	1	
30	5.4053.00	1	
31	5.4054.00	1	
32	5.4055.00	1	
33	5.4056.00	1	
34	5.4057.00	1	
35	5.4058.00	1	
36	6.6100.23	1	Gp55
37	6.6105.39	2	
38	6.6200.03	2	Bc36
39	4.0073.00	1	
40	5.4045.00	1	
41	5.4046.00	1	
42	5.4048.00	2	
43	5.4049.00	1	
44	5.4050.00	1	
45	5.4051.10	1	
46	6.6010.00	1	
47	6.6100.12	1	
48	6.6160.04	1	RB6
49	6.6200.22	1	
50	3.0145.00	1	

Pos.	Codice	Q.tà	Note
51	6.6100.38	1	Gp66
52	5.4047.00	2	
53	6.6100.39	4	Gp68
54	5.4065.01	1	
55	6.6100.40	1	Gp610
56	5.4098.10	1	



RP 67TF3BμP

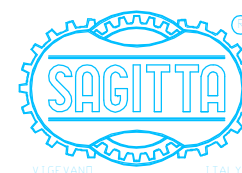


RP 67TF3BμP

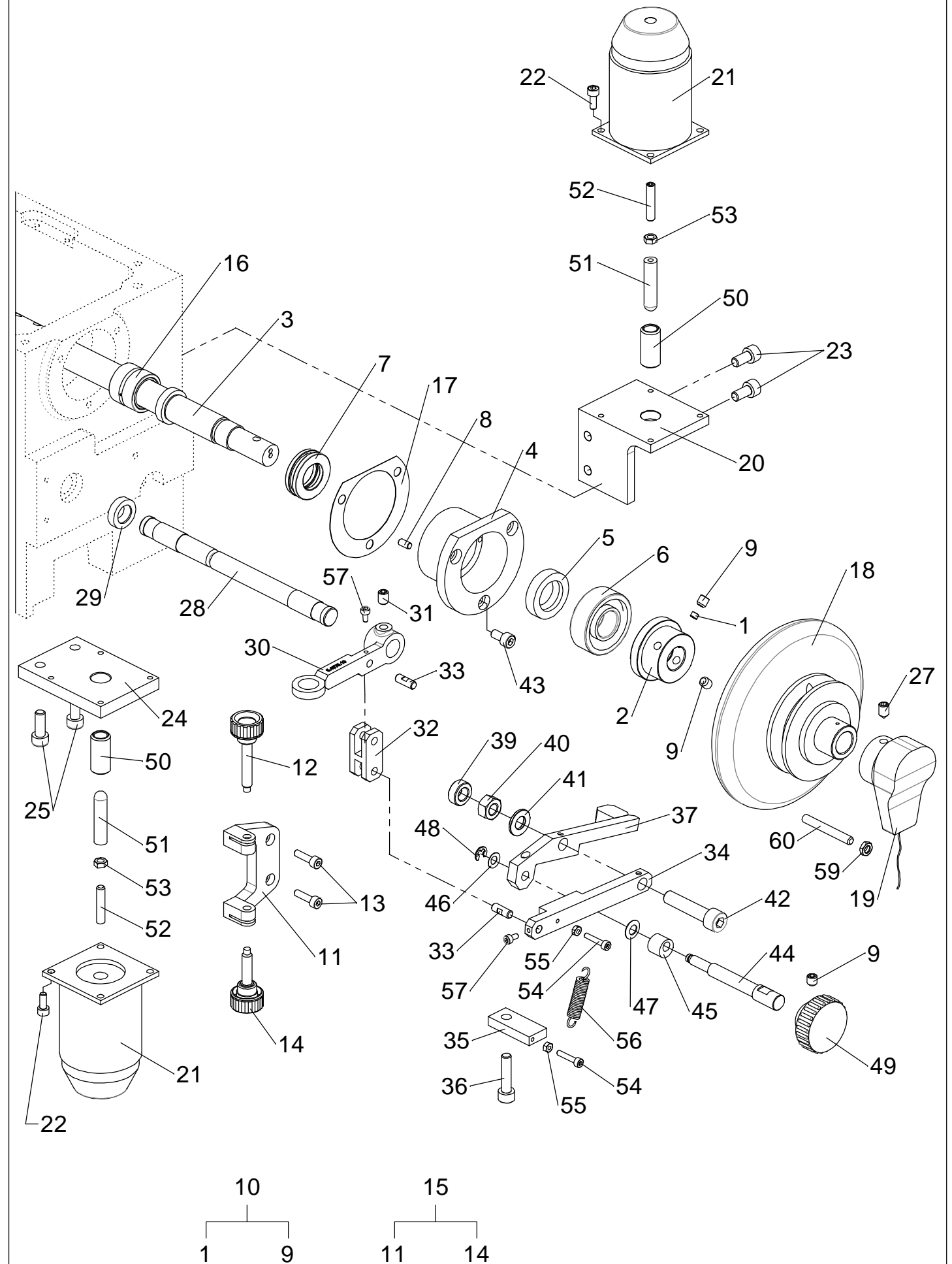


Pos.	Codice	Q.tà	Note
1	5.2143.00	1	
2	5.3019.10	1	
3	5.4098.10	1	
4	5.4102.00	1	
5	6.0001.08	1	
6	6.0525.10	1	
7	6.0525.15	1	
8	6.6100.13	2	
9	6.6100.38	3	Gp66
10	4.0075.00	1	
11	5.4077.10	1	
12	5.6773.00	1	
13	6.6200.25	2	Bc416
14	5.6773.01	1	
15	4.0041.10	1	
16	6.0525.14	1	
17	5.8826.00	1	
18	5.5212.00	1	
19	6.4099.44	1	
20	5.6679.00	1	
21	6.1917.00	2	
22	6.6200.23	8	BC410
23	6.6200.62	2	BC612
24	5.5204.00	1	
25	6.6200.63	2	Bc615
26	6.6105.62	1	Gc825
27	6.6105.40	1	
28	5.4073.10	1	
29	6.0001.23	1	
30	5.4076.10	1	
31	6.6100.39	1	Gp68
32	5.6677.00	1	
33	5.3162.00	2	
34	5.6682.00	1	
35	5.6681.00	1	
36	6.6200.67	1	Bc625
37	5.6683.99	1	
38	5.6683.98	1	
39	9.0796.00	1	
40	6.5050.06	1	D8
41	6.6160.06	1	Rb8
42	5.6680.12	1	
43	6.6200.42	3	Bc510
44	5.6684.00	1	
45	5.6685.00	1	
46	6.3768.00	1	
47	6.3825.03	1	
48	6.0010.07	1	
49	5.6776.00	1	
50	5.5203.00	2	

Pos.	Codice	Q.tà	Note
51	5.7813.00	2	
52	6.6100.32	2	
53	5.3943.00	2	
54	6.6200.07	2	Bc316
55	6.5050.01	2	D3
56	6.3776.00	1	
57	6.6200.03	2	Bc36
59	6.5050.62	1	M5
60	6.6100.35	1	



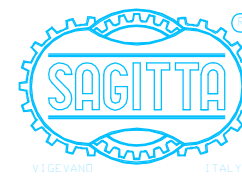
RP 67TF3BμP



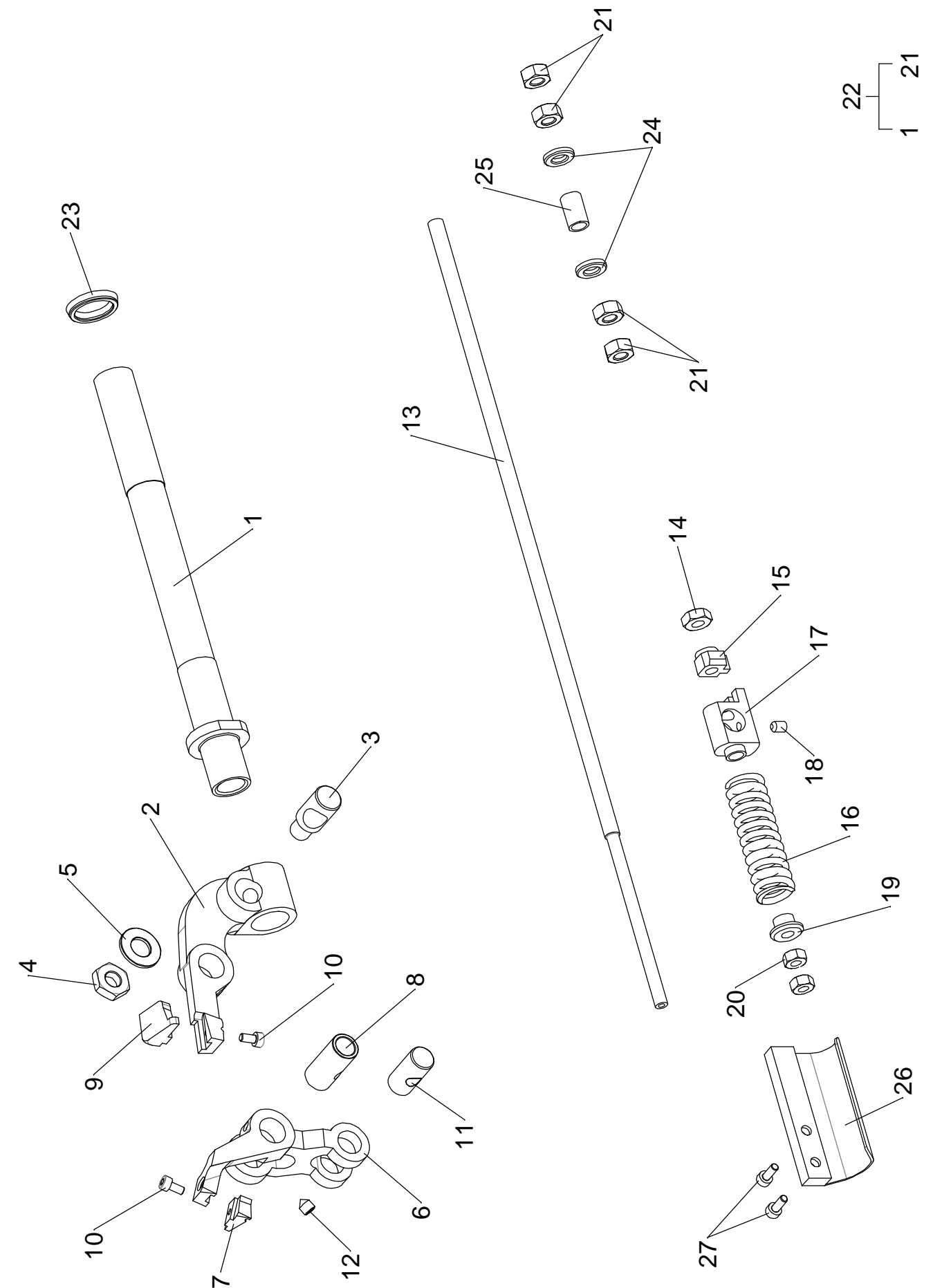
RP 67TF3BμP



Pos.	Codice	Q.tà	Note
1	4.0396.00	1	
2	5.4025.10	1	
3	5.4026.00	1	
4	6.5050.65	1	M8
5	6.6160.06	1	Rb8
6	5.4022.00	1	
7	5.4021.00	1	
8	5.4023.00	1	
9	5.4024.00	1	
10	6.6200.03	2	Bc36
11	5.4034.01	1	
12	6.6105.24	1	
13	5.4028.00	1	
14	5.4033.00	1	
15	5.4032.00	1	
16	6.3750.00	1	
17	5.7360.00	1	
18	6.6105.13	1	
19	5.4029.00	1	
20	6.5050.32	2	
21	6.5050.33	4	C6
22	3.0147.00	1	
23	6.0004.04	1	
24	5.4042.00	2	
25	5.4041.00	1	
26	9.0496.00	1	
27	6.6200.04	2	Bc38



RP 67TF3BμP



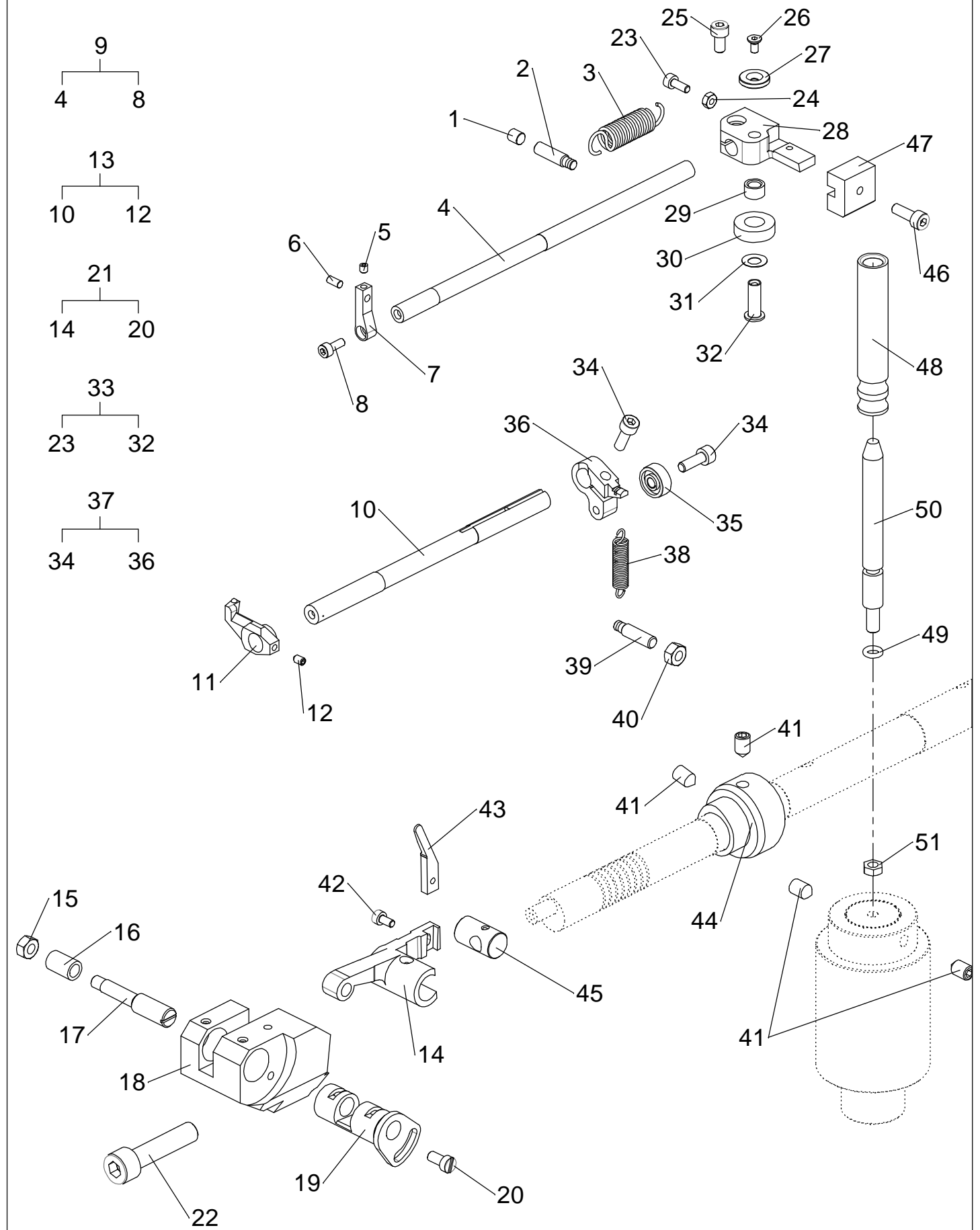
RP 67TF3BμP



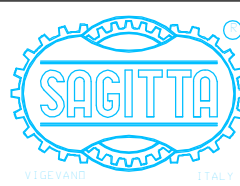
Pos.	Codice	Q.tà	Note
1	6.6100.23	1	Gp55
2	5.4082.00	1	
3	6.3767.00	1	
4	5.4085.00	1	
5	6.6100.00	1	Gp33
6	6.4870.56	1	
7	5.4083.00	1	
8	6.6200.04	1	Bc38
9	4.0097.00	1	
10	5.4079.00	1	
11	5.4078.00	1	
12	6.6105.02	1	
13	4.0098.00	1	
14	5.4111.00	1	
15	6.5050.32	1	
16	5.4109.00	1	
17	5.4108.00	1	
18	9.0495.00	1	
19	5.4107.01	1	
20	6.6241.41	1	
21	4.1398.00	1	
22	6.6200.89	1	Bc835
23	6.6200.04	1	Bc38
24	6.5050.01	1	D3
25	6.6200.22	1	
26	6.6205.03	1	Bs36
27	5.6509.00	1	
28	5.4087.01	1	
29	5.7198.00	1	
30	5.7199.00	1	
31	6.3768.00	1	
32	5.7197.00	1	
33	4.0087.10	1	
34	6.6200.24	2	BC412
35	6.0525.11	1	
36	5.4080.00	1	
37	4.0088.00	1	
38	6.3751.00	1	
39	5.4082.00	1	
40	6.5050.32	1	
41	6.6105.40	4	
42	6.6200.03	1	Bc36
43	5.4536.00	1	
44	5.4095.00	1	
45	5.4112.00	1	
46	6.6200.24	1	Bc412
47	5.4089.01	1	
48	5.5217.00	1	
49	6.0002.69	1	
50	5.2247.00	1	
51	5.3943.00	1	



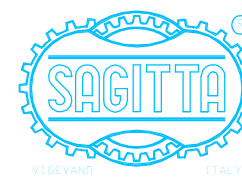
RP 67TF3BμP



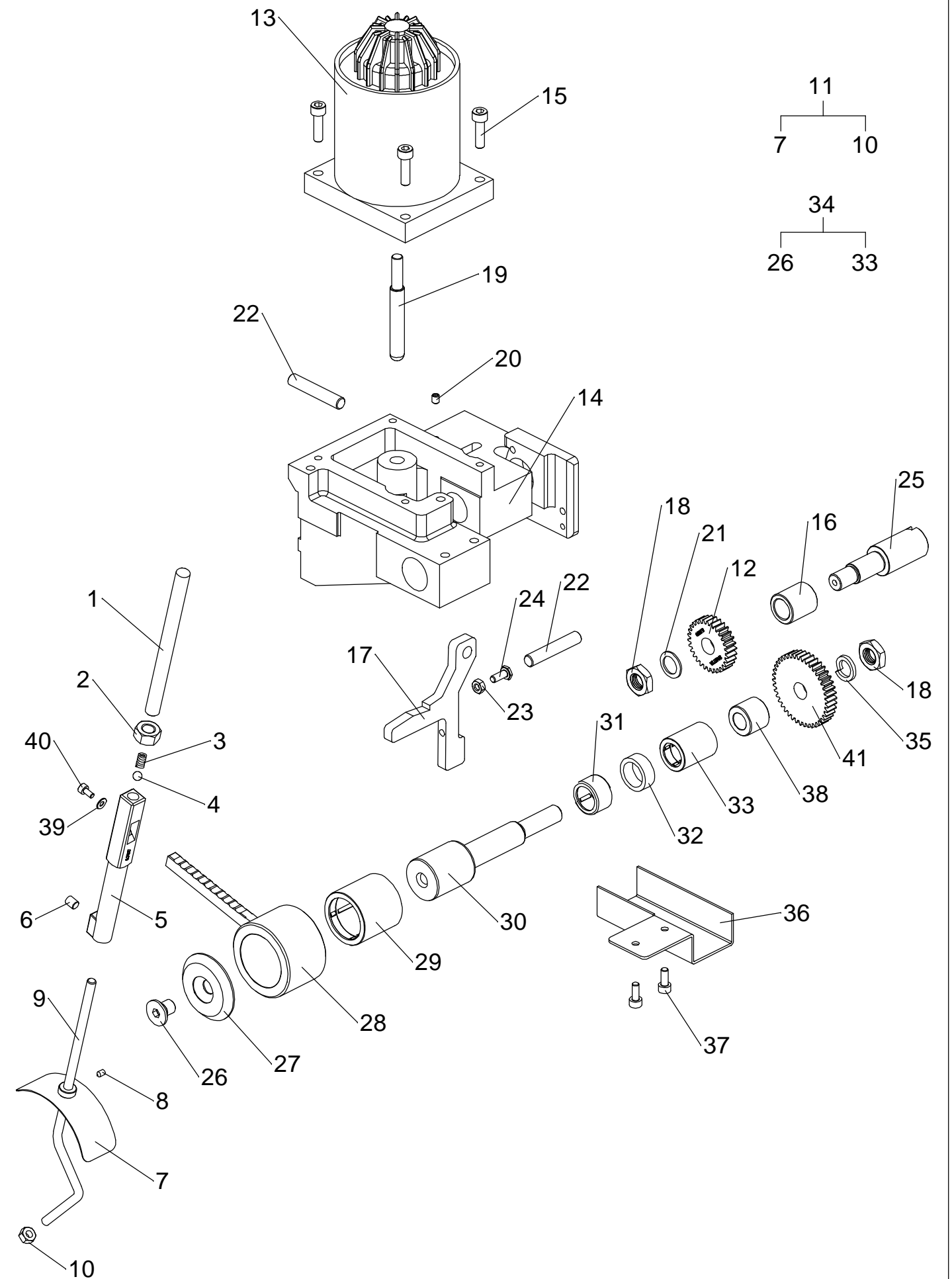
RP 67TF3BμP



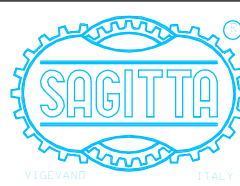
Pos.	Codice	Q.tà	Note
1	5.6672.01	1	
2	6.5050.06	1	D8
3	6.3736.00	1	
4	6.4860.04	1	
5	5.7027.00	1	
6	6.6100.24	1	Gp56
7	4.0168.10	1	
8	6.6105.02	1	
9	5.5190.01	1	
10	6.5050.32	1	
11	3.0840.01	1	
12	5.3853.00	1	
13	6.1703.00	1	
14	9.0714.00	1	
15	6.6200.45	4	Bc518
16	6.0150.00	1	
17	5.7039.00	1	
18	6.5050.67	2	M10
19	5.2250.00	1	
20	6.6100.11	1	Gp45
21	6.6198.08	1	
22	6.4682.00	2	
23	6.5050.61	1	
24	5.2259.00	1	
25	5.6576.10	1	
26	6.6205.67	1	Bc812
27	9.0707.00	1	
28	9.0710.00	1	
29	6.0526.41	1	
30	9.0711.10	1	
31	6.0526.40	1	
32	9.0708.00	1	
33	6.0526.42	1	
34	4.1438.10	1	
35	6.6160.26	1	RG8
36	5.6900.00	1	
37	6.6200.23	2	BC410
38	5.6171.00	1	
39	6.6160.01	1	RB 3
40	6.6200.03	1	Bc36
41	5.3852.01	1	



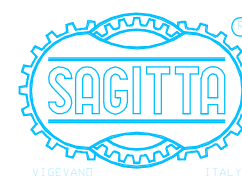
RP 67TF3BμP



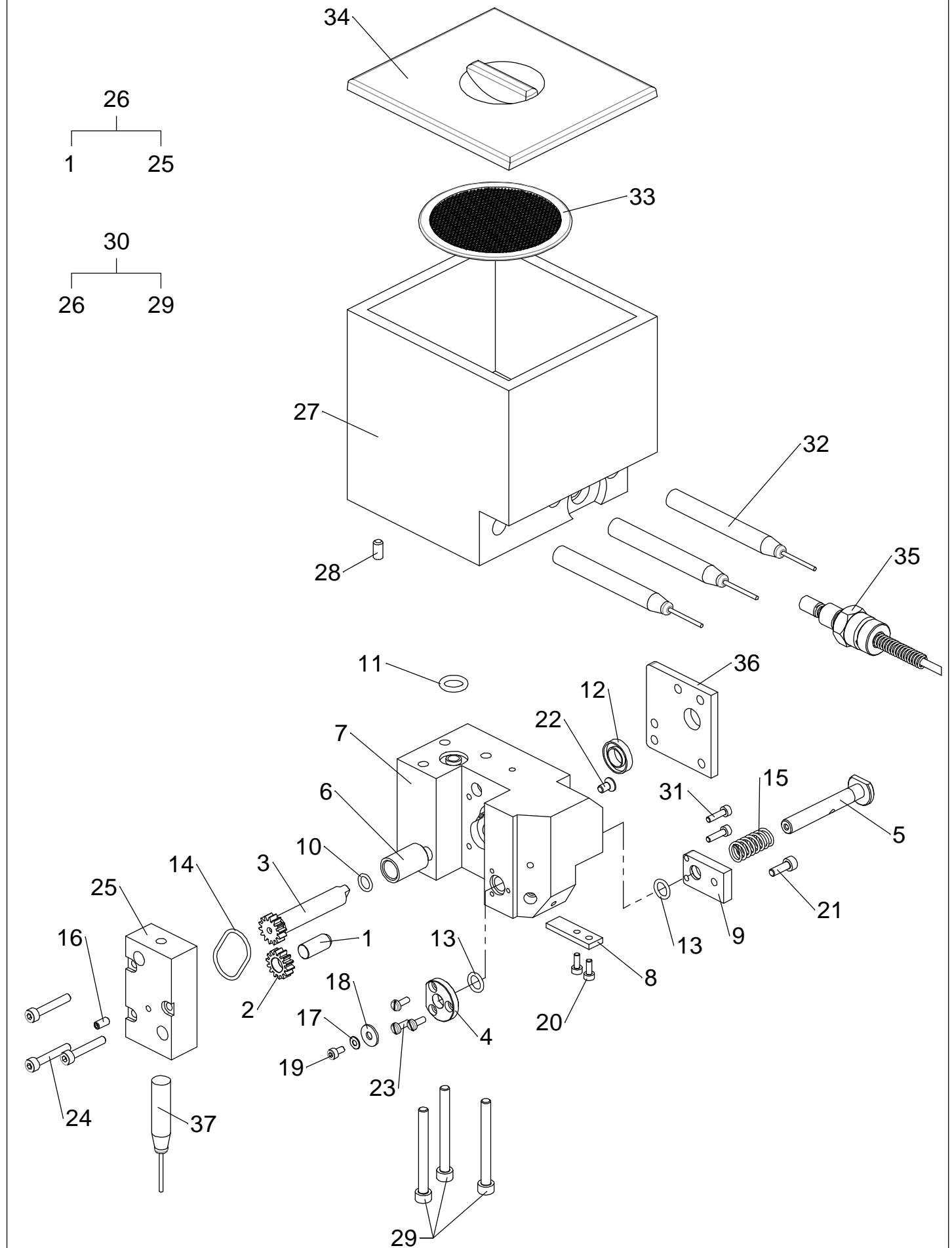
RP 67TF3BμP



Pos.	Codice	Q.tà	Note
1	5.3380.00	1	
2	5.3381.00	1	
3	5.3382.20	1	
4	5.6552.10	1	
5	5.6553.00	1	
6	5.6659.00	1	
7	5.6709.11	1	
8	5.6711.00	1	
9	5.6985.01	1	
10	6.0002.01	1	
11	6.0002.28	1	
12	6.0002.29	1	
13	6.0002.31	2	
14	6.0002.61	1	
15	6.3740.00	1	
16	6.6100.13	2	
17	6.6160.01	1	RB 3
18	6.6160.81	1	Rb412
19	6.6200.03	1	Bc36
20	6.6200.04	2	Bc38
21	6.6200.24	1	BC412
22	6.6205.18	1	Bs48
23	6.6241.16	3	Tc38
24	6.6260.05	3	Bc425 inox
25	9.0362.00	1	
26	4.1319.00	1	
27	5.6710.00	1	
28	6.6100.26	3	GP510
29	6.6260.04	3	Bc550 inox
30	3.0952.00	1	
31	6.6200.06	2	Bc312
32	6.2072.00	3	
33	6.3529.00	1	
34	6.4240.00	1	
35	6.1990.00	1	
36	6.1261.00	1	
37	6.1937.00	1	



RP 67TF3BμP



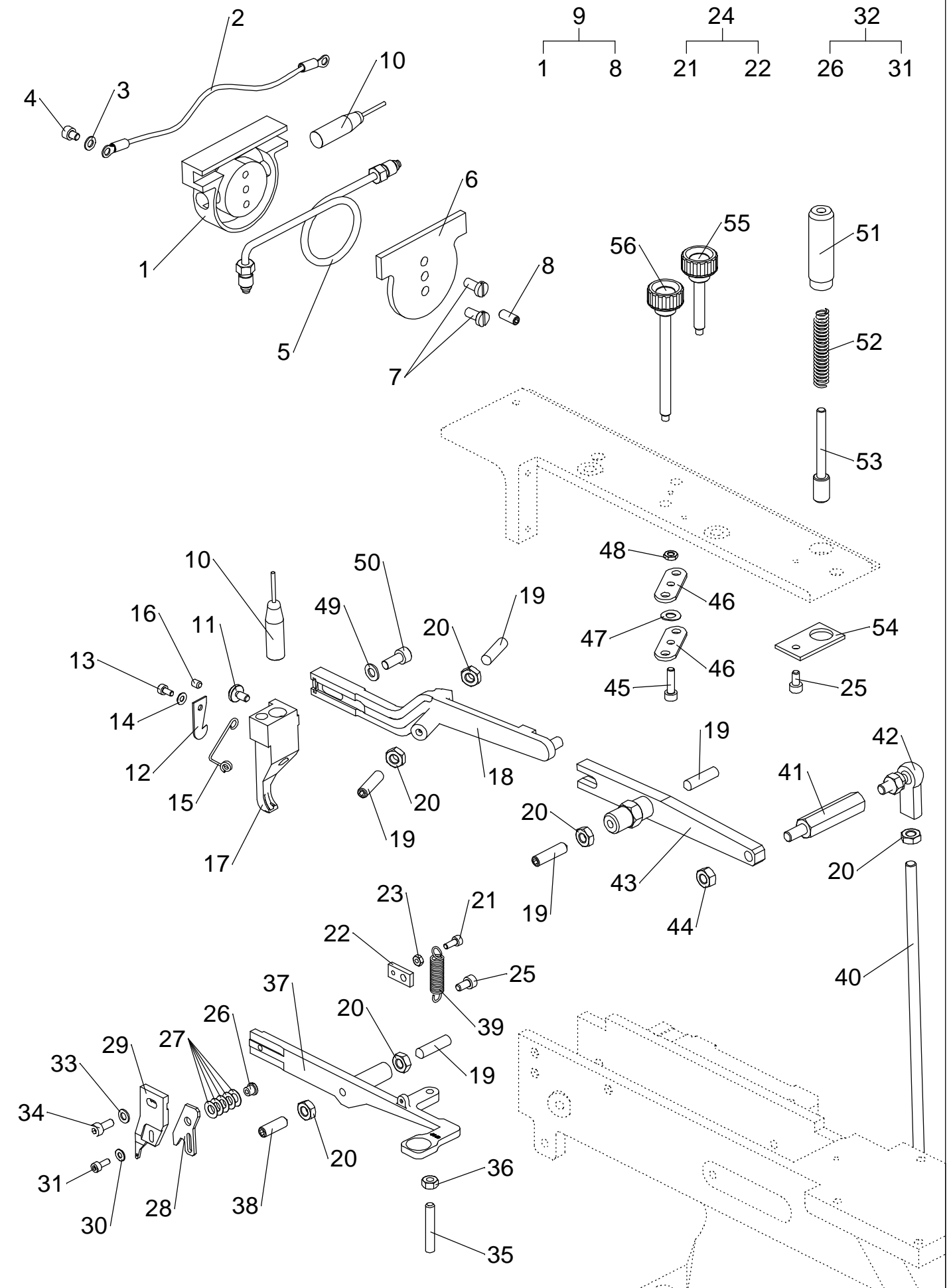
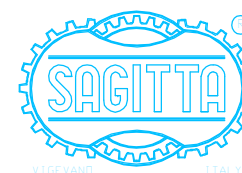
RP 67TF3BμP



Pos.	Codice	Q.tà	Note
1	5.6760.00	1	
2	6.1575.00	1	
3	6.6160.02	1	RB4
4	6.6200.20	1	Bc46
5	4.0017.00	1	
6	5.6761.00	1	
7	6.6241.57	2	
8	6.6100.27	1	Gp512
9	3.0005.11	1	
10	6.1936.00	2	
11	5.4236.00	1	
12	5.4125.10	1	
13	6.6200.03	1	Bc36
14	6.6160.01	1	RB 3
15	5.4722.00	1	
16	6.6100.11	1	Gp45
17	5.6498.00	1	
18	5.4139.10	1	
19	6.6105.46	5	
20	6.5050.63	6	M6
21	6.6200.04	1	Bc38
22	5.4145.00	1	
23	6.5050.01	1	D3
24	4.0144.00	1	
25	6.6200.22	2	
26	5.2238.00	1	
27	6.3768.00	5	
28	5.4147.00	1	
29	5.4146.00	1	
30	6.6160.01	1	RB3
31	6.6200.04	1	Bc38
32	4.0086.00	1	
33	6.6160.02	1	RB4
34	6.6200.23	1	BC410
35	6.6100.33	1	GP530
36	6.5050.32	1	
37	5.4143.00	1	
38	6.6105.44	1	
39	6.3754.00	1	
40	5.6616.00	1	
41	5.6550.00	1	
42	6.4903.01	1	
43	4.0006.00	1	
44	6.5050.33	1	C6
45	6.6200.25	1	Bc416
46	5.6861.00	2	
47	6.6198.05	1	
48	6.5050.31	1	C4
49	6.6160.03	1	Rb5
50	6.6200.43	1	Bc512

Pos.	Codice	Q.tà	Note
51	5.6541.10	1	
52	6.3818.00	1	
53	5.6670.00	1	
54	5.6862.00	1	
55	5.6773.00	1	
56	5.6775.10	1	

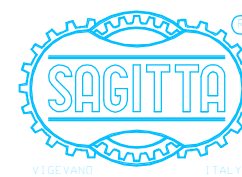
RP 67TF3BμP



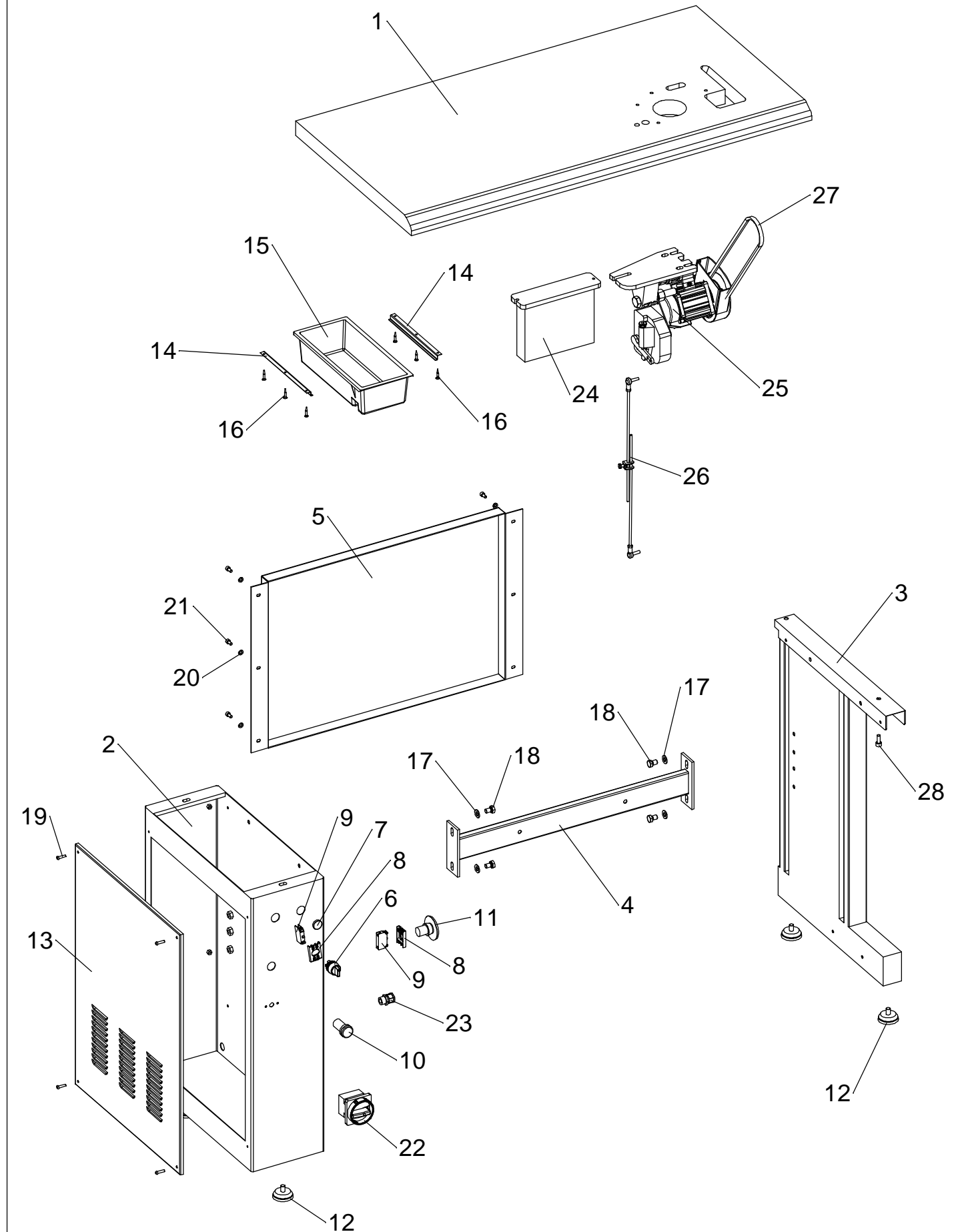
RP 67TF3BμP



Pos.	Codice	Q.tà	Note
1	6.0130.56	1	
2	5.9589.02	1	
3	5.8354.00	1	
4	9.0468.00	1	
5	9.0472.00	1	
6	6.2035.48	1	
7	6.3540.01	1	
8	6.2035.42	2	
9	6.2035.43	2	
10	6.2131.43	1	
11	6.2035.41	1	
12	6.4959.00	4	
13	5.9593.00	1	
14	6.3500.00	2	
15	6.4201.00	1	
16	6.6255.25	6	
17	6.6160.07	4	Rb10
18	6.6218.81	4	Te1015
19	6.6260.13	4	Bb420
20	6.6160.04	6	RB6
21	6.6200.62	6	BC612
22	6.1859.02	1	
23	6.1609.00	1	
24	6.4099.42	1	
25	6.4099.42	1	Stop
26	6.4099.42	1	
27	6.0500.32	1	
28	6.6200.85	2	BC820



RP 67TF3BμP

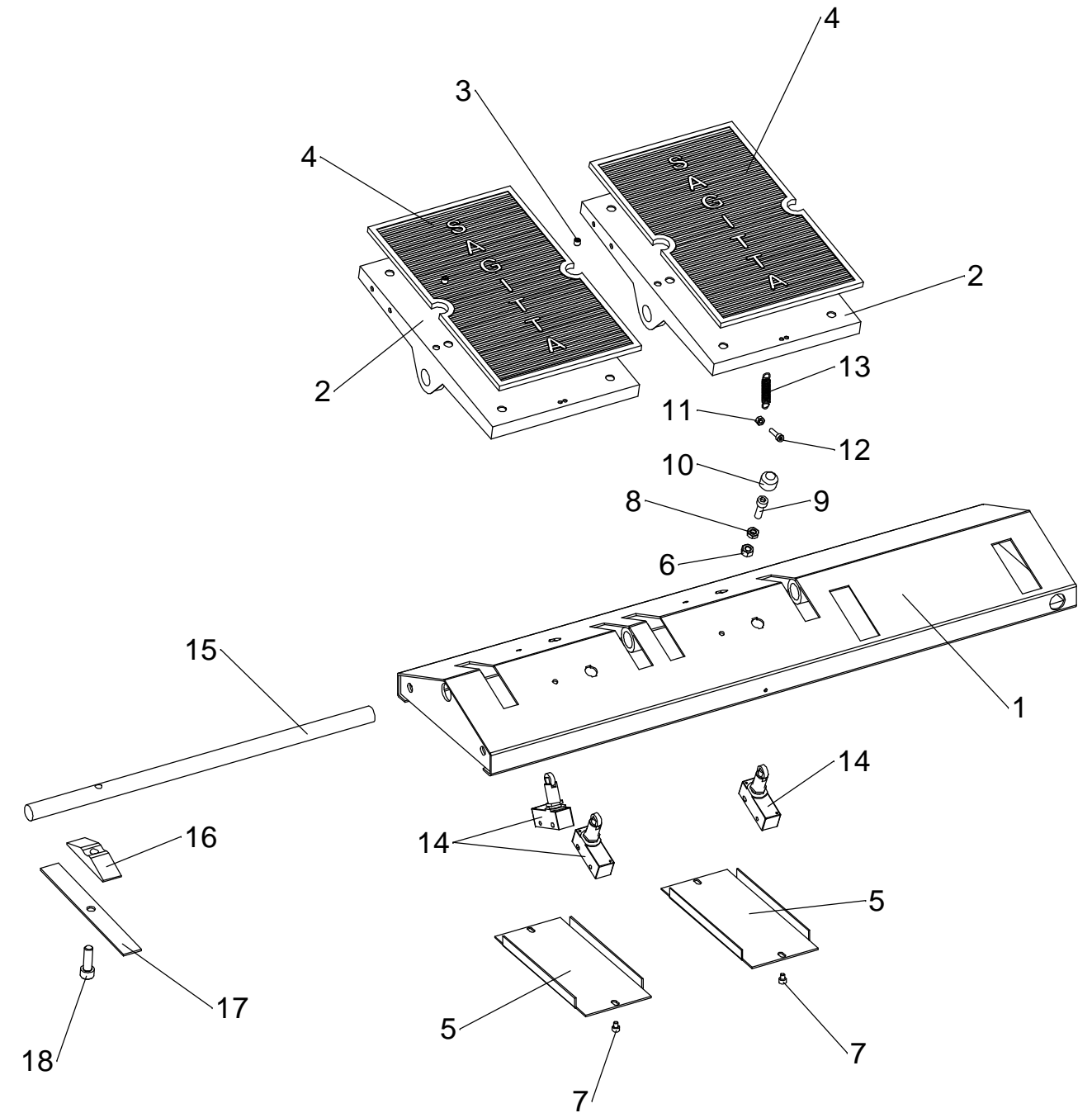
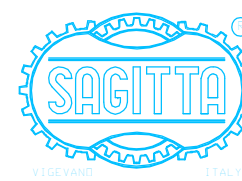


RP 67TF3BμP



Pos.	Codice	Q.tà	Note
1	6.0054.02	1	
2	6.0055.11	2	
3	6.6100.38	2	Gp66
4	6.4958.00	2	
5	6.0060.00	2	
6	6.5050.04	1	D6
7	6.6200.20	4	Bc46
8	6.5050.63	1	M6
9	6.6200.65	1	BC620
10	6.3516.00	1	
11	6.5050.02	1	D4
12	6.6200.25	1	Bc416
13	6.3776.00	1	
14	6.1589.00	3	
15	6.0056.01	1	
16	5.6700.10	1	
17	5.6728.00	1	
18	6.6200.87	1	Bc825

RP 67TF3BμP

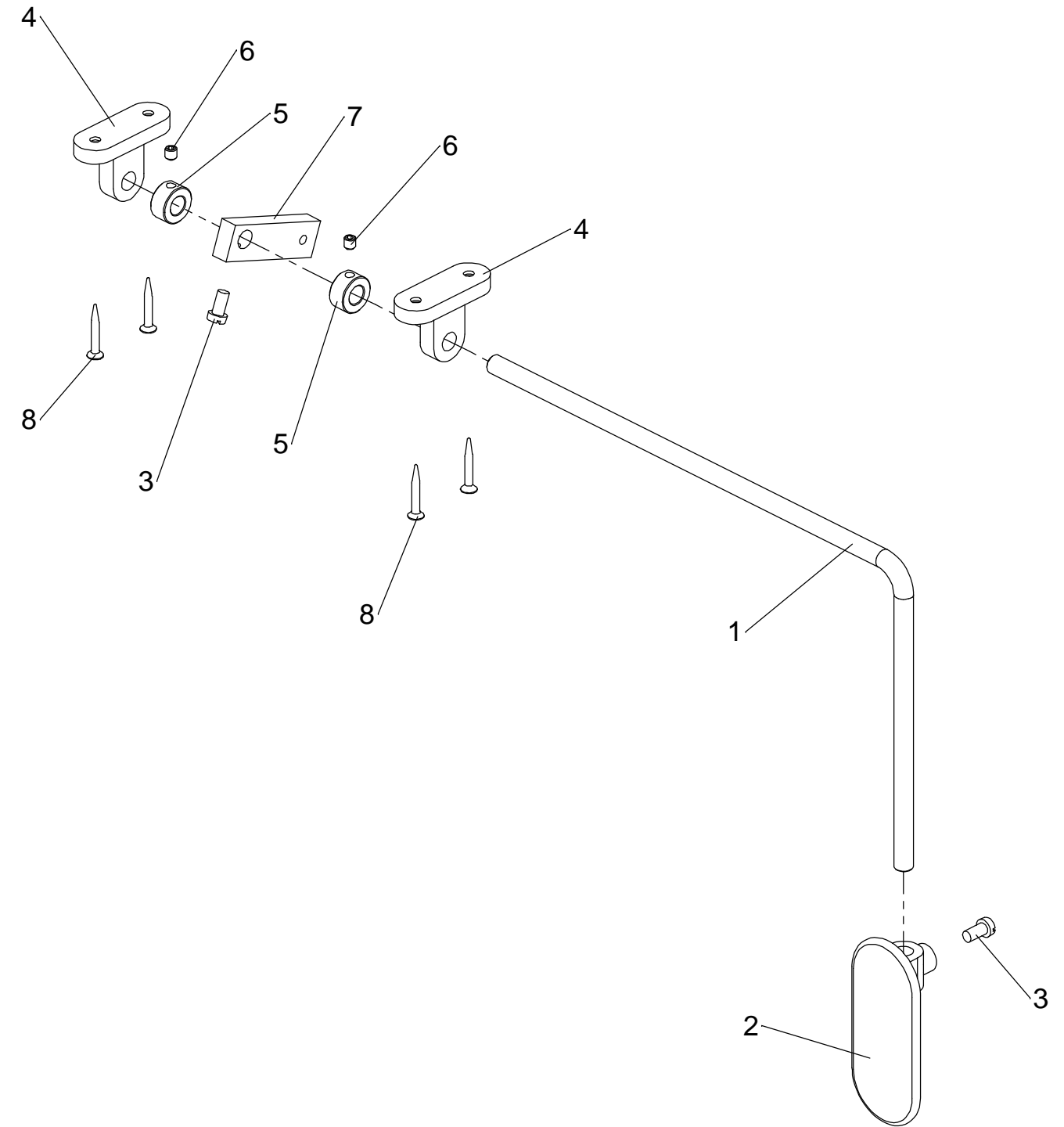
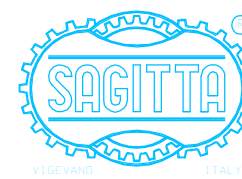


RP 67TF3BμP



Pos.	Codice	Q.tà	Note
1	5.2386.00	1	
2	5.4773.10	1	
3	6.6241.74	2	Tc612
4	6.4244.00	2	
5	5.2353.00	2	
6	6.6100.38	2	Gp66
7	5.2385.00	1	
8	6.6253.30	4	

RP 67TF3BμP



F. 26

Tav. 84993

RP 67TF3B μ P



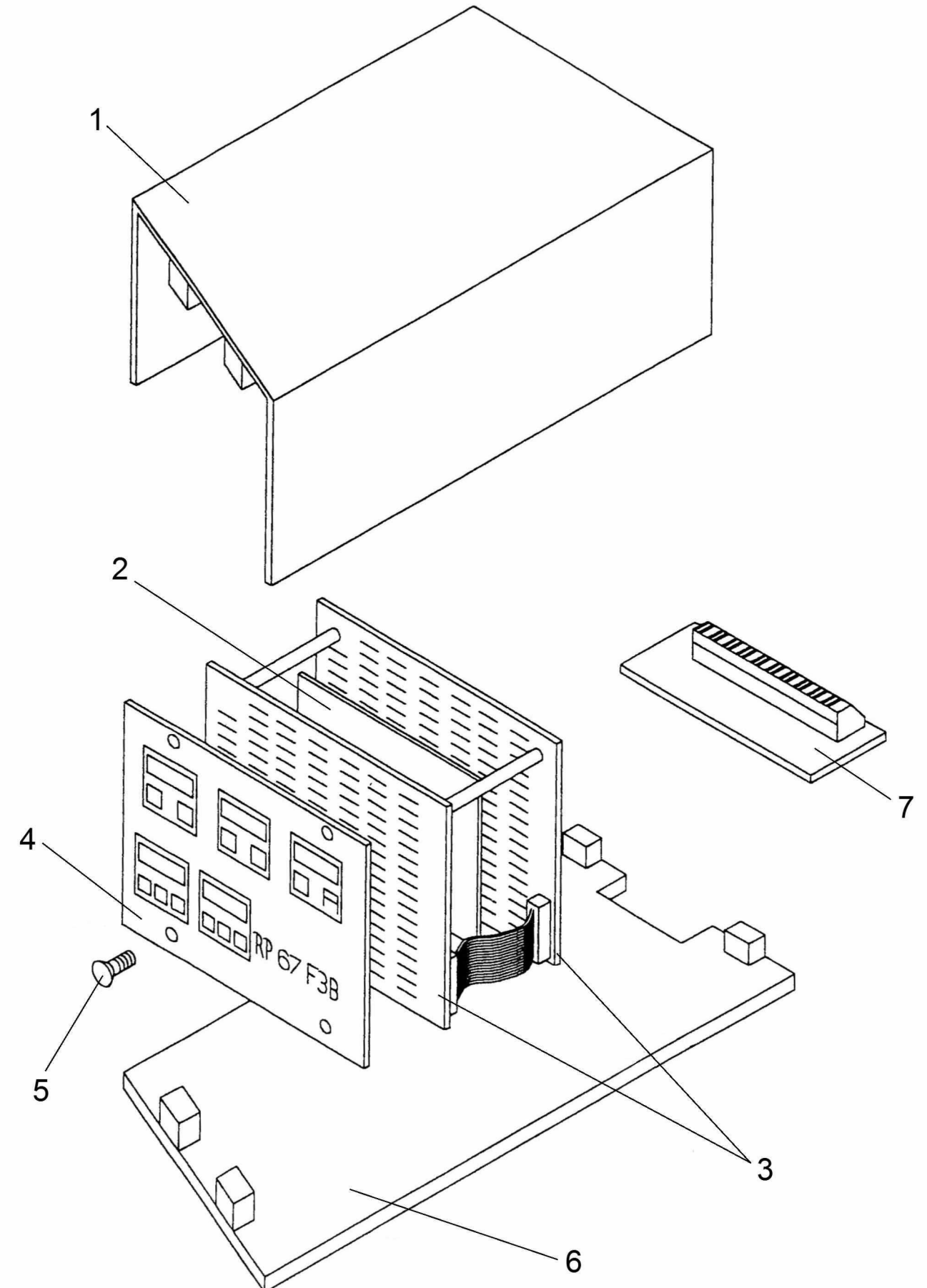
Pos.	Codice	Note
1	9.0350.00	
2	6.2126.69	
3	6.2126.70	
4	6.4999.62	
5	6.6260.36	BB48
6	9.0351.00	
7	6.2126.80	



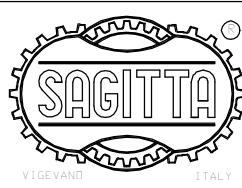
RP 67TF3B μ P

F. 27

Tav. 84994



RP 67TF3BμP



Pos.	Codice	Q.tà	Note
1	5.9450.00	1	
2	6.2125.26	1	
3	6.2056.51	1	
4	6.2136.01	7	
5	6.2093.10	6	
6	6.2093.16	15	
7	7.8587.00	1	
8	6.1725.00	1	
9	6.1768.01	3	
10	6.6205.41	4	BS 520
11	6.5050.03	12	D5
12	6.6160.03	4	Rb5
13	6.2129.24	1	
14	6.6160.04	4	RB6
15	6.6200.65	4	BC620



RP 67TF3BμP

