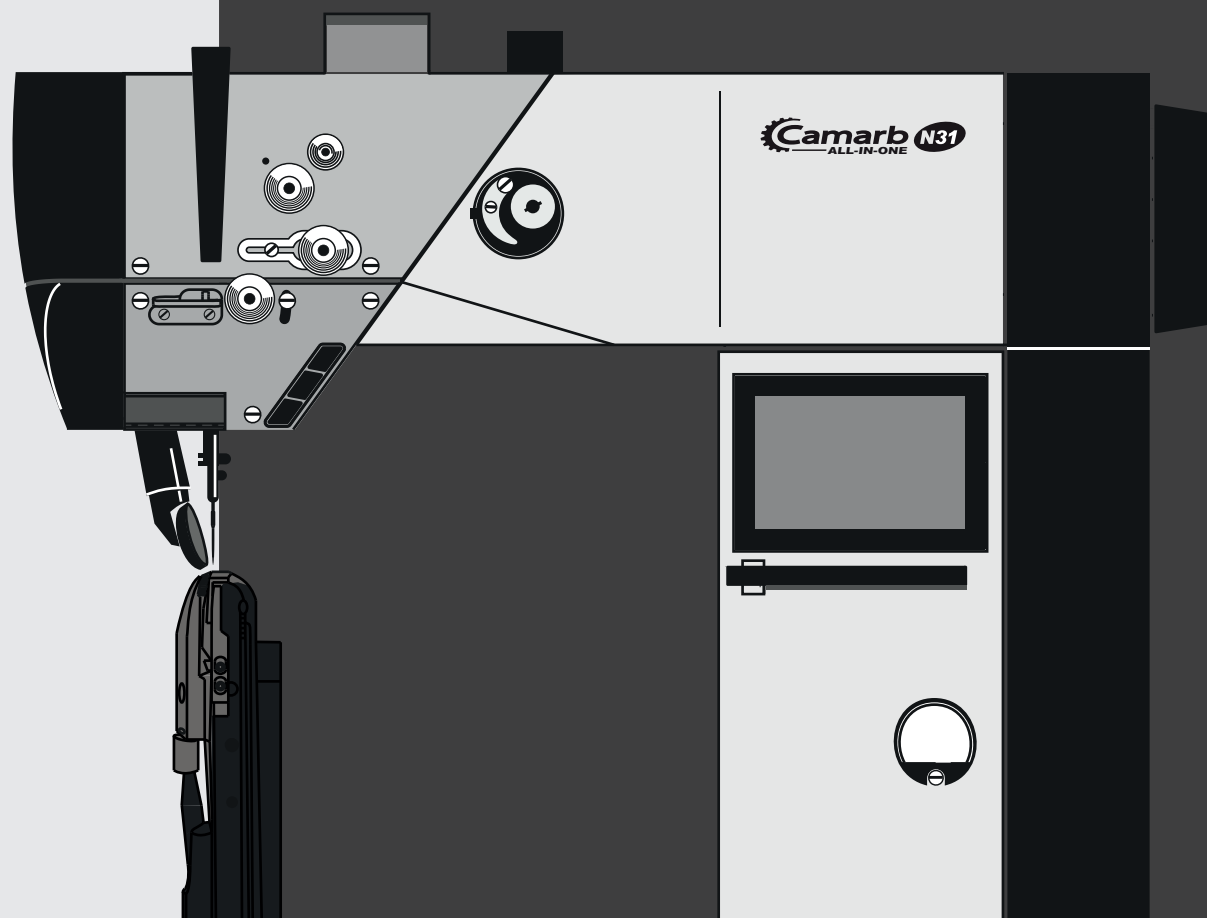




CATALOGO RICAMBI  
SPARE PARTS LIST

N31E-C997-CAS-RC-V2  
ALL-IN-ONE



# INDICE - INDEX - TABLE - INDICE

---

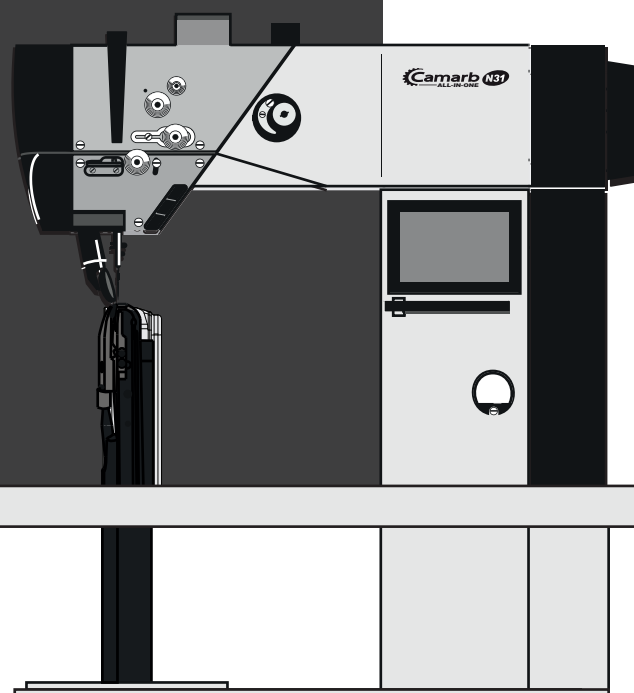
01	PEZZI DELLA MACCHINA	
	<i>MACHINE PARTS</i>	
	<i>PIECES DA LA MACHINE</i>	
	<i>PIESE PENTRU MASINA.....</i>	<i>PAG. 01 - 18</i>

---

02	LISTA CODICI	
	<i>CODE LIST</i>	
	<i>LISTE DE CODES</i>	
	<i>LISTA CU CODURI.....</i>	<i>PAG. 20 - 24</i>



**Camarb**  
professional sewing machines



## **PER ORDINI URGENTI**

*For urgents orders*  
*Pour des ordres urgents*  
*Pe bazà de comandà urgentà*

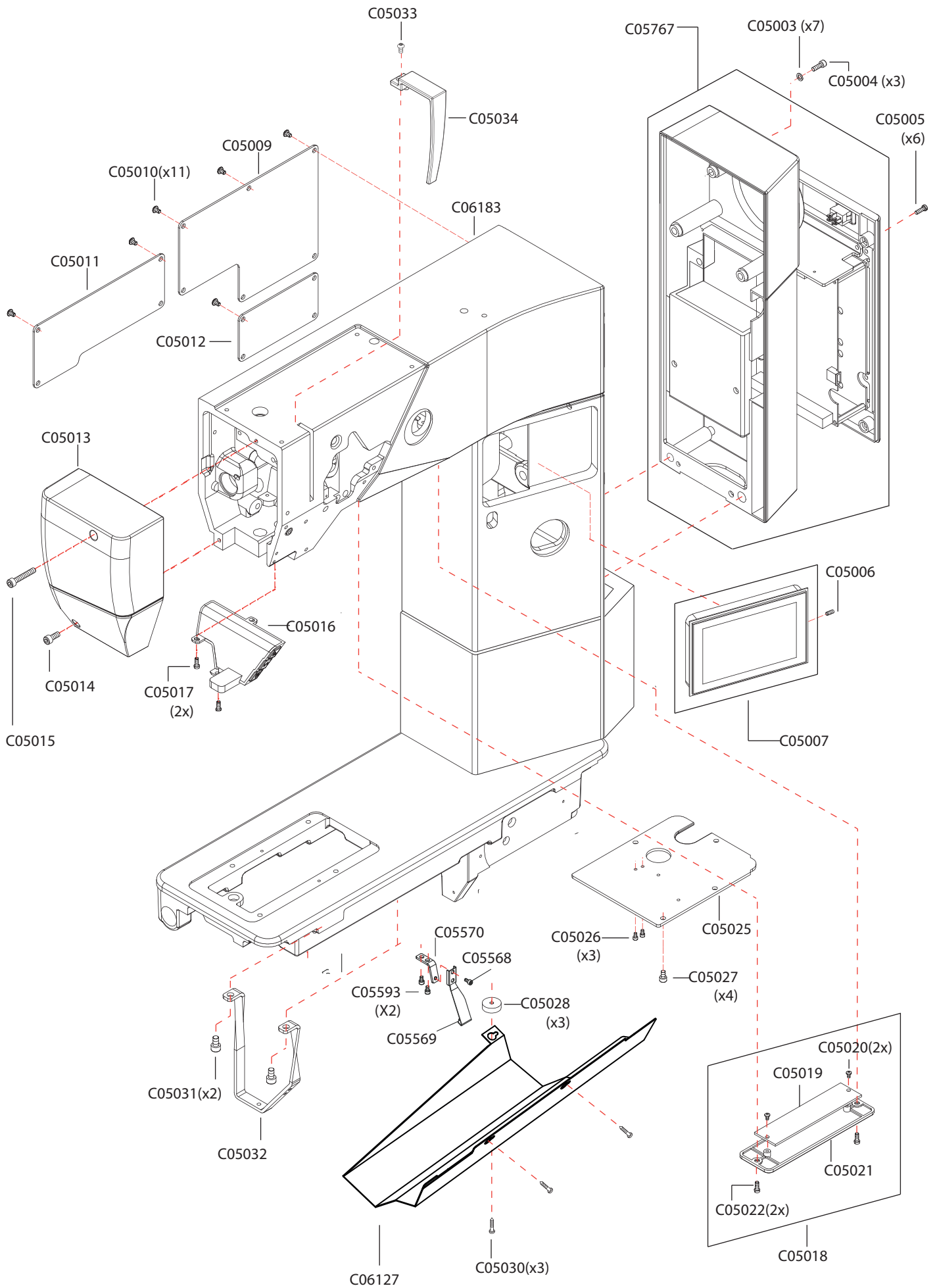
**Mail** [ricambi@bramac.it](mailto:ricambi@bramac.it)  
**Phone** + 39.0734.890103  
+ 39.0734.890912

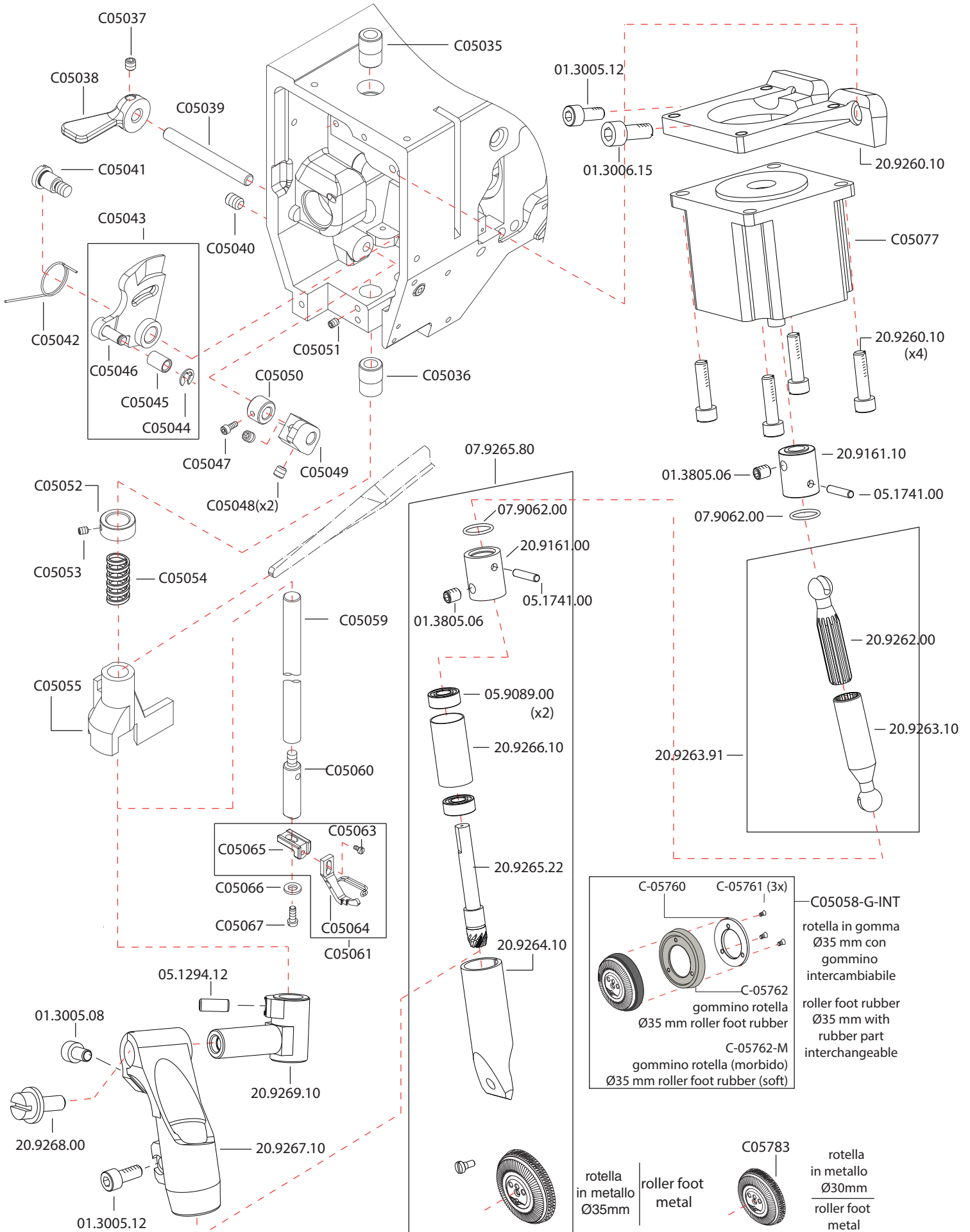
La ristampa, la riproduzione e la traduzione, anche di singoli passi, di manuali Camarb sono consentite solo attraverso nostra autorizzazione e con indicazione dell'origine.

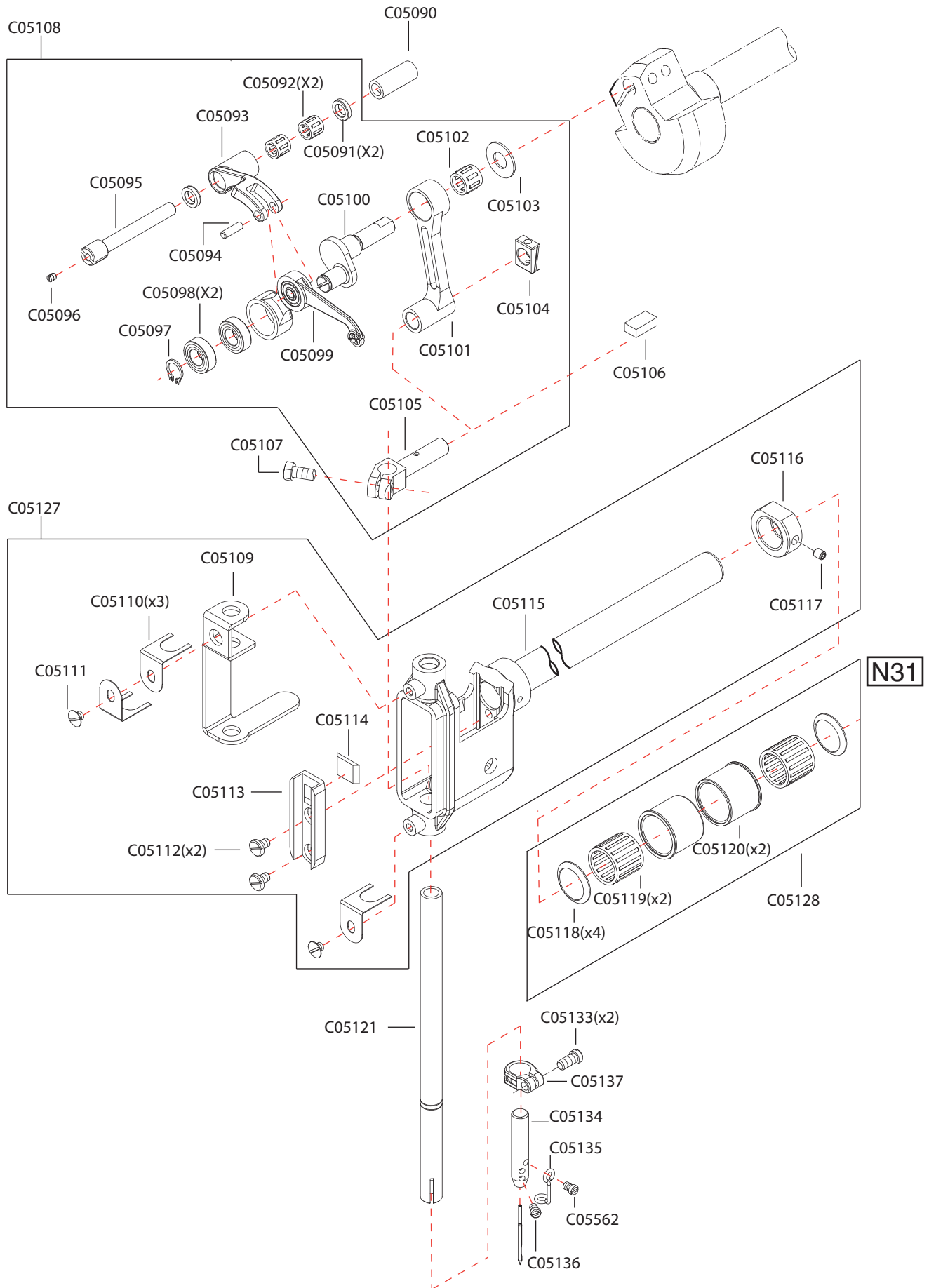
---

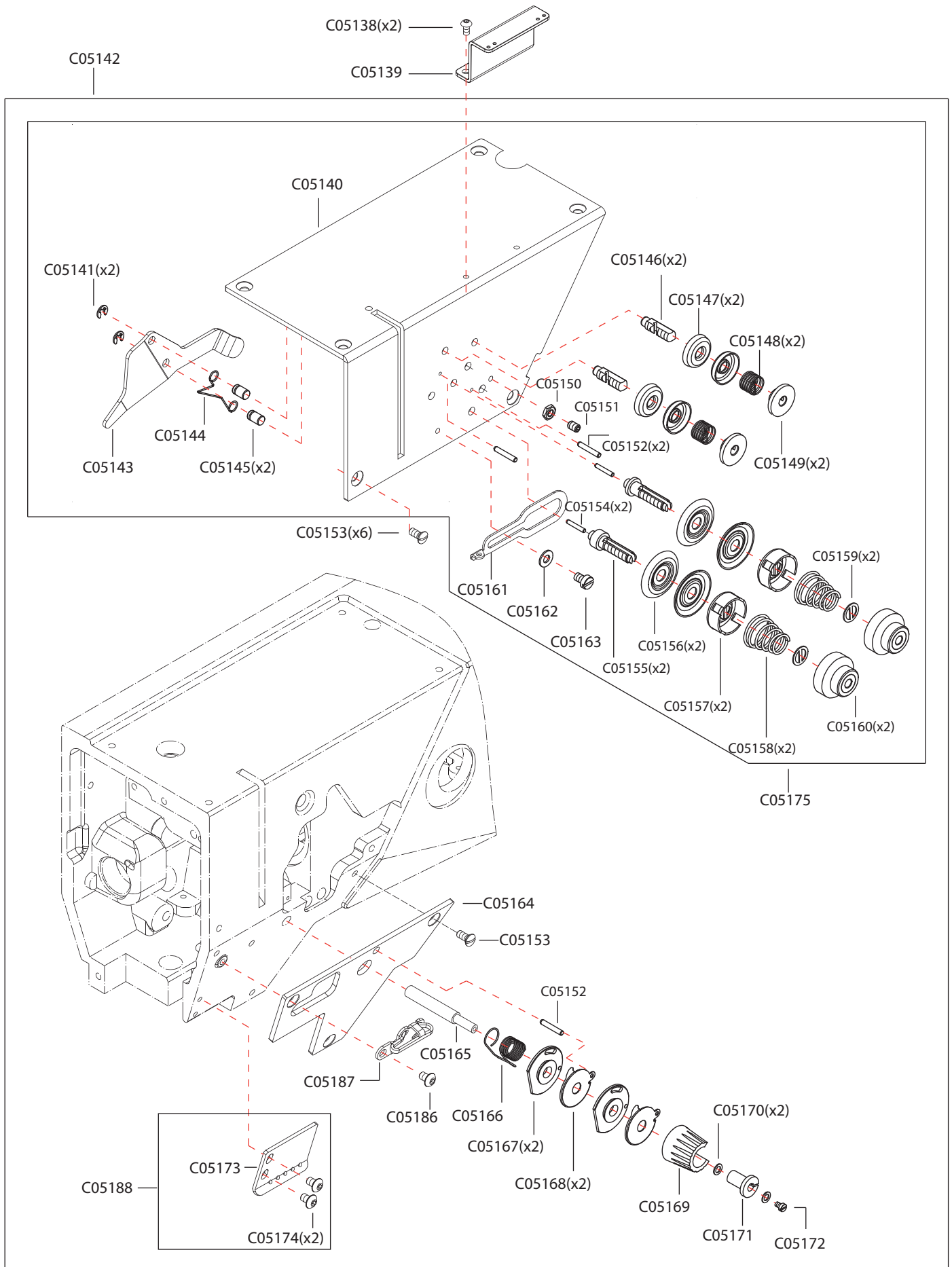


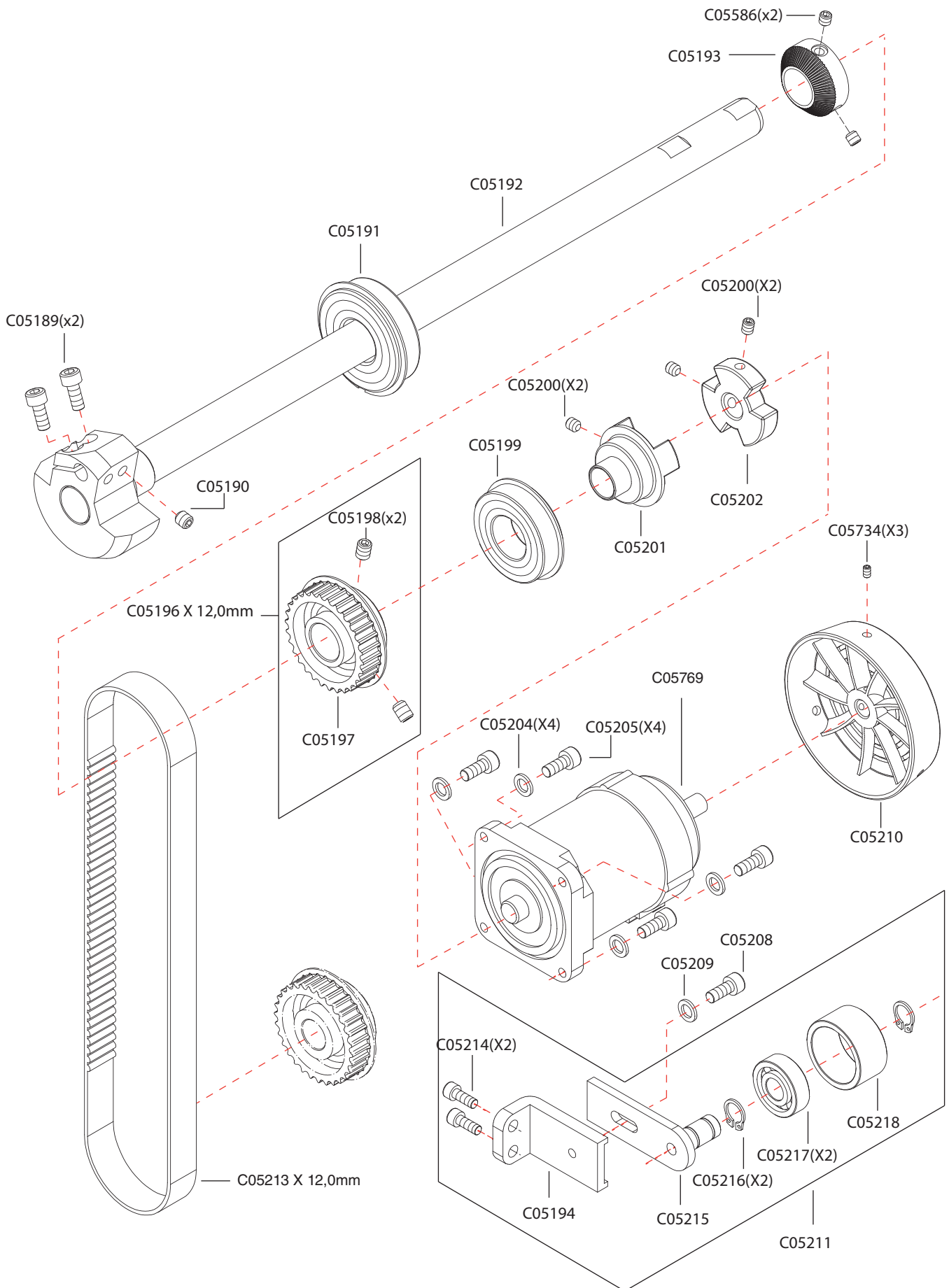
Via Alpi, 149-151-153  
Zona industriale Villa Luciani  
63812 Montegranaro (FM) Italy  
Phone: +39.0734.890103 - 890912  
Fax: +39.890154  
[www.bramac.it](http://www.bramac.it)  
[bramac@bramac.it](mailto:bramac@bramac.it)



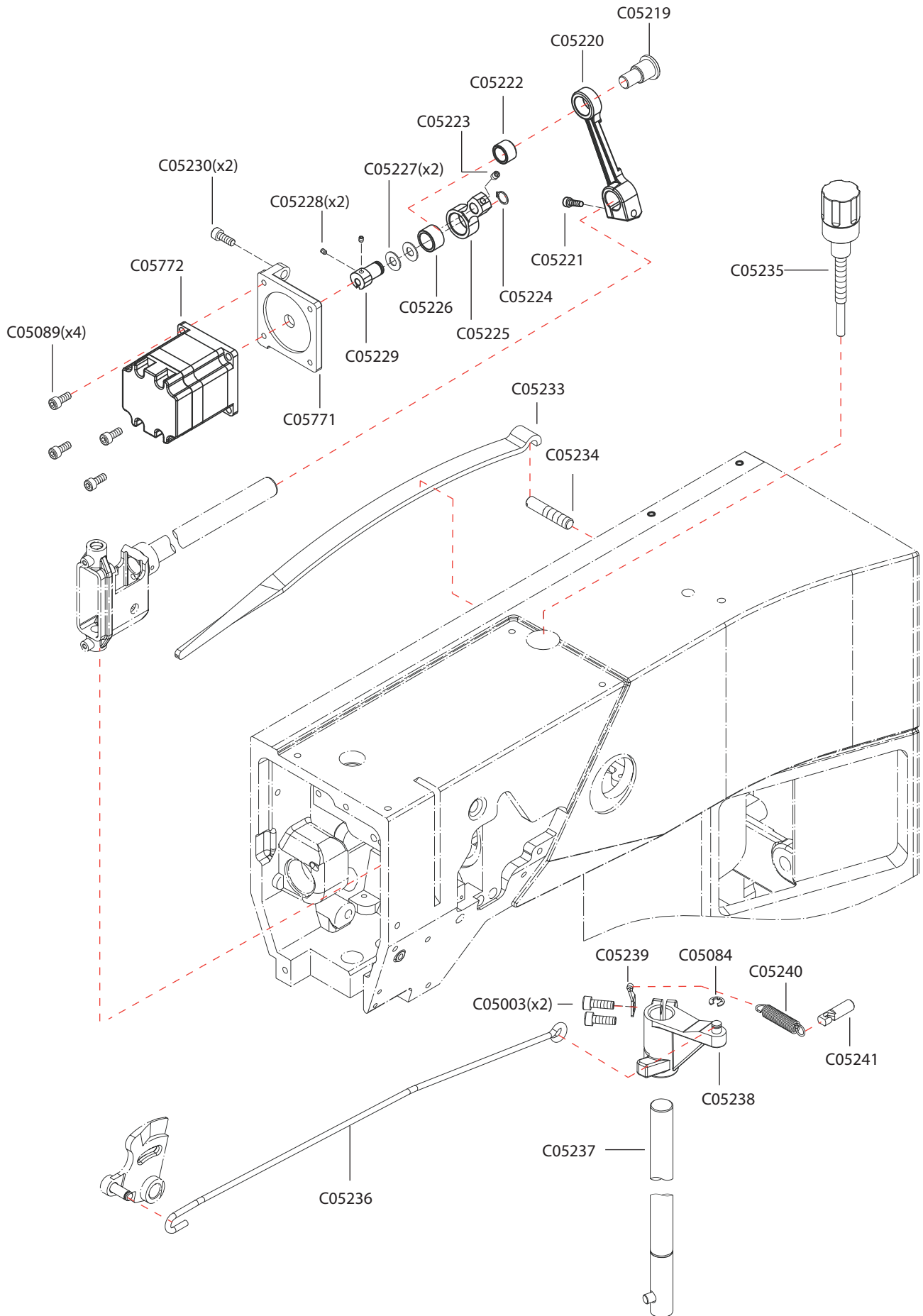


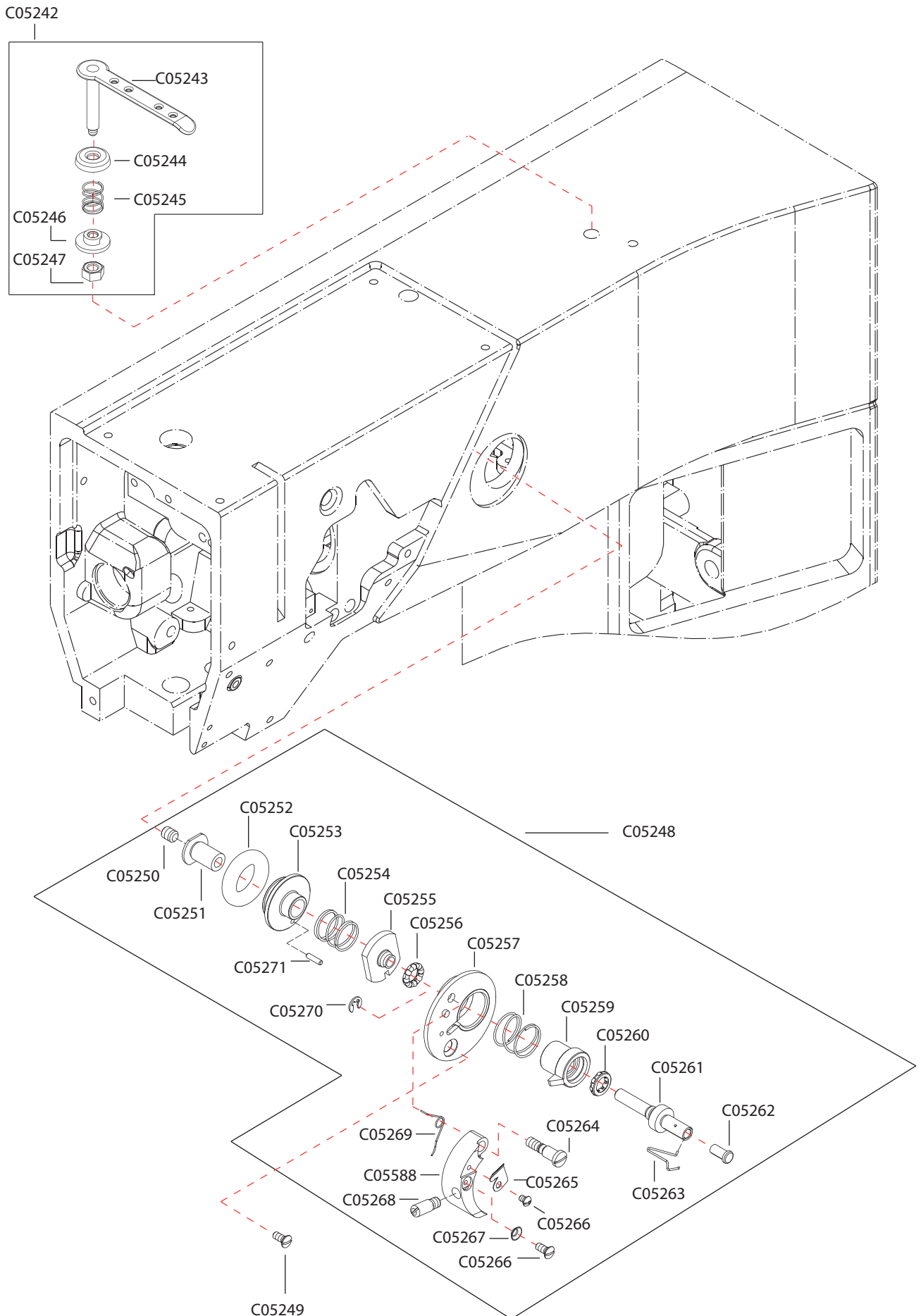


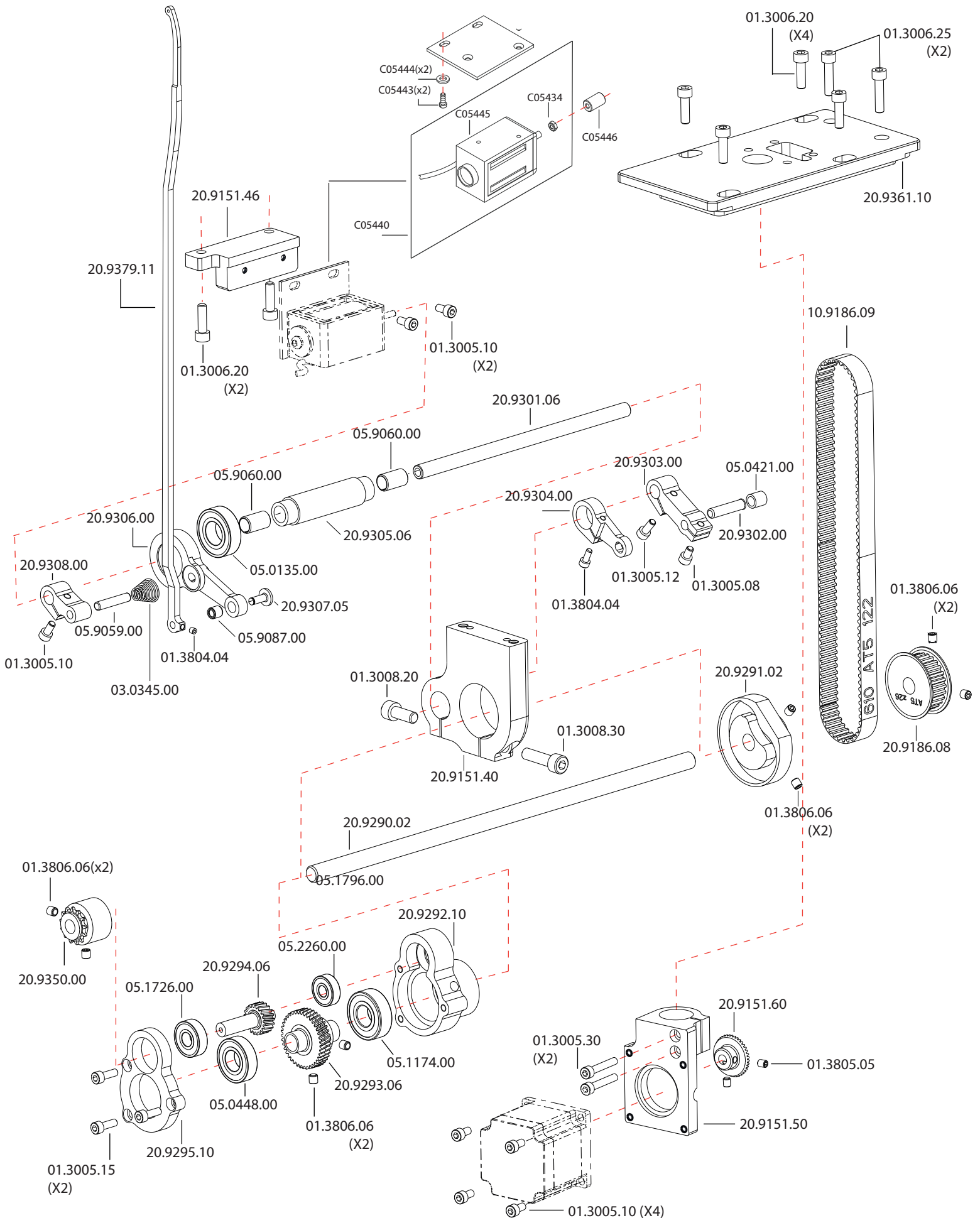


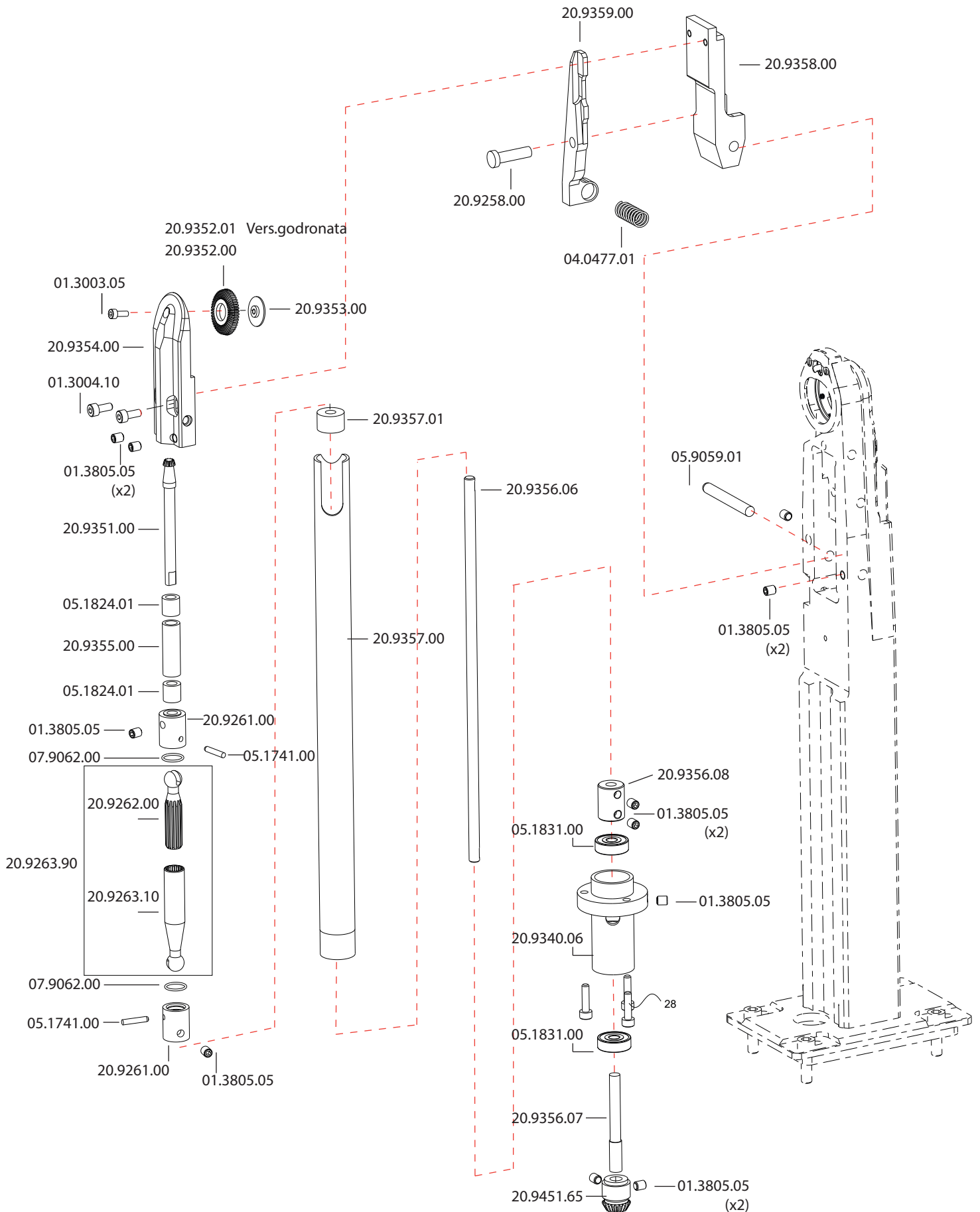


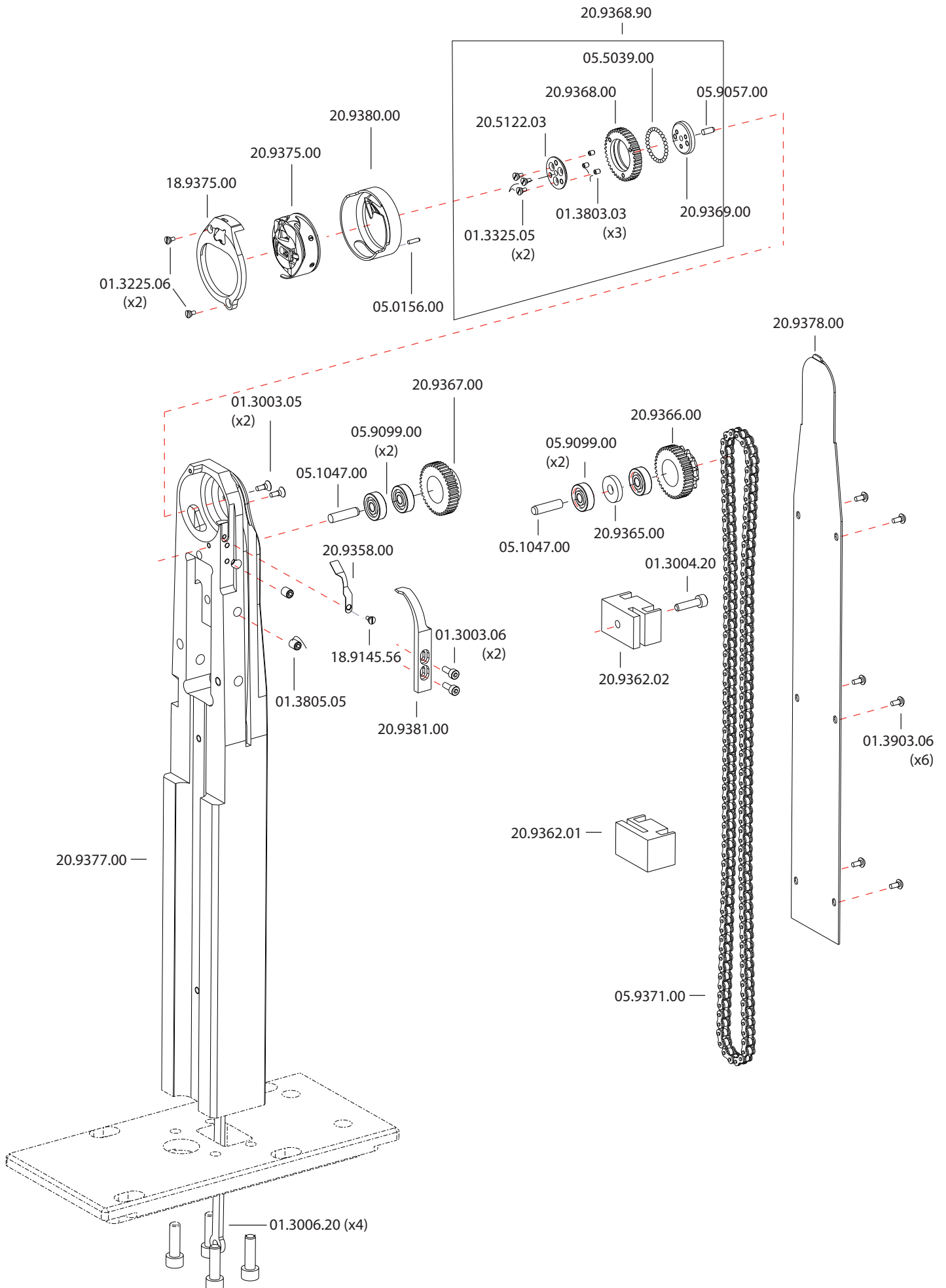


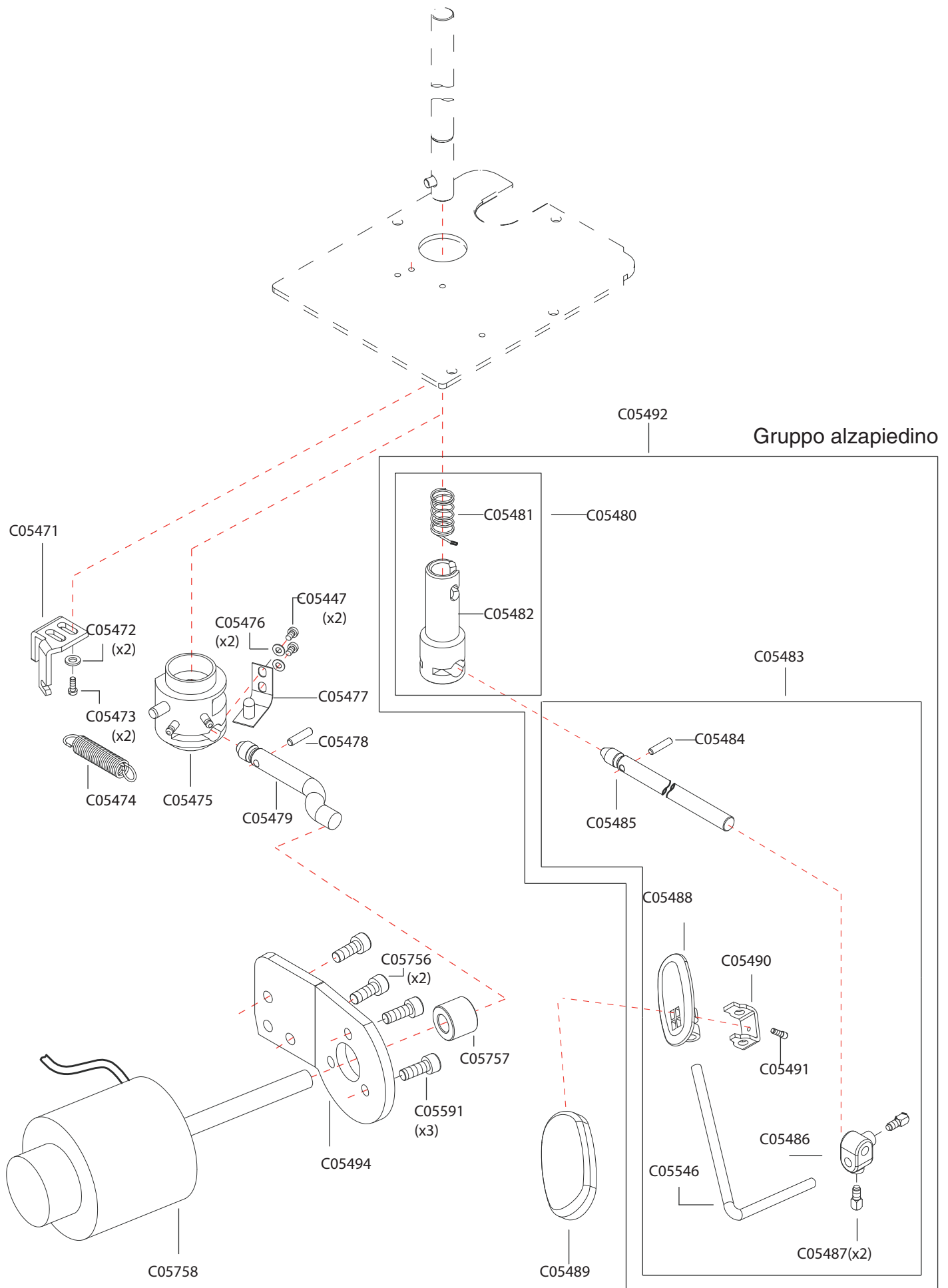


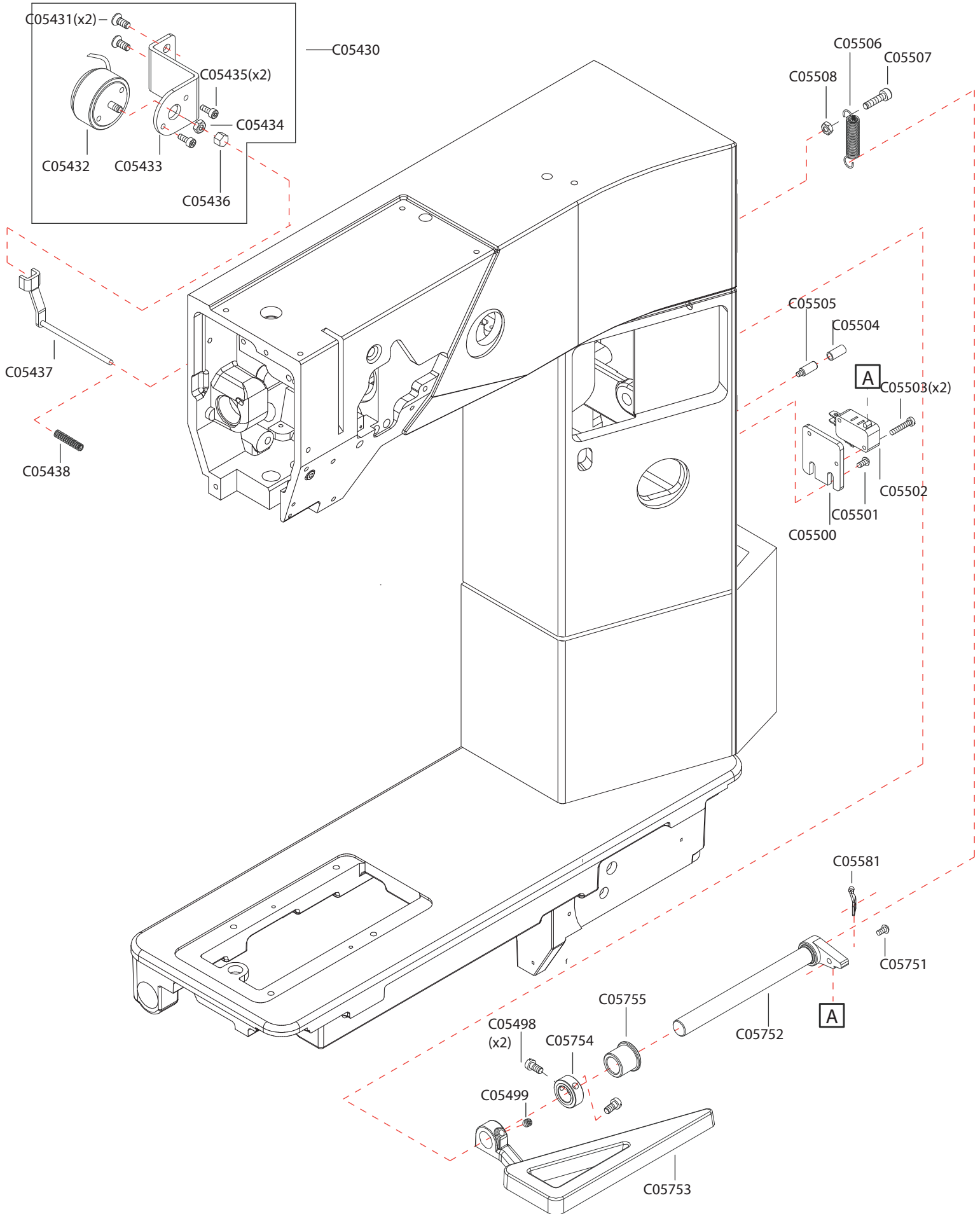


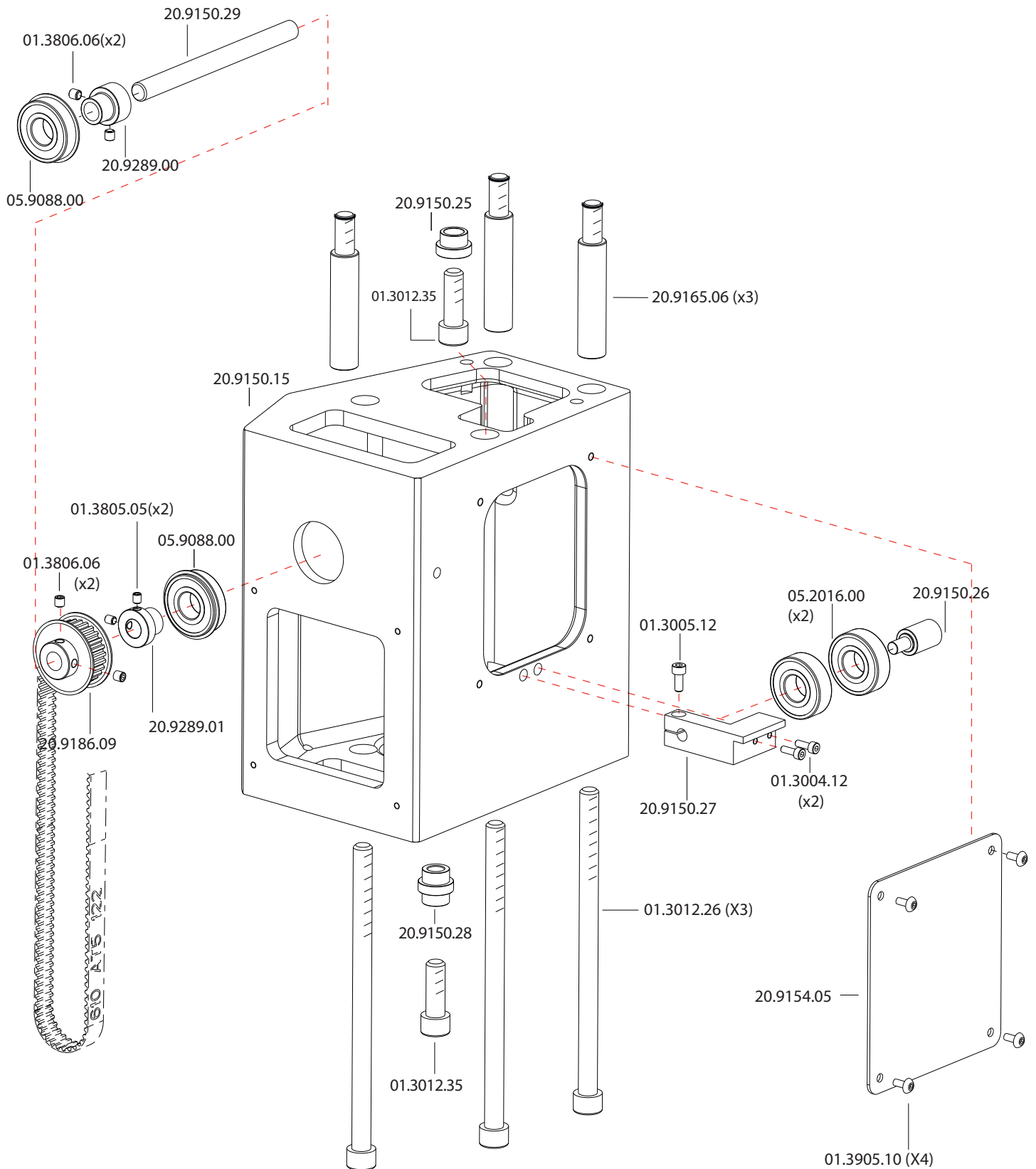




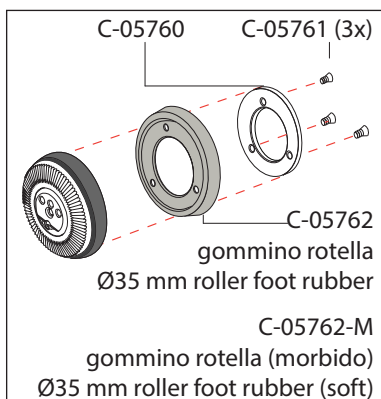
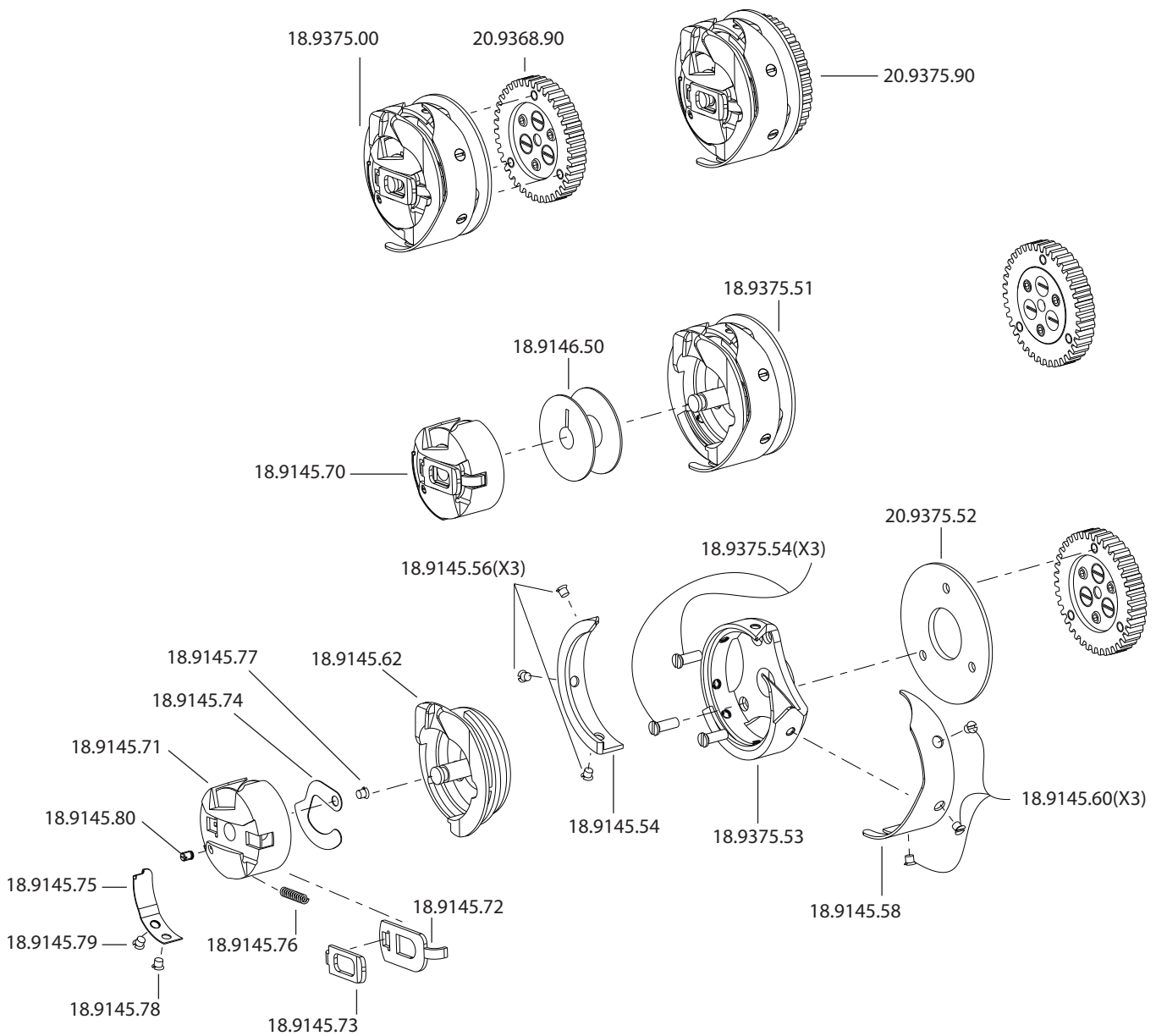






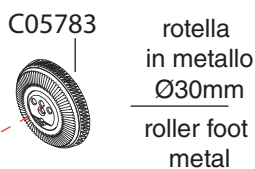
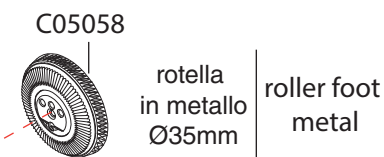


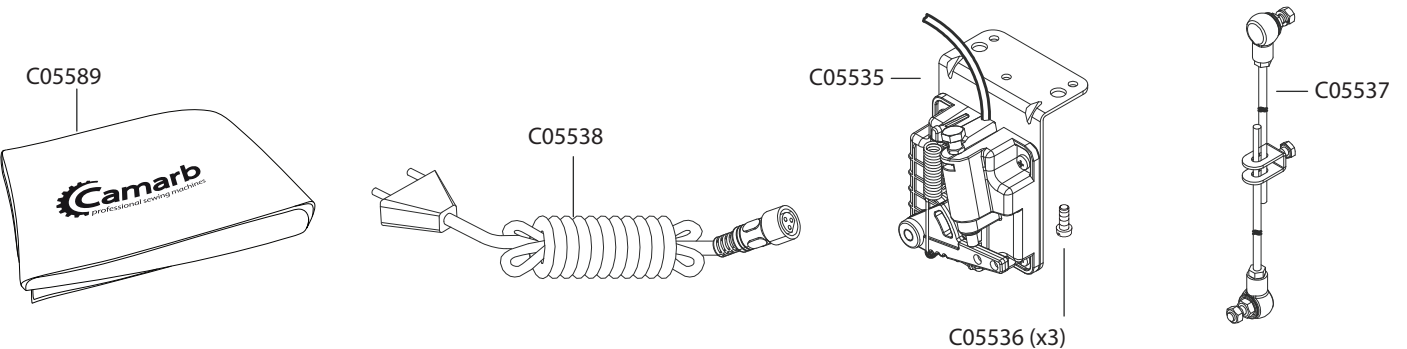
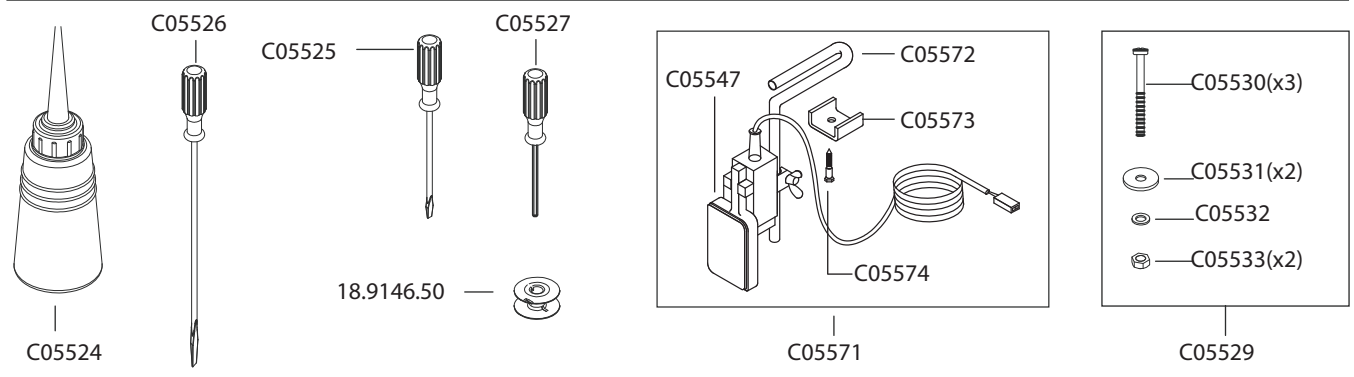
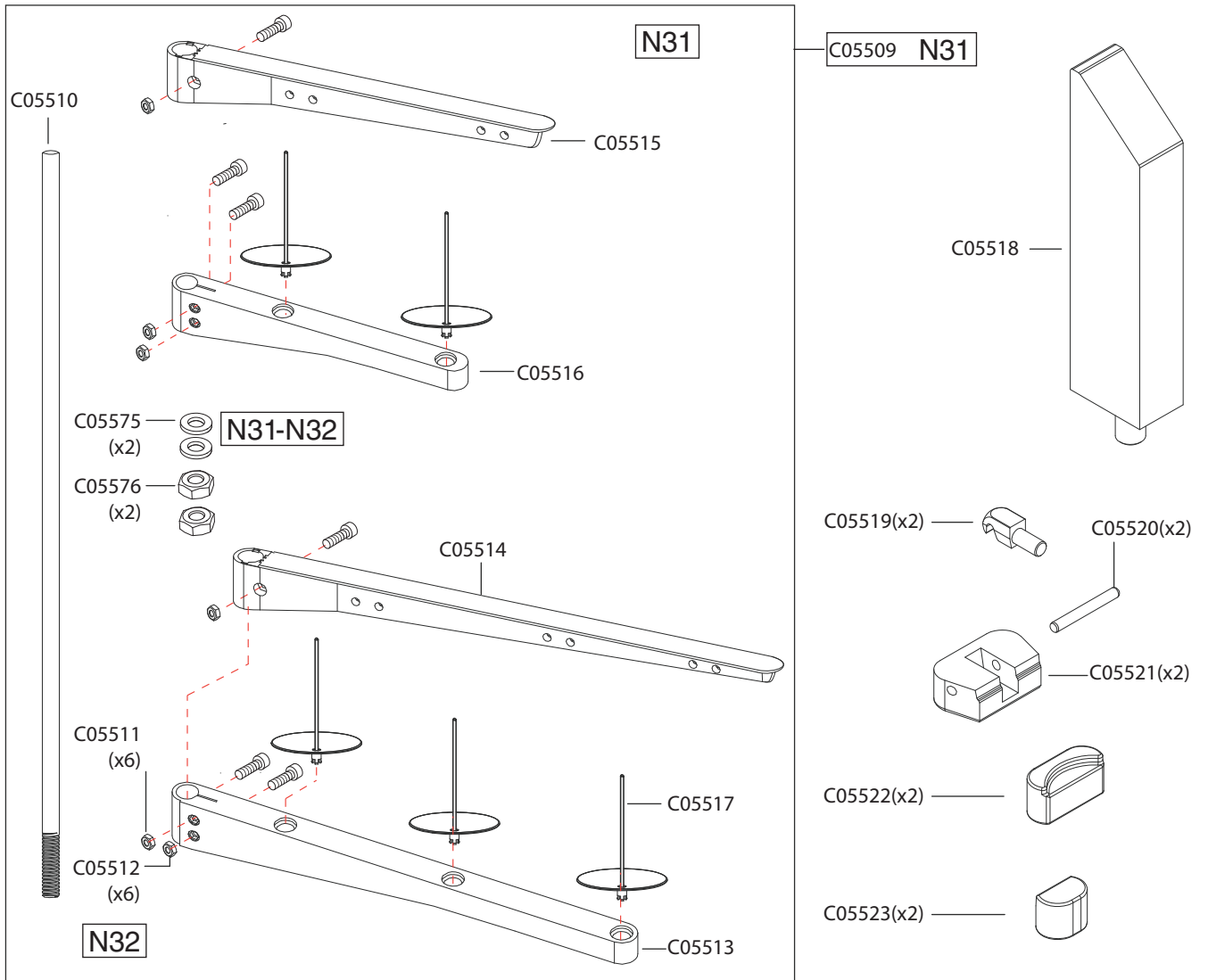


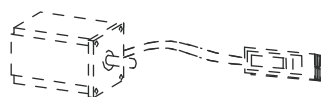
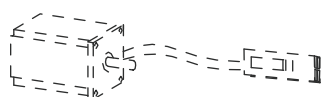
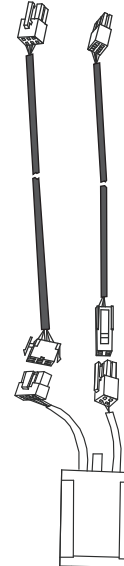
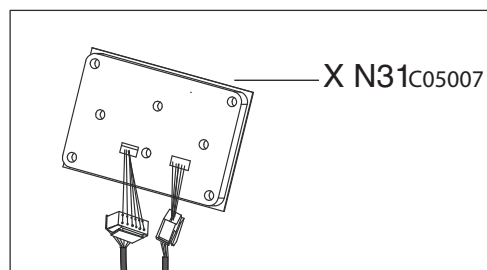
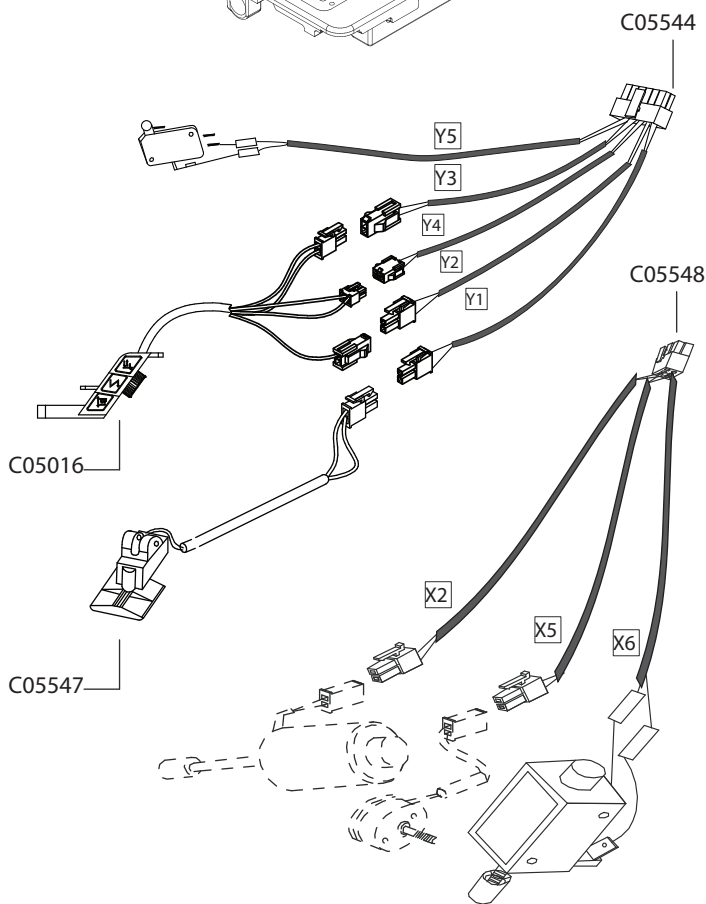
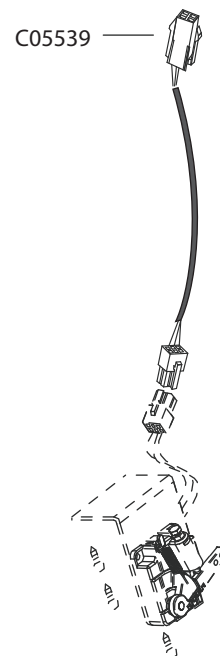
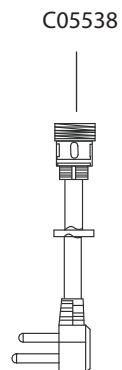
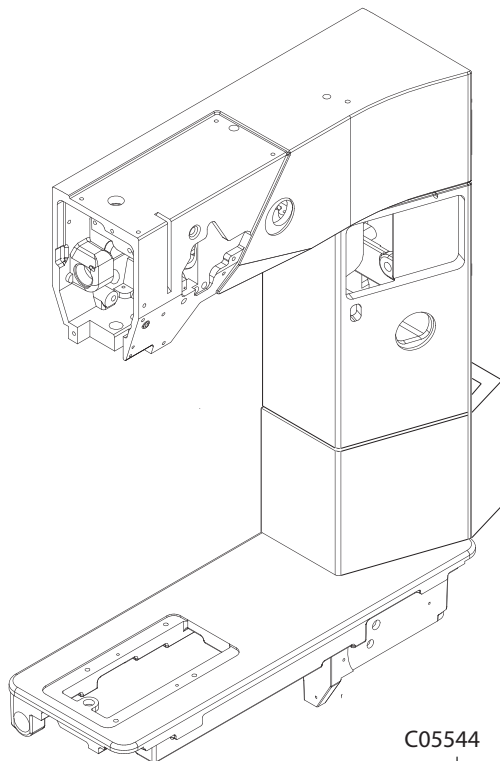


C05058-G-INT  
rotella in gomma  
Ø35 mm con  
gommino  
intercambiabile

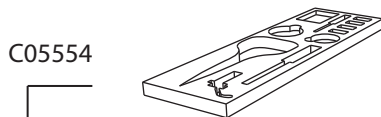
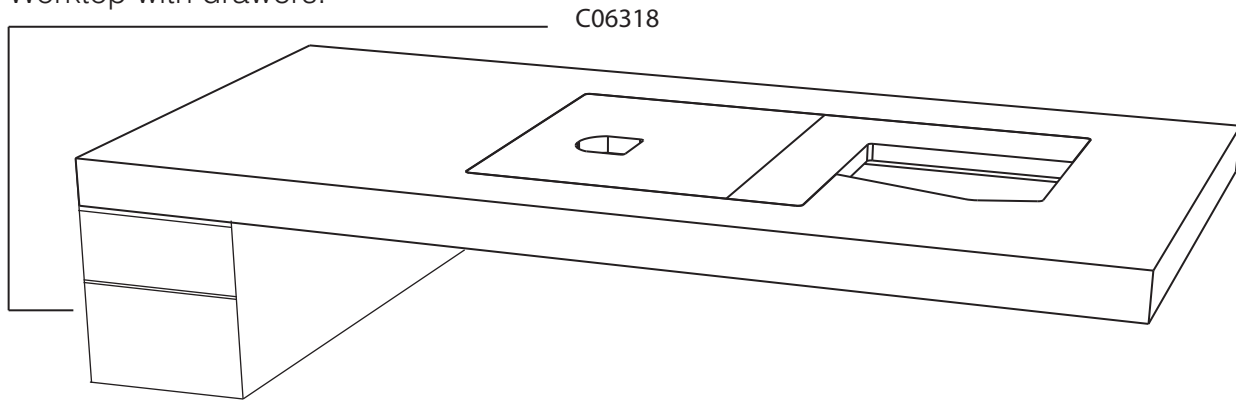
roller foot rubber  
Ø35 mm with  
rubber part  
interchangeable



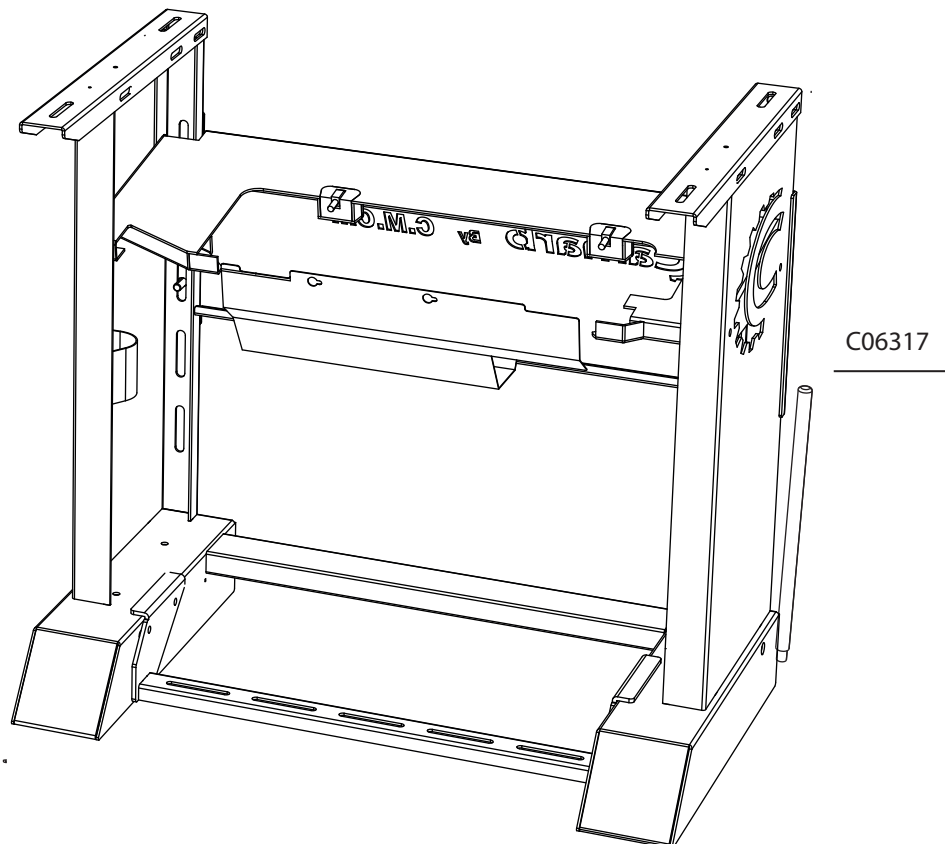




Piano di lavoro con cassetti.  
Worktop with drawers.



Interno cassetto  
Interior for drawer



Tavolo di supporto con ruote a scomparsa per movimentazione rapida.  
Support table with foldable wheels for moving fast.

A series of horizontal dashed lines spanning the width of the page, intended for handwritten notes.

01.3003.05.....09	01.3805.05 ..... 10	05.9087.00 ..... 08	20.9150.25..... 13	20.9301.06.....08
01.3003.05.....10	01.3805.05 ..... 13	05.9088.00 ..... 13	20.9150.26..... 13	20.9302.00.....08
01.3004.10.....09	01.3805.06 ..... 02	05.9088.00 ..... 13	20.9150.27..... 13	20.9303.00.....08
01.3004.12.....13	01.3805.06 ..... 02	05.9089.00 ..... 02	20.9150.28..... 13	20.9304.00.....08
01.3004.20.....10	01.3806.06 ..... 08	05.9099.00 ..... 10	20.9150.29..... 13	20.9305.06.....08
01.3005.08.....02	01.3806.06 ..... 08	05.9099.00 ..... 10	20.9151.46..... 08	20.9306.00.....08
01.3005.08.....08	01.3806.06 ..... 08	05.9371.00 ..... 10	20.9151.50..... 08	20.9307.05.....08
01.3005.10.....08	01.3806.06 ..... 08	07.9062.00 ..... 02	20.9151.60..... 08	20.9308.00.....08
01.3005.10.....08	01.3806.06 ..... 13	07.9062.00 ..... 02	20.9154.05..... 13	20.9340.06.....09
01.3005.10.....08	01.3806.06 ..... 13	07.9062.00 ..... 09	20.9161.00..... 02	20.9350.00.....08
01.3005.12.....02	01.3903.06 ..... 10	07.9062.00 ..... 09	20.9161.10..... 02	20.9351.00.....09
01.3005.12.....02	01.3905.10 ..... 13	07.9265.80 ..... 02	20.9165.06..... 13	20.9352.00.....09
01.3005.12.....08	03.0345.00 ..... 08	10.9186.09 ..... 08	20.9186.08 ..... 08	20.9352.01.....09
01.3005.12.....13	04.0477.01 ..... 09	18.9145.54 ..... 14	20.9186.09 ..... 13	20.9353.00.....09
01.3005.30.....08	05.0135.00 ..... 08	18.9145.56 ..... 10	20.9258.00..... 09	20.9354.00.....09
01.3006.15.....02	05.0156.00 ..... 10	18.9145.56 ..... 14	20.9260.10..... 02	20.9355.00.....09
01.3006.20.....08	05.0421.00 ..... 08	18.9145.58 ..... 14	20.9260.10..... 02	20.9356.06.....09
01.3006.20.....10	05.0448.00 ..... 08	18.9145.60 ..... 14	20.9261.00..... 09	20.9356.07.....09
01.3006.20.....13	05.1047.00 ..... 10	18.9145.62 ..... 14	20.9261.00..... 09	20.9356.08.....09
01.3006.25.....13	05.1047.00 ..... 10	18.9145.70 ..... 14	20.9262.00..... 02	20.9357.00.....09
01.3008.20.....08	05.1174.00 ..... 08	18.9145.71 ..... 14	20.9262.00..... 09	20.9357.01.....09
01.3008.30.....08	05.1294.12 ..... 02	18.9145.72 ..... 14	20.9263.10..... 02	20.9358.00.....09
01.3012.26.....13	05.1741.00 ..... 02	18.9145.73 ..... 14	20.9263.10..... 09	20.9358.00.....10
01.3012.35.....13	05.1741.00 ..... 02	18.9145.74 ..... 14	20.9263.90..... 09	20.9359.00.....09
01.3012.35.....13	05.1741.00 ..... 02	18.9145.75 ..... 14	20.9263.91..... 02	20.9361.10.....08
01.305.15.....08	05.1741.00 ..... 09	18.9145.76 ..... 14	20.9264.10..... 02	20.9362.01.....10
01.3225.06.....10	05.1741.00 ..... 09	18.9145.77 ..... 14	20.9265.22..... 02	20.9362.02.....10
01.3325.05.....10	05.1796.00 ..... 08	18.9145.78 ..... 14	20.9266.10..... 02	20.9365.00.....10
01.3803.03.....10	05.1824.01 ..... 09	18.9145.79 ..... 14	20.9267.10..... 02	20.9366.00.....10
01.3804.04.....08	05.1824.01 ..... 09	18.9145.80 ..... 14	20.9268.00..... 02	20.9367.00.....10
01.3804.04.....08	05.1831.00 ..... 09	18.9146.50 ..... 14	20.9269.10..... 02	20.9368.00.....10
01.3805.05.....08	05.1831.00 ..... 09	18.9146.50 ..... 15	20.9289.00..... 13	20.9368.90.....10
01.3805.05.....09	05.2016.00 ..... 13	18.9375.00 ..... 10	20.9289.01..... 13	20.9368.90.....14
01.3805.05.....09	05.2260.00 ..... 08	18.9375.00 ..... 14	20.9290.02..... 08	20.9369.00.....10
01.3805.05.....09	05.5039.00 ..... 10	18.9375.51 ..... 14	20.9291.02..... 08	20.9375.00.....10
01.3805.05.....09	05.9057.00 ..... 10	18.9375.53 ..... 14	20.9292.10..... 08	20.9375.52.....14
01.3805.05.....09	05.9059.00 ..... 08	18.9375.54 ..... 14	20.9293.06..... 08	20.9375.90.....14
01.3805.05.....09	05.9059.01 ..... 09	20.5122.03 ..... 10	20.9294.06..... 08	20.9377.00.....10
01.3805.05.....09	05.9060.00 ..... 08	20.9150.15 ..... 13	20.9295.10..... 08	20.9378.00.....10

20.9379.11.....08	C05036.....02	C05091.....03	C05138.....04	C05187.....04
20.9380.00.....10	C05037.....02	C05092.....03	C05139.....04	C05188.....04
20.9381.00.....10	C05038.....02	C05093.....03	C05140.....04	C05189.....05
20.9451.65.....09	C05039.....02	C05094.....03	C05141.....04	C05190.....05
20.9515.40.....08	C05039.....02	C05095.....03	C05142.....04	C05191.....05
C05003.....06	C05040.....02	C05096.....03	C05143.....04	C05192.....05
C05003.....06	C05041.....02	C05097.....03	C05144.....04	C05193.....05
C05004.....01	C05042.....02	C05098.....03	C05145.....04	C05194.....05
C05005.....01	C05043.....02	C05099.....03	C05146.....04	C05196.....05
C05006.....01	C05044.....02	C05100.....03	C05147.....04	C05197.....05
C05007.....01	C05045.....02	C05101.....03	C05148.....04	C05198.....05
C05007.....16	C05046.....02	C05102.....03	C05149.....04	C05199.....05
C05007.....17	C05047.....02	C05103.....03	C05150.....04	C05200.....05
C05009.....01	C05048.....02	C05104.....03	C05151.....04	C05201.....05
C05011.....01	C05049.....02	C05105.....03	C05152.....04	C05202.....05
C05012.....01	C05050.....02	C05106.....03	C05152.....04	C05204.....05
C05013.....01	C05051.....02	C05107.....03	C05153.....04	C05205.....05
C05014.....01	C05052.....02	C05108.....03	C05154.....04	C05208.....05
C05015.....01	C05053.....02	C05109.....03	C05155.....04	C05209.....05
C05016.....01	C05054.....02	C05110.....03	C05156.....04	C05210.....05
C05016.....16	C05055.....02	C05111.....03	C05157.....04	C05211.....05
C05016.....17	C05058.....02	C05112.....03	C05158.....04	C05213.....05
C05017.....01	C05058.....14	C05113.....03	C05159.....04	C05214.....05
C05018.....01	C05058.....15	C05114.....03	C05160.....04	C05215.....05
C05019.....01	C05058-G-INT.....02	C05115.....03	C05161.....04	C05216.....05
C05020.....01	C05058-G-INT.....14	C05116.....03	C05162.....04	C05217.....05
C05020.....01	C05058-G-INT.....15	C05117.....03	C05163.....04	C05218.....05
C05021.....01	C05059.....02	C05118.....03	C05164.....04	C05219.....06
C05022.....01	C05060.....02	C05119.....03	C05165.....04	C05220.....06
C05025.....01	C05061.....02	C05120.....03	C05166.....04	C05221.....06
C05026.....01	C05063.....02	C05121.....03	C05167.....04	C05222.....06
C05027.....01	C05064.....02	C05121.....03	C05168.....04	C05223.....06
C05028.....01	C05065.....02	C05127.....03	C05169.....04	C05224.....06
C05030.....01	C05066.....02	C05128.....03	C05170.....04	C05225.....06
C05031.....01	C05067.....02	C05133.....03	C05171.....04	C05226.....06
C05032.....01	C05072.....02	C05134.....03	C05172.....04	C05227.....06
C05033.....01	C05077.....02	C05135.....03	C05173.....04	C05228.....06
C05034.....01	C05089.....06	C05136.....03	C05174.....04	C05229.....06
C05035.....02	C05090.....03	C05137.....03	C05186.....04	C05230.....06

C05233 .....06	C05437 ..... 12	C05498 ..... 12	C05539 ..... 16	C05760 .....14
C05234 .....06	C05438 ..... 12	C05499 ..... 12	C05542 ..... 16	C05761 .....02
C05235 .....06	C05440 ..... 08	C05500 ..... 12	C05543 ..... 16	C05761 .....14
C05236 .....06	C05443 ..... 08	C05501 ..... 12	C05544 ..... 16	C05762 .....02
C05237 .....06	C05444 ..... 08	C05502 ..... 12	C05546 ..... 11	C05762 .....14
C05238 .....06	C05445 ..... 08	C05503 ..... 12	C05547 ..... 15	C05762-M .....02
C05239 .....06	C05446 ..... 13	C05504 ..... 12	C05547 ..... 16	C05762-M .....14
C05240 .....06	C05447 ..... 11	C05505 ..... 12	C05548 ..... 16	C05769 .....05
C05241 .....06	C05464 ..... 07	C05506 ..... 12	C05549 ..... 16	C05771 .....06
C05242 .....07	C05465 ..... 07	C05507 ..... 12	C05550 ..... 16	C05772 .....06
C05243 .....07	C05466 ..... 07	C05508 ..... 12	C05551 ..... 16	C05783 .....02
C05244 .....07	C05467 ..... 07	C05509 ..... 15	C05552 ..... 16	C05783 .....14
C05245 .....07	C05468 ..... 07	C05510 ..... 15	C05554 ..... 16	C06183 .....01
C05246 .....07	C05469 ..... 07	C05511 ..... 15	C05562 ..... 03	C06317 .....16
C05247 .....07	C05470 ..... 07	C05512 ..... 15	C05568 ..... 02	C06318 .....16
C05248 .....07	C05471 ..... 07	C05513 ..... 15	C05569 ..... 01	
C05249 .....07	C05471 ..... 11	C05514 ..... 15	C05570 ..... 02	
C05250 .....07	C05472 ..... 11	C05515 ..... 15	C05571 ..... 15	
C05251 .....07	C05473 ..... 11	C05516 ..... 15	C05572 ..... 15	
C05252 .....07	C05474 ..... 11	C05517 ..... 15	C05573 ..... 15	
C05253 .....07	C05475 ..... 11	C05518 ..... 15	C05574 ..... 15	
C05254 .....07	C05476 ..... 11	C05519 ..... 15	C05575 ..... 15	
C05255 .....07	C05477 ..... 11	C05520 ..... 15	C05576 ..... 15	
C05356 .....07	C05478 ..... 11	C05521 ..... 15	C05581 ..... 12	
C05357 .....07	C05479 ..... 11	C05522 ..... 15	C05586 ..... 05	
C05358 .....07	C05480 ..... 11	C05523 ..... 15	C05588 ..... 07	
C05359 .....07	C05481 ..... 11	C05525 ..... 15	C05589 ..... 15	
C05360 .....07	C05482 ..... 11	C05526 ..... 15	C05591 ..... 11	
C05361 .....07	C05483 ..... 11	C05527 ..... 15	C05593 ..... 01	
C05362 .....07	C05484 ..... 11	C05529 ..... 15	C05734 ..... 05	
C05363 .....07	C05485 ..... 11	C05530 ..... 15	C05751 ..... 12	
C05430 .....12	C05486 ..... 11	C05531 ..... 15	C05752 ..... 12	
C05431 .....12	C05487 ..... 11	C05532 ..... 15	C05753 ..... 12	
C05432 .....12	C05488 ..... 11	C05533 ..... 15	C05754 ..... 12	
C05433 .....12	C05489 ..... 11	C05535 ..... 15	C05755 ..... 12	
C05434 .....08	C05490 ..... 11	C05536 ..... 15	C05756 ..... 11	
C05434 .....12	C05491 ..... 11	C05537 ..... 15	C05757 ..... 11	
C05435 .....12	C05492 ..... 11	C05538 ..... 15	C05758 ..... 11	
C05436 .....12	C05494 ..... 11	C05538 ..... 16	C05760 ..... 02	



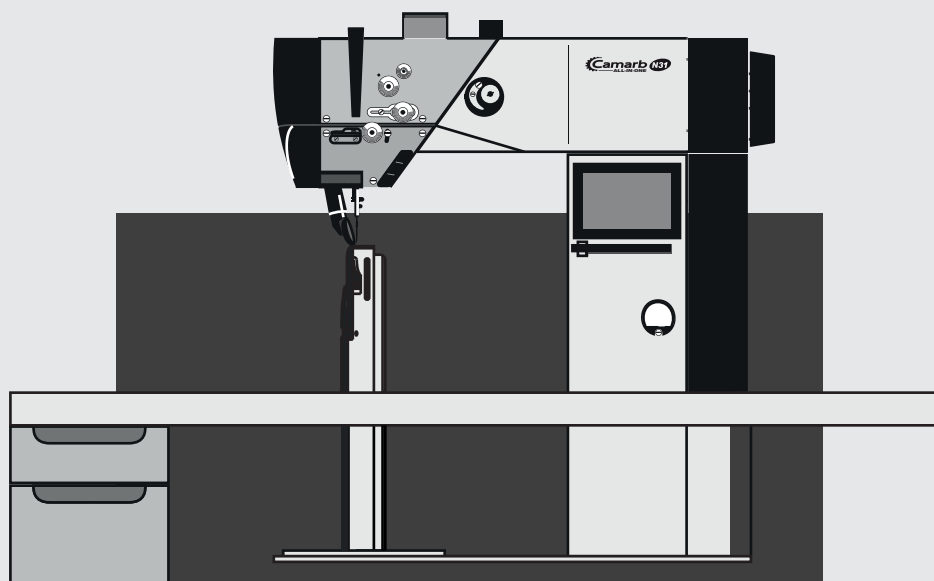
# CATALOGO RICAMBI

SPARE PARTS LIST

LISTE DES PIE'CES

CATALOG PIESE DE SCHIMB

N31E-C997-CAS-RC-V2



Vers.12-2022

 **BRAMAC**<sup>®</sup> S.r.l.  
MACCHINE PER L'INDUSTRIA DELLA CALZATURA

Via Alpi, 149-151-153  
Zona Ind. Villa Luciani  
63812 Montegranaro (FM) Italy  
Phone: +39.0734.890103 - 890912

[www.bramac.it](http://www.bramac.it)  
[bramac@bramac.it](mailto:bramac@bramac.it)