



CATALOGO RICAMBI
SPARE PARTS LIST

N300-200

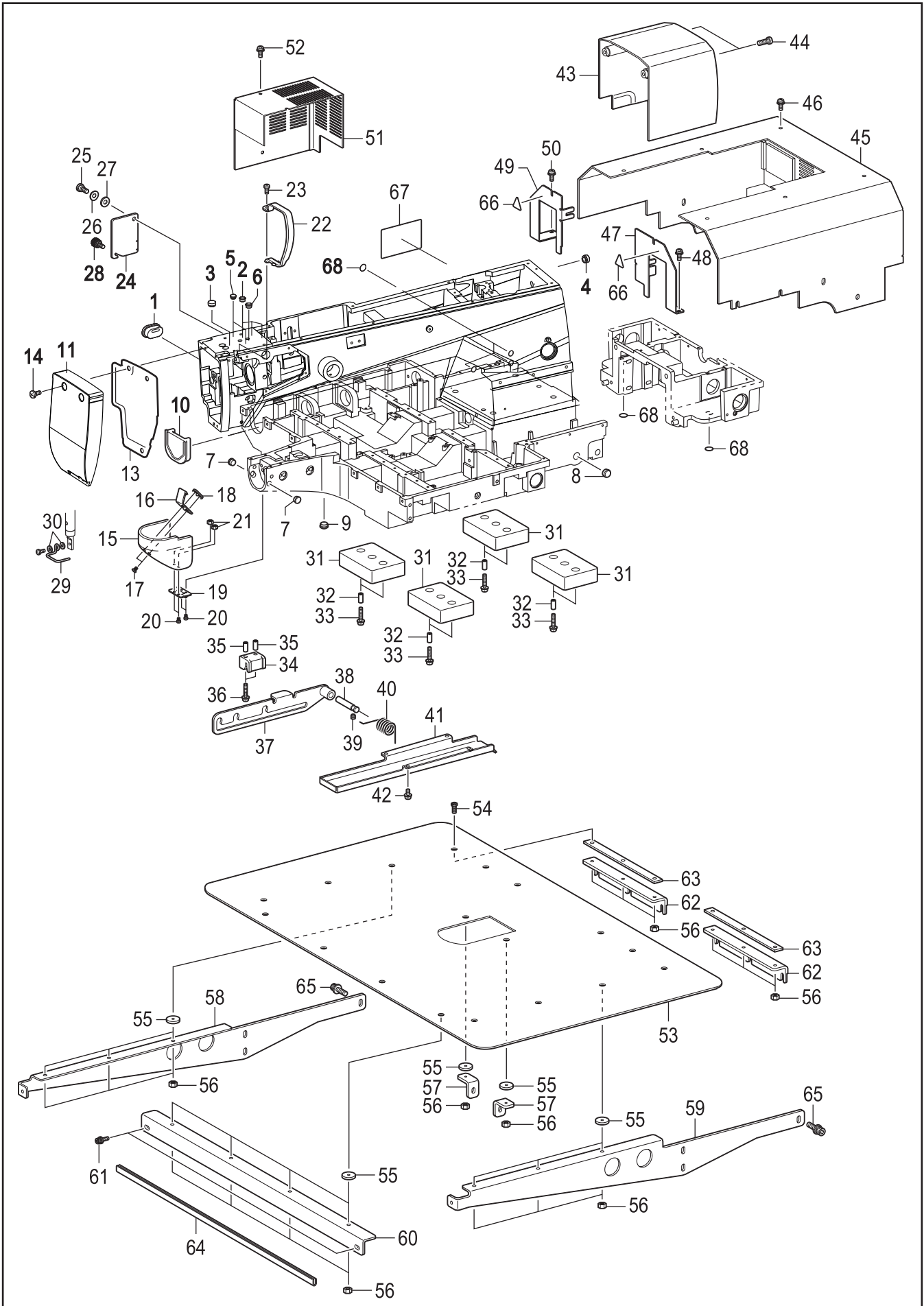


La ristampa, la riproduzione e la traduzione, anche di singoli passi, di manuali Camarb sono consentite solo attraverso nostra autorizzazione e con indicazione dell'origine.



Via Alpi, 149-151-153
Zona industriale Villa Luciani
63812 Montegranaro (FM) Italy
Phone: +39.0734.890103 - 890912
Fax: +39.890154
www.bramac.it
bramac@bramac.it

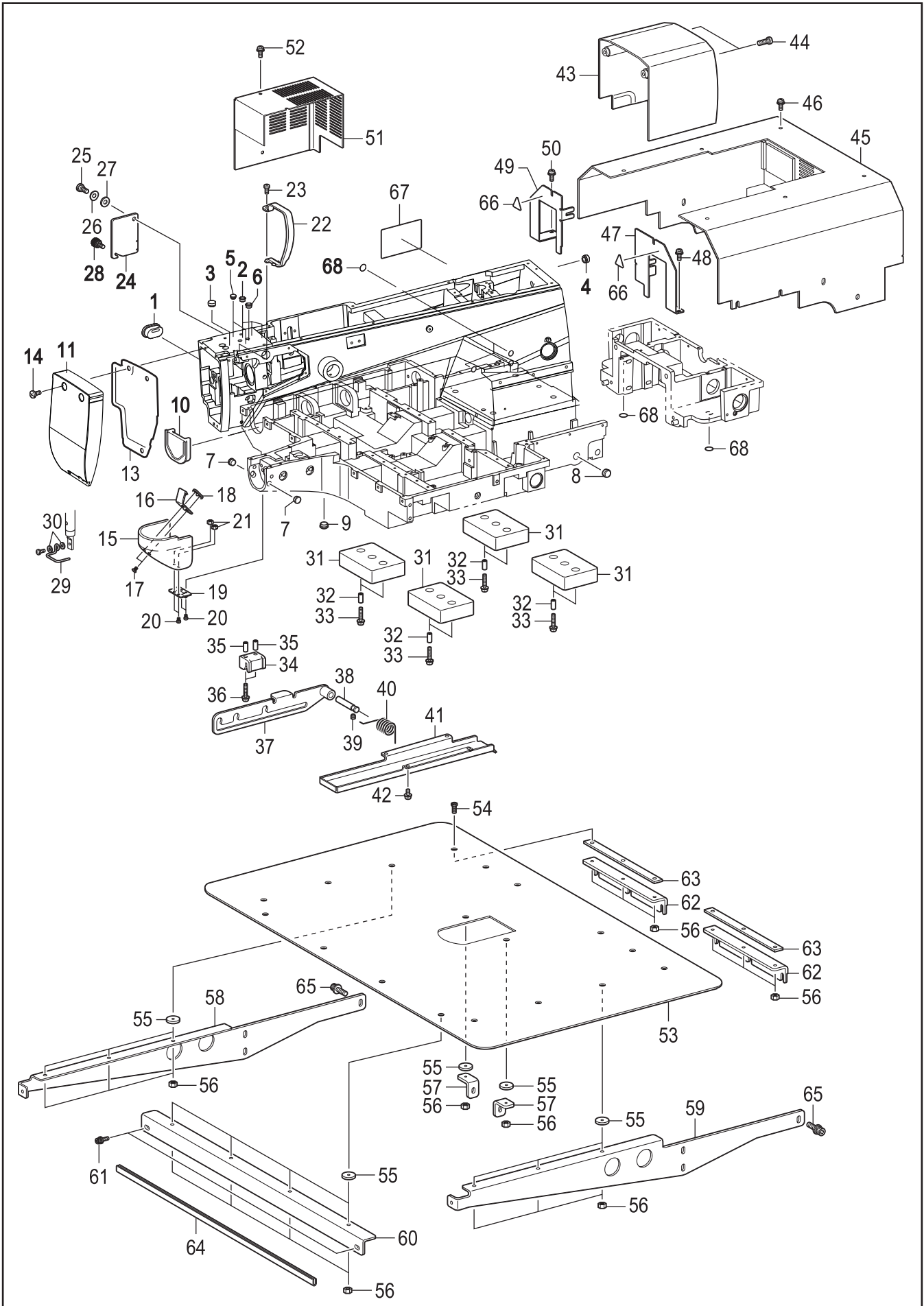
A1 . Machine body /Corpo della macchina



A1.Machine body /Corpo della macchina

			NAME OF PARTS	RM
1	SA4596001	1	RUBBER CAP 20-15	
2	104821001	3	RUBBER CAP, 10.5	
3	S20164001	1	RUBBER CAP, 13	
4	S20164001	1	RUBBER CAP, 13	
5	104450101	2	RUBBER CAP, 8	
6	117936001	1	RUBBER CAP, 9.4	
7	S44010001	2	RUBBER CAP, 11.5	
8	150592001	1	RUBBER CAP, 16	
9	104449001	1	RUBBER CAP, 15.5	
10	SA8548101	1	BED COVER	
11	SA4600001	1	FACE PLATE	
12	104449001	1	RUBBER CAP, 15.5	
13	SA4601001	1	F-PLATE PACKING	
14	062061016	3	SCREW PAN M6X10	
15	SA4603101	1	SHUTTLE RACE COVER	
16	SA6272001	1	SHUTTLE RACE COVER HOOK D	
17	004300513	2	SCREW, FLAT M3X5	
18	SA3264001	1	NUT PLATE	
19	SA6207001	1	HINGE	
20	062300506	4	SCREW PAN M3X5	
21	021300103	2	NUT, 1 M3	
22	SA3200101	1	THREAD TAKE-UP COVER	
23	062401006	1	SCREW PAN M4X10	
24	SA4604001	1	STEPPING COVER	
25	SA3306001	1	SHOULDER SCREW, 7-3	
26	120265002	1	SPRING WASHER	
27	S07350002	1	WASHER PLAIN	
28	S36475000	1	SCREW, M5	
29	SA8679001	1	FINGER GUARD	
30	025350332	2	WASHER PLAIN L 3.5	
31	SA8670001	4	CUSHION	
32	SA8680001	8	SPACER	
33	0A5402005	8	SCREW PAN (S/P WASHER) M4X20	
34	SA8880001	1	RUBBER CUSHION	
35	SA8680001	2	SPACER	
36	0A5402005	2	SCREW PAN (S/P WASHER) M4X20	
37	SA8549001	1	SUPPORT LEVER	
38	SA8550001	1	SUPPORT LEVER SHAFT	
39	012060636	1	SET SCREW SOCKET (FT) M6X6	
40	SA8551001	1	TOSHON SPRING	
41	SA8552001	1	OIL PAN	
42	0A5401006	4	SCREW PAN (S/P WASHER) M4X10	
43	SA8553001	1	MOTOR COVER	
44	062061616	2	SCREW PAN M6X16	
45	SA8816001	1	REAR COVER ASSY	
46	0A5401006	16	SCREW PAN (S/P WASHER) M4X10	
47	SA8555001	1	REAR COVER	
48	0A5401006	3	SCREW PAN (S/P WASHER) M4X10	
49	SA8556001	1	REAR COVER	
50	0A5401006	3	SCREW PAN (S/P WASHER) M4X10	
51	SA8557001	1	X MOTOR COVER	
52	0A5401006	4	SCREW PAN (S/P WASHER) M4X10	
53	SA8559001	1	AUXILIARY PLATE	
54	SA8560001	18	SCREW M4X12	
55	SA4677101	12	AUXILIARY PLATE CUSHION	
56	021400206	18	NUT 2 M4	
57	SA4676101	2	AUXILIARY PLATE BRACKET	
58	SA8561001	1	AUXILIARY PLATE BRACKET L	
59	SA8562001	1	AUXILIARY PLATE BRACKET R	
60	SA8563001	1	AUXILIARY PLATE BRACKET M	
61	S55481001	2	BOLT SOCKET (S/P WASHER) M4X12	
62	SA8564001	2	AUXILIARY PLATE BRACKET B	
63	SA8672001	2	AUXILIARY PLATE CUSHION B	

A1 . Machine body /Corpo della macchina



A1. Machine body/Corpo della macchina

				NAME OF PARTS	RM
64	SA8879001	1		TRIMS L540	
65	S42446001	14		BOLT SOCKET (S/P WASHER) M6X14	
66	S36924002	2		INJURY MARK	
67	SA0792001	1		<For Japan only> LABEL CAUTION JPN/ENG	
67	SA0793001	1		<Except for Japan> LABEL CAUTION CHN/ENG	
68	S37060001	3		<Except for Europe> LABEL, GROUNDING	
68	S37060001	5		<For Europe only> LABEL, GROUNDING	

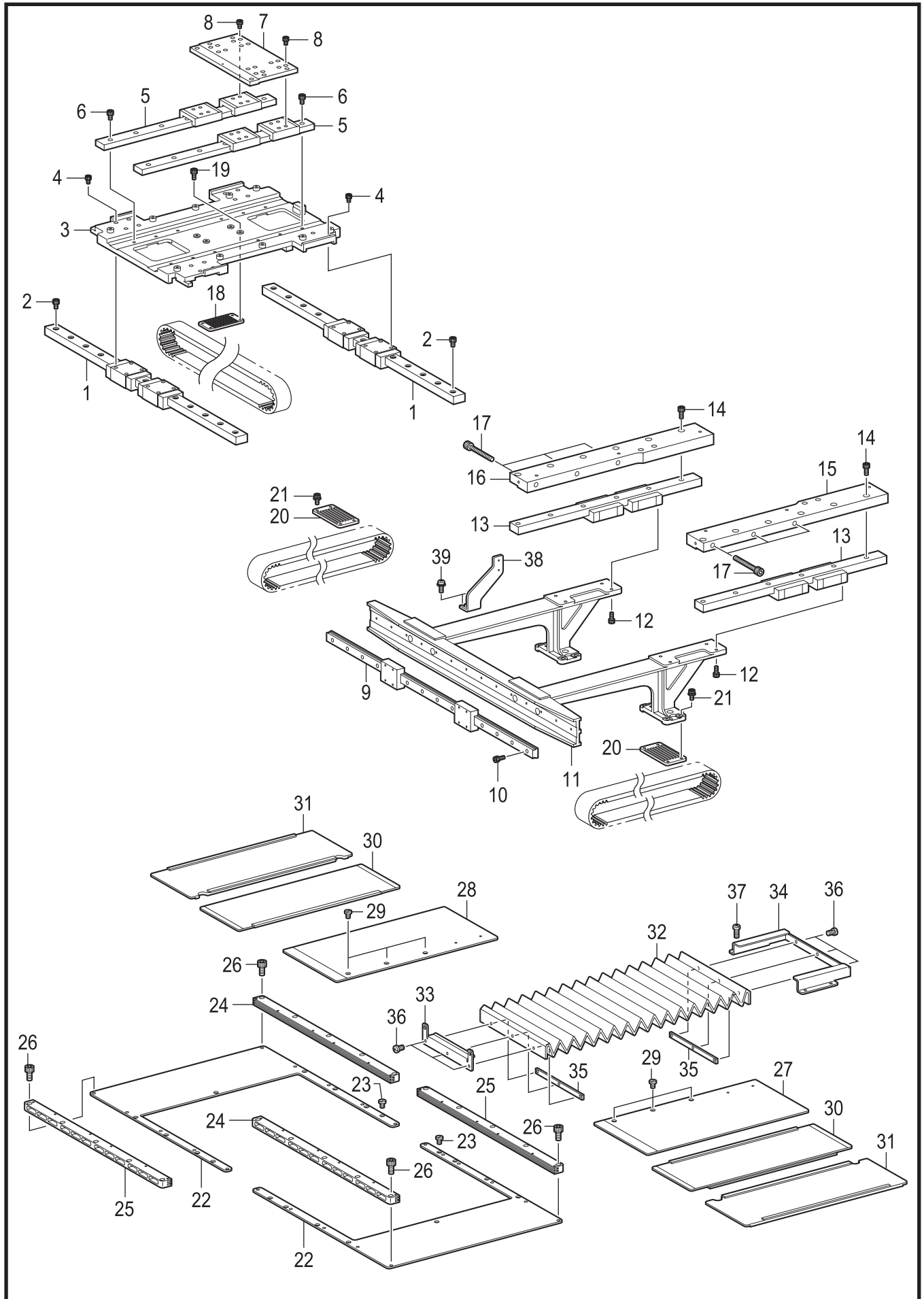
A2. Machine body/Corpo della macchina

			NAME OF PARTS	RM
1	SA8668001	2	HINGE SHAFT	
2	012060636	2	SET SCREW SOCKET (FT) M6X6	
3	SA8665001	1	OIL PAN ASSY	
4	032361306	4	WOOD SCREW ROUND 2 M3.5X13	
5	SA8667001	2	RUBBER BUSH	
6	SA8669001	2	HINGE HOLDER	
7	018087036	4	BOLT SOCKET M8X70	
8	028080246	4	WASHER SPRING 2-8	
9	213650001	4	WASHER 2.3X8.5X38ST	
10	SA8550001	1	SUPPORT LEVER SHAFT	
11	012060636	2	SET SCREW SOCKET (FT) M6X6	
12	SA8671001	1	SUPPORT LEVER BASE	
13	018087036	2	BOLT SOCKET M8X70	
14	028080246	2	WASHER SPRING 2-8	
15	213650001	2	WASHER 2.3X8.5X38ST	
16	SA8673001	1	HOLDER ABSORBER L	
17	SA8674001	1	HOLDER ABSORBER R	
18	SA3387001	4	BOLT, SOCKET M6X75	
19	213650001	4	WASHER 2.3X8.5X38ST	
20	028060246	4	WASHER SPRING 2-6	
21	021060106	4	NUT 1 M6	
22	SA5251001	1	SPACER	
23	018064031	1	BOLT SOCKET M6X40	
24	021060106	1	NUT 1 M6	
25	SA4847001	1	SHAFT U	
26	012060636	1	SET SCREW SOCKET (FT) M6X6	
27	S17974101	1	SHAFT D	
28	S17975100	2	SHAFT COLLAR, GAS	
29	025080132	2	WASHER PLAIN S 8	
30	048060342	2	RETAINING RING E6	
31	SA8675001	1	SHOCK ABSORBER GAS	
32	114486002	1	OILER	

B. Upper shaft and needle bar mechanism /Sistema della barra superiore e della barra ago

				NAME OF PARTS	RM
1	SA8565101	1		UPPER SHAFT	
2	SA3499001	1		CRANK ROD ASSY	
3	018501636	2		BOLT SOCKET M5X16	
4	SA4172001	1		NEEDLE BEARING: BLUE	
4	SA4173001	1		NEEDLE BEARING: BLACK	
4	SA4174001	1		NEEDLE BEARING: GRAY	
4	SA4175001	1		NEEDLE BEARING: YELLOW	
5	SA3206001	1		BALL BEARING BUSH	
6	SA4179001	1		BALL BEARING 6904DDUNR	
7	SA4180001	1		BALL BEARING 6904DDU	
8	S23651001	2		SET SCREW SOCKET (FT) M6X6	
9	SA3206001	1		BALL BEARING BUSH	
10	SA4177001	1		BALL BEARING 6004DDUNR	
11	S23651001	2		SET SCREW SOCKET (FT) M6X6	
12	SA4608101	1		JOINT G	
13	SA4178001	1		BALL BEARING 6204DDUNR	
14	S23651001	4		SET SCREW SOCKET (FT) M6X6	
15	S25235001	1		SCREW M8	
16	SA4609101	1		THREAD TAKE-UP CRANK G	
17	S23651001	4		SET SCREW SOCKET (FT) M6X6	
18	110367001	1		WASHER, PLAIN SPECIAL 8	
19	SA6182001	1		THREAD TAKE-UP LEVER FK SET	
20	SA2958001	1		SCREW FLAT M5X6	
21	012500536	1		SET SCREW SOCKET (FT) M5X5	
22	062400816	1		SCREW PAN M4X8	
23	145465001	1		SCREW, SM3.57-40X6 L	
24	012060636	2		SET SCREW SOCKET (FT) M6X6	
25	142211001	1		SLIDE BLOCK	
26	SA3528001	1		SLIDE BLOCK GUIDE	
27	018401636	2		BOLT SOCKET M4X16	
28	SA4622001	1		NEEDLE BAR	
29	144458001	1		SET SCREW, SM3.57-40X4.5	
30	SA4666001	1		NEEDLE BAR BUSH UK	
31	SA3224001	1		NEEDLE BAR BUSH D	
32	145646019	1		NEEDLE, DPX17	
33	012060536	1		SET SCREW, SOCKET (FT) M6X5	
34	S38713100	1		FAN	
35	062400816	3		SCREW PAN M4X8	
36	SA6108001	1		PULLEY GEAR R	
37	012500536	2		SET SCREW SOCKET (FT) M5X5	
38	SA4626101	1		PULLEY SHUFT	
39	SA4627001	1		PULLEY BUSH	
40	SA4628101	1		PULLEY SPRING	
41	SA4629001	1		PULLEY BASE	
42	047401242	1		PIN SPRING ROLL AW4	
43	SA4624001	1		PULLEY GEAR L	
44	012500536	2		SET SCREW SOCKET (FT) M5X5	
45	S23651001	2		SET SCREW SOCKET (FT) M6X6	
46	SA4630001	1		PULLEY	
47	062401006	3		SCREW PAN M4X10	
48	SA5158101	3		WASHER PLAIN L 4	
49	012060636	1		SET SCREW SOCKET (FT) M6X6	
50	018501636	4		BOLT SOCKET M5X16	
51	SA5230001	2		FRIES WHEEL 2	
52	062401016	3		SCREW PAN M4X10	

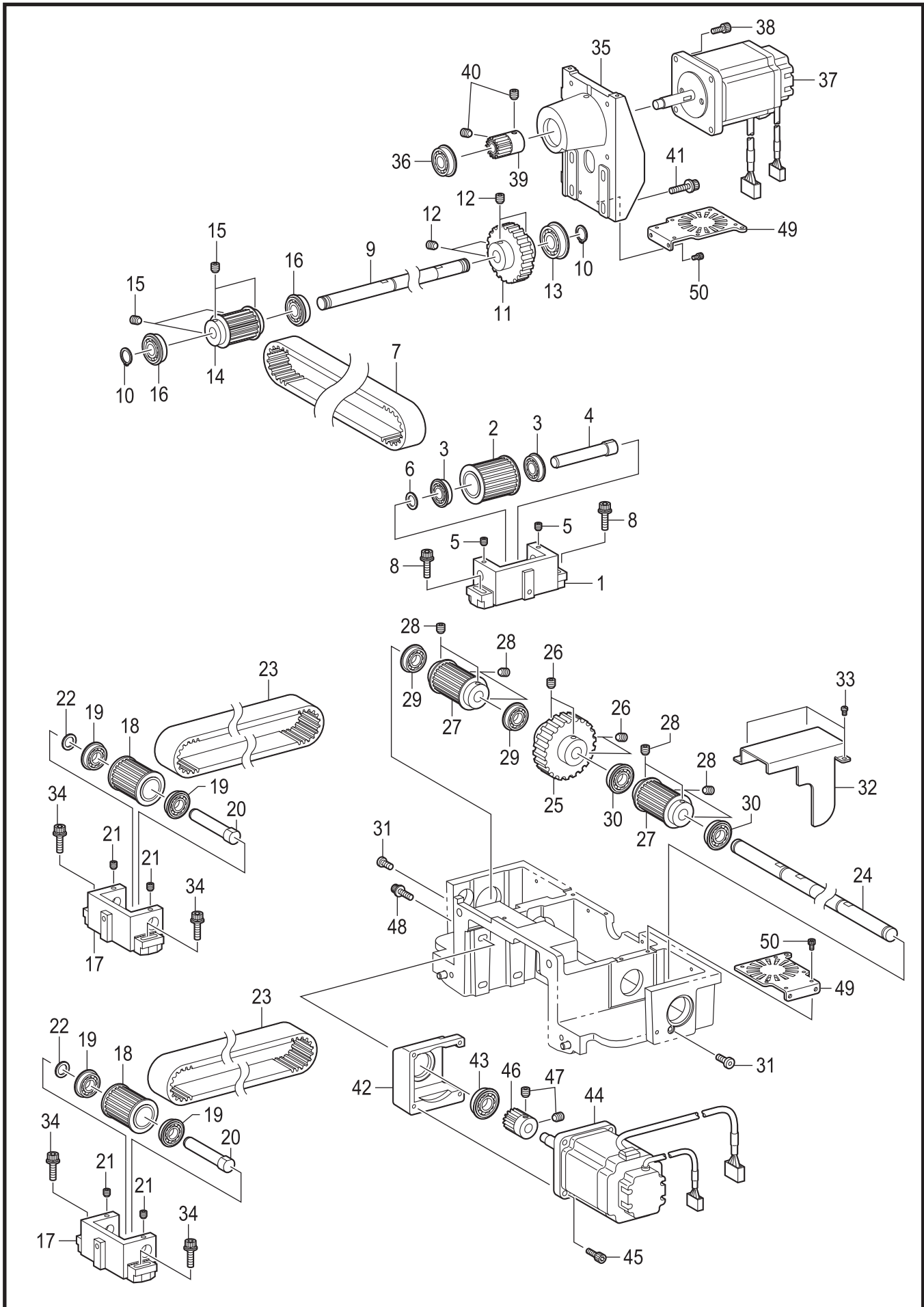
C1 . Feed mechanism/Meccanismo di trasporto



C1. Feed mechanism /Meccanismo di trasporto

			NAME OF PARTS	RM
1	SA8566001	2	X-LM GUIDE F	
2	018400836	22	BOLT SOCKET M4X8	
3	SA8567001	1	BASE PLATE X	
4	018300536	16	BOLT SOCKET M3X5	
5	SA8568001	2	Y-LM GUIDE F	
6	018400836	12	BOLT SOCKET M4X8	
7	SA8569101	1	BASE PLATE Y ASSY	
8	018300536	16	BOLT SOCKET M3X5	
9	SA8571001	1	X-LM GUIDE R	
10	018301036	14	BOLT SOCKET M3X10	
11	SA8819001	1	Y-ARM ASSY	
12	018401236	8	BOLT SOCKET M4X12	
13	SA8574001	2	Y-LM GUIDE R	
14	018501236	12	BOLT SOCKET M5X12	
15	SA8575001	1	Y-LM GUIDE BRACKET R	
16	SA8576001	1	Y-LM GUIDE BRACKET L	
17	018066036	6	BOLT SOCKET M6X60	
18	SA8590001	1	BELT HOLDER	
19	018401036	4	BOLT SOCKET M4X10	
20	SA8590001	2	BELT HOLDER	
21	S55481001	8	BOLT SOCKET (S/P WASHER) M4X12	
22	SA8608001	2	FIXATION	
23	SA3538001	14	SCREW, M4X8	
24	SA8609001	2	COVER RAIL FR ASSY	
25	SA8611001	2	COVER RAIL FL ASSY	
26	018401036	20	BOLT SOCKET M4X10	
27	SA8612001	1	INSIDE COVER R ASSY	
28	SA8615001	1	INSIDE COVER L ASSY	
29	SA3538001	6	SCREW, M4X8	
30	SA8617001	2	MIDDLE COVER ASSY	
31	SA8619001	2	OUTSIDE COVER ASSY	
32	SA8622001	1	BELLOW	
33	SA8623001	1	BELLOW PRESSER F	
34	SA8624001	1	BELLOW PRESSER R	
35	SA8625001	2	BELLOW NUT	
36	062300416	6	SCREW PAN M3X4	
37	062401016	4	SCREW PAN M4X10	
38	SA8626001	1	SENSOR PLATE Y	
39	0A5401006	2	SCREW PAN (S/P WASHER) M4X10	

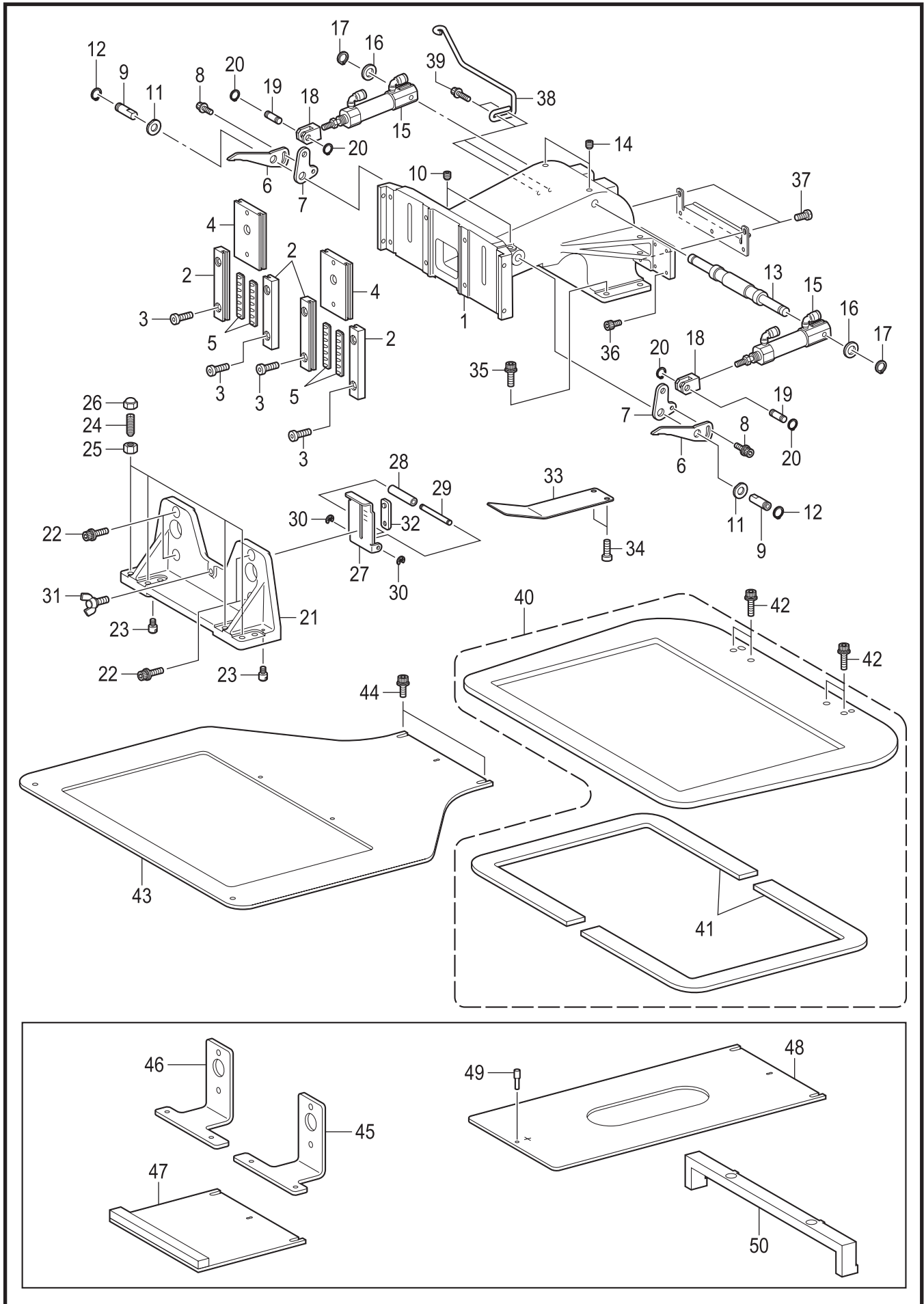
C2 .Feed mechanism /Meccanismo di trasporto



C2.Feed mechanism /Meccanismo di trasporto

				NAME OF PARTS	RM
1	SA8578001	1		X-PULLEY BRACKET	
2	SA8579001	1		PULLEY A ASSY	
3	SA1283001	2		BALL BEARING, 6901ZZNR	
4	SA8582001	1		PULLEY FULCRUM SHAFT	
5	012500536	2		SET SCREW SOCKET (FT) M5X5	
6	SA8583001	1		PULLEY FULCRUM SHAFT COLLAR	
7	SA8584001	1		X-GT BELT	
8	S47270001	2		BOLT SOCKET (S/P WASHER) M6X30	
9	SA8585001	1		DRIVE SHAFT X	
10	048150142	2		RETAINING RING EXTERNAL C15	
11	SA8586001	1		GEAR X	
12	012060636	4		SET SCREW SOCKET (FT) M6X6	
13	SA6674001	1		BALL BEARING 6002ZZNR	
14	SA8587001	1		PULLEY B ASSY	
15	012060636	4		SET SCREW SOCKET (FT) M6X6	
16	076202850	2		BALL BEARING RADIAL 6202ZZNR	
17	SA8592001	2		Y-PULLEY BRACKET	
18	SA8579001	2		PULLEY A ASSY	
19	SA1283001	4		BALL BEARING, 6901ZZNR	
20	SA8582001	2		PULLEY FULCRUM SHAFT	
21	012500536	4		SET SCREW SOCKET (FT) M5X5	
22	SA8583001	2		PULLEY FULCRUM SHAFT COLLAR	
23	SA8593001	2		Y-GT BELT	
24	SA8595001	1		DRIVE SHAFT Y	
25	SA8596001	1		GEAR Y	
26	012060636	4		SET SCREW SOCKET (FT) M6X6	
27	SA8587001	2		PULLEY B ASSY	
28	012060636	8		SET SCREW SOCKET (FT) M6X6	
29	SA6674001	2		BALL BEARING 6002ZZNR	
30	076202850	2		BALL BEARING RADIAL 6202ZZNR	
31	SA8597001	2		BOLT SOCKET M5X12	
32	SA8602001	1		COVER GEAR Y	
33	062400816	3		SCREW PAN M4X8	
34	S47270001	4		BOLT SOCKET (S/P WASHER) M6X30	
35	SA8604001	1		MOTOR BRACKET X	
36	SA8599001	1		BALL BEARING 6201ZZNR	
37	SA8538001	1		PULSE MOTOR ASSY X	
38	018501636	4		BOLT SOCKET M5X16	
39	SA8607001	1		MOTOR GEAR X	
40	012060636	2		SET SCREW SOCKET (FT) M6X6	
41	S47270001	4		BOLT SOCKET (S/P WASHER) M6X30	
42	SA8598001	1		MOTOR BRACKET Y	
43	SA8599001	1		BALL BEARING 6201ZZNR	
44	SA8542001	1		PULSE MOTOR ASSY Y	
45	018501636	4		BOLT SOCKET M5X16	
46	SA8601001	1		MOTOR GEAR Y	
47	012060636	2		SET SCREW SOCKET (FT) M6X6	
48	S47269001	4		BOLT SOCKET (S/P WASHER) M6X20	
49	SA8694001	2		FAN BRACKET	
50	018400836	4		BOLT SOCKET M4X8	

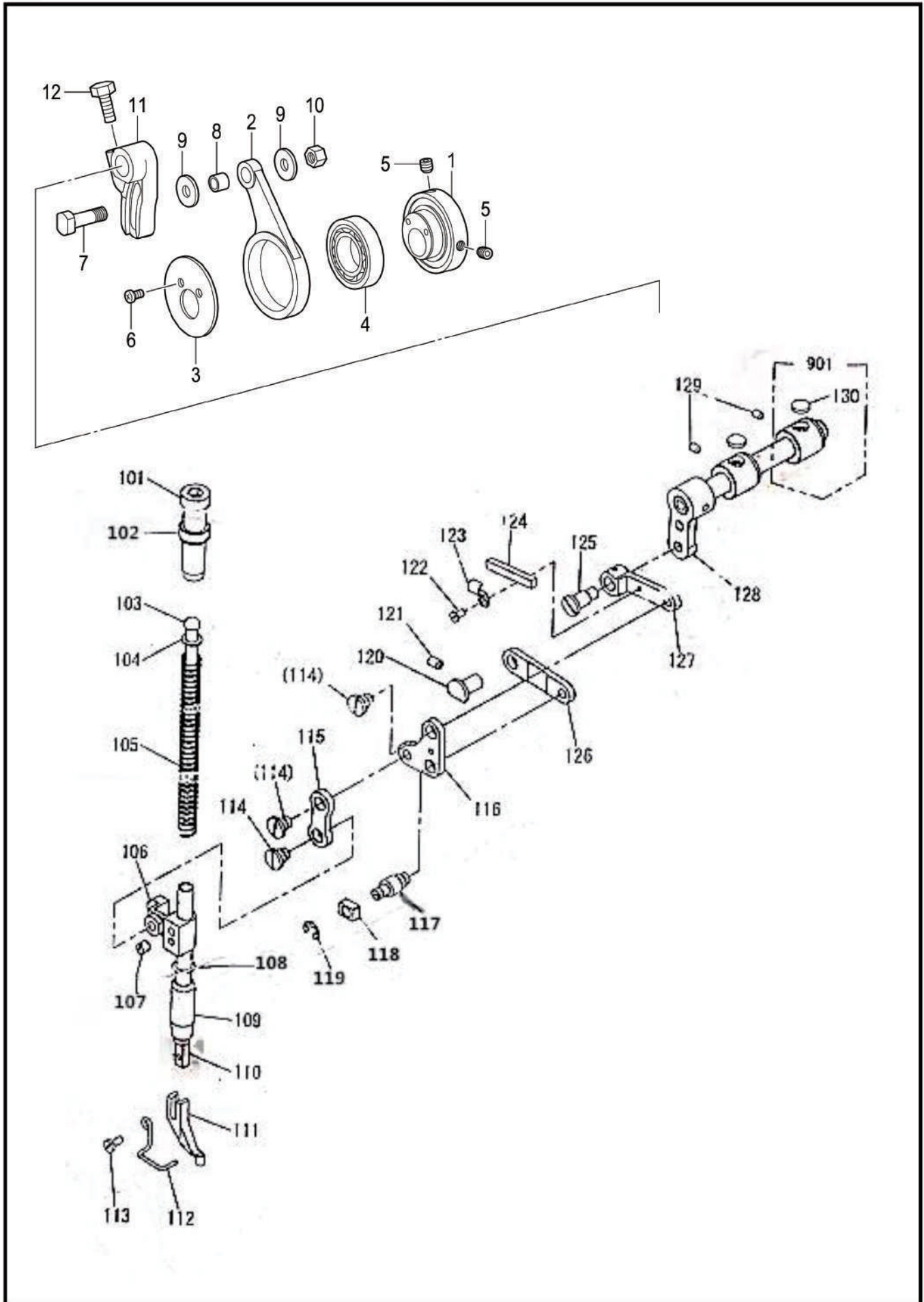
C3 . Feed mechanism /Meccanismo di trasporto



C3.Feed mechanism /Meccanismo di trasporto

				NAME OF PARTS	RM
1	SA8628001	1		WORK CLAMP ARM	
2	SA8629001	4		WORK CLAMP GUIDE ASSY	
3	SA8597001	8		BOLT SOCKET M5X12	
4	SA8631001	2		WORK CLAMP SLIDER	
5	SA8632001	4		CROSS ROLLER	
6	SA8633001	2		WORK CLAMP LIFTER LEVER U	
7	SA8634001	2		WORK CLAMP ARM LEVER	
8	S55479001	2		BOLT SOCKET (S/P WASHER) M4X8	
9	SA4771001	2		SHAFT STEPPING CLAMP LIFT LINK	
10	012060636	2		SET SCREW SOCKET (FT) M6X6	
11	110367001	2		WASHER, PLAIN SPECIAL 8	
12	048080142	2		RETAINING RING EXTERNAL C8	
13	SA8635001	1		CYLINDER SHAFT	
14	012060636	2		SET SCREW SOCKET (FT) M6X6	
15	SA8636001	2		AIR CYLINDER ASSY	
16	146354002	2		WASHER, PLAIN 5	
17	048040342	2		RETAINING RING E4	
18	SA4720001	2		CYLINDER JOINT	
19	SA4721001	2		CYLINDER JOINT SHAFT	
20	048060142	4		RETAINING RING EXTERNAL C6	
21	SA8638001	1		WORK CLAMP	
22	S55485001	4		BOLT SOCKET (S/P WASHER) M5X12	
23	SA4709001	2		SHOULDER SCREW	
24	S25475101	4		SET SCREW, M6X19	
25	021060206	4		NUT 2 M6	
26	SA8909001	4		NUT, CAP M6	
27	SA8640001	1		WORK CLAMP STOPPER	
28	SA8641001	1		WORK CLAMP STOPPER RUBBER	
29	SA8820001	1		ROLLER SHAFT	
30	048030342	2		RETAINING RING E3	
31	SA8642001	1		WING SCREW	
32	SA8643001	1		WORK CLAMP PLATE NUT	
33	SA8644001	1		WORK CLAMP SPRING	
34	SA8597001	2		BOLT SOCKET M5X12	
35	S55485001	4		BOLT SOCKET (S/P WASHER) M5X12	
36	018300836	8		BOLT SOCKET M3X8	
37	062500816	2		SCREW PAN M5X8	
38	SA8645001	1		HOSE SUPPORT	
39	S55481001	2		BOLT SOCKET (S/P WASHER) M4X12	
40	SA8646001	1		WORK CLAMP ASSY	
41	SA8818001	2		WORK CLAMP CUSHION	
42	S55487001	4		BOLT SOCKET (S/P WASHER) M5X16	
43	SA8648001	1		FEED PLATE	
44	SA8904001	2		BOLT SOCKET (S/P WASHER) M5X10L	
				<Option parts>	
45	SA8859001	1		WORK CLAMP CONVERSION R	
46	SA8860001	1		WORK CLAMP CONVERSION L	
47	SA8871001	1		FEED PLATE CONVERSION ASSY	
48	SA8869001	1		ORIGIN STANDARD PLATE	
49	SA5415001	1		ORIGIN STANDARD PIN	
50	SA8870001	1		BASE PLATE Y POSITION BLOCK	

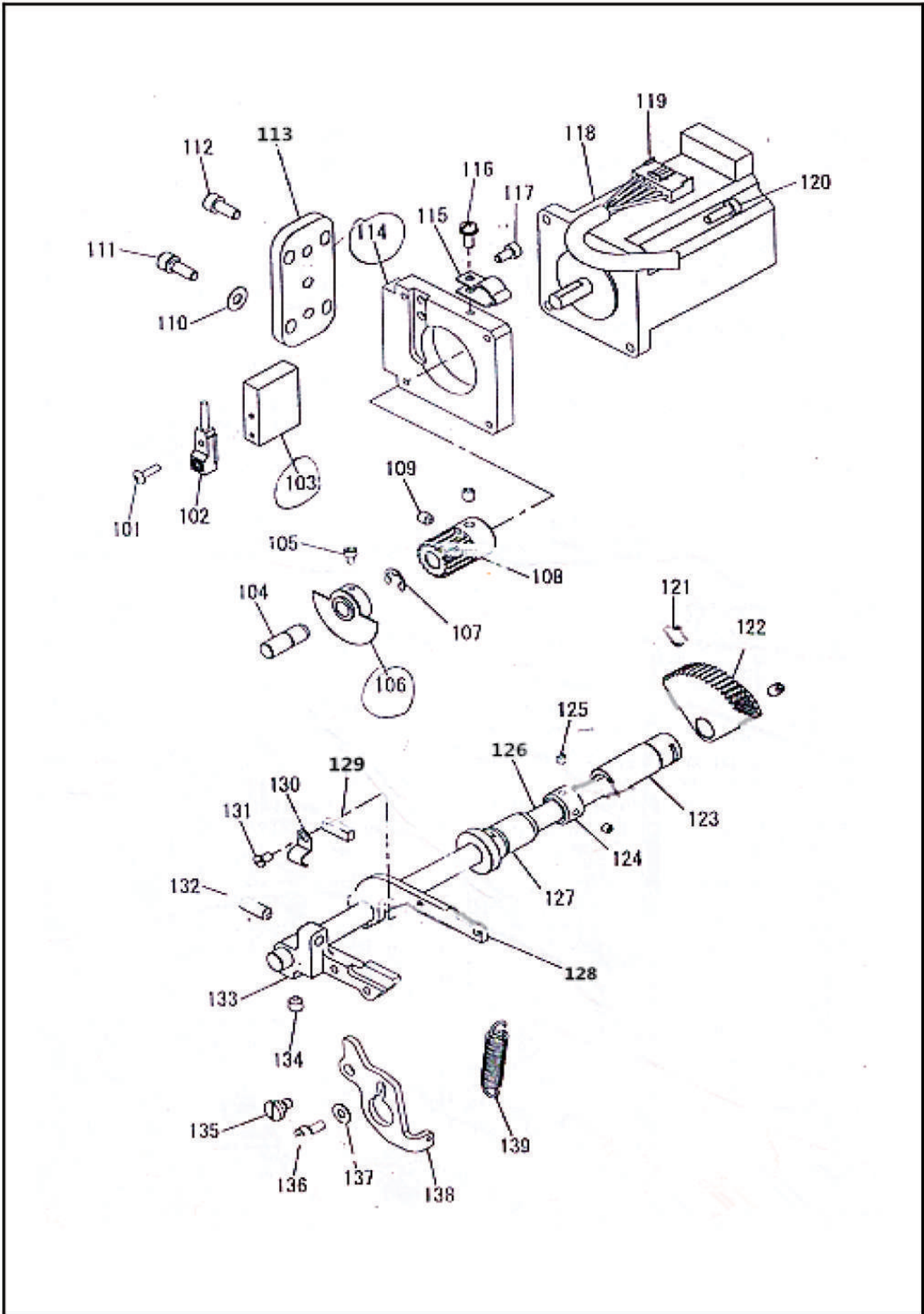
D1 . Work clamp lifter mechanism / Meccanismo di sollevamento del morsetto di lavoro



Work clamp lifter mechanism / Meccanismo di sollevamento del morsetto di lavoro

			NAME OF PARTS	RM
1	SA4759001	1	STEPPING CLAMP CAM	
2	SA4760001	1	STEPPING CLAMP CON.ROD	
3	SA4763001	1	WASHER STEPPING CLAMP CAM	
4	623033000	1	BALL BEARING, 6805VV	
5	S23651001	2	SET SCREW SOCKET (FT) M6X6	
6	062400616	2	SCREW PAN M4X6	
7	SA4761001	1	ROLLER SHAFT STEPPING CLAMP	
8	SA4762001	1	ROLLER STEPING CLAMP	
9	SA4302001	2	WASHER	
10	021060106	1	NUT 1 M6	
11	SA4764001	1	STEPPING CLAMP ARM R	
12	017061213	1	BOLT M6X12	
H 101.....			Thumb screw 1/2(28) × 43.....	1
H 102.....			Nut 1/2(28).....	1
H 103.....			Presser bar guide.....	1
H 104.....			Washer 6.....	1
H 105.....			Spring.....	1
H 106.....			Presser bar holder.....	1
H 107.....			Screw 15/64(28) × 7.....	1
H 108.....			O-ring.....	1
H 109.....			Presser bar bushing.....	1
H 110.....			Presser bar.....	1
H 111.....			Presser foot ø3.....	1
H 112.....			Needle guard.....	1
H 113.....			Screw 9/64(40) × 8.....	1
H 114.....			Screw 1/4(40) × 4.....	3
H 115.....			Link.....	1
H 116.....			Bell crank.....	1
H 117.....			Screw 1/4(40) × 4.....	1
H 118.....			Square block.....	1
H 119.....			E-type retaining ring 5.....	1
H 120.....			Stepped pin.....	1
H 121.....			Screw M5 × 8.....	1
H 122.....			Screw 9/64(40) × 16.....	1
H 123.....			Holder.....	1
H 124.....			Felt.....	1
H 125.....			Screw 1/4(40) × 7.....	1
H 126.....			Link.....	1
H 127.....			Link.....	1
H 128.....			Arm shaft assy.....	1
H 129.....			Screw M4 × 6.....	2
H 130.....			Felt.....	2

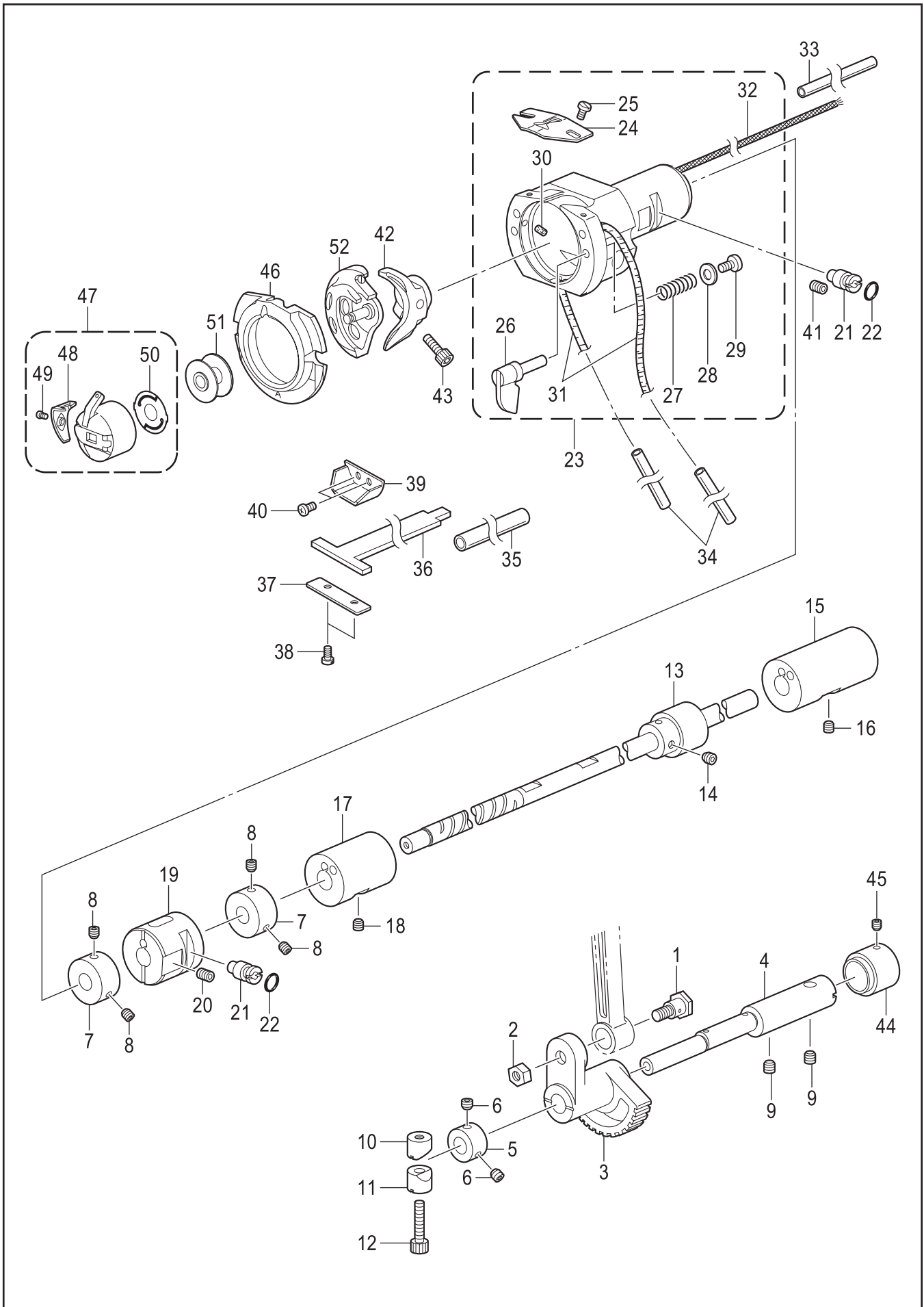
G. Presser bar lifting mechanism/Meccanismo di sollevamento della barra pressore



G. Presser bar lifting mechanism/Meccanismo di sollevamento della barra pressore

G 101.....	Screw M3×12.....	1
G 102.....	Detector.....	1
G 103.....	Detector bracket.....	1
G 104.....	Shaft.....	1
G 105.....	Screw M3×6.....	1
G 106.....	Detector plate.....	1
G 107.....	E-type retaining ring 6.....	1
G 108.....	Gear.....	1
G 109.....	Screw M5×6.....	2
G 110.....	Washer 5.....	4
G 111.....	Safety socket bolt M5×14	4
G 112.....	Socket bolt M5×12.....	3
G 113.....	Presser foot motor adapter.....	1
G 114.....	Presser foot motor bracket.....	1
G 115.....	Nylon clip FGC-8.....	1
G 116.....	Screw M4×10.....	1
G 117.....	Socket bolt M4×8.....	2
G 118.....	Stepping motor.....	1
G 119.....	Cable (PF motor).....	1
G 120.....	Socket bolt M4×14.....	4
G 121.....	Screw 5×8.....	2
G 122.....	Sector gear.....	1
G 123.....	Presser foot bushing(rear).....	1
G 124.....	Set collar.....	1
G 125.....	Screw M4×4.....	2
G 126.....	Presser foot driving shaft.....	1
G 127.....	Presser foot bushing (front)assy.....	1
G 128.....	Presser foot bushing lever B.....	1
G 129.....	Felt.....	1
G 130.....	Holder.....	1
G 131.....	Screw 9/64(40)×6.....	1
G 132.....	Screw M6×16.....	1
G 133.....	Presser foot lifting lever A.....	1
G 134.....	Screw M6×6.....	1
G 135.....	Screw 11/64(40)×5.....	1
G 136.....	Safety socket bolt M4×10.....	1
G 137.....	Washer 4.....	2
G 138.....	Hook plate.....	1
G 139.....	Spring.....	1

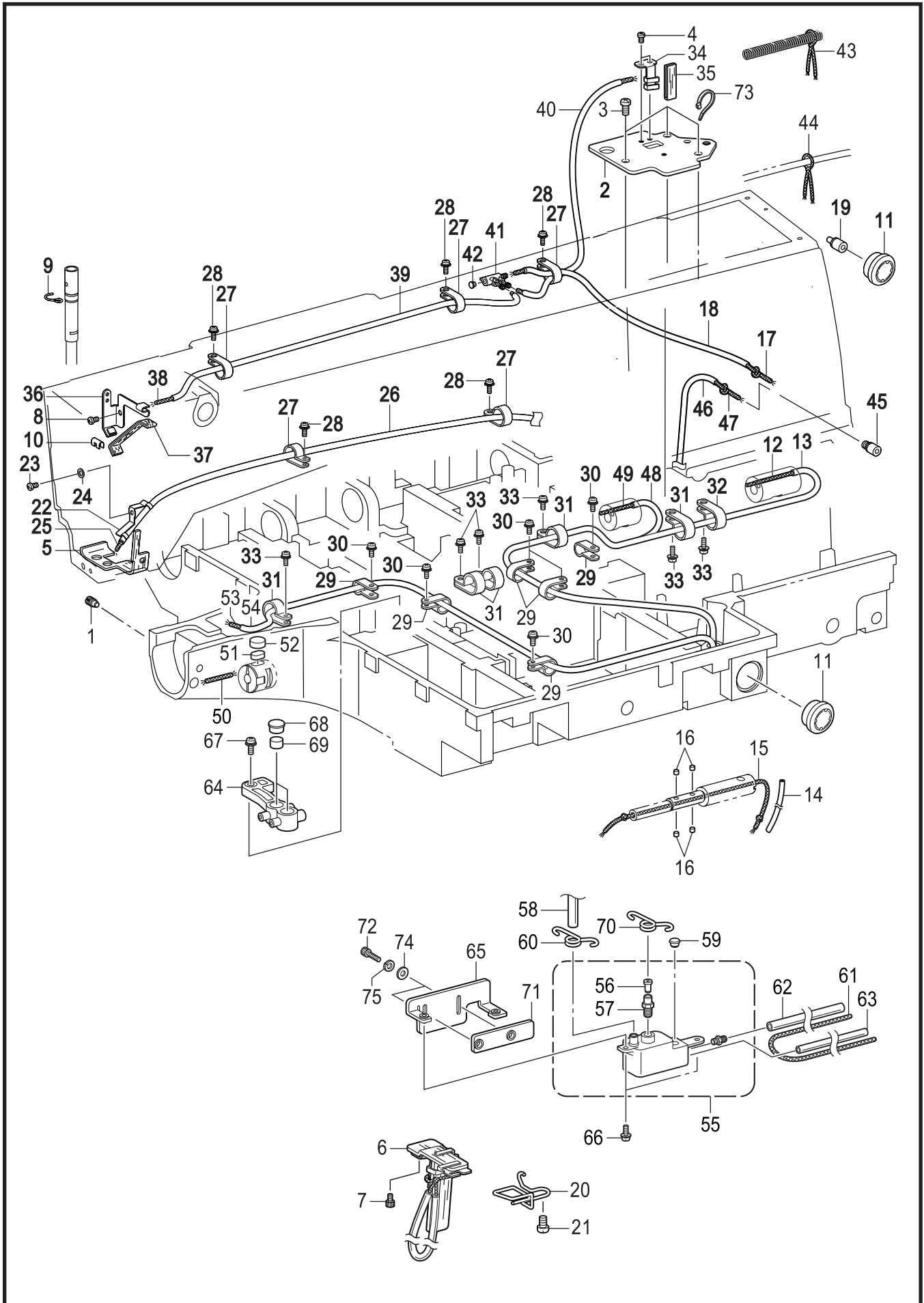
E . Lower shaft mechanism /Meccanismo dell'albero inferiore



E. Lower shaft mechanism /Meccanismo dell'albero inferiore

				NAME OF PARTS	RM
1	SA3226001	1		SHOULDER SCREW	
2	SA3227001	1		NUT(FT), M6	
3	SA3228101	1		ROCK GEAR	
4	SA4782001	1		ROCK GEAR SHAFT	
5	SA3231001	1		SET SCREW COLLAR, B	
6	012060536	2		SET SCREW, SOCKET (FT) M6X5	
7	SA8695001	2		SET SCREW COLLAR	
8	S23651001	4		SET SCREW SOCKET (FT) M6X6	
9	012060636	2		SET SCREW SOCKET (FT) M6X6	
10	SA8696001	1		PINCH SLEEVE A	
11	SA8697001	1		PINCH SLEEVE B	
12	018402036	1		BOLT SOCKET M4X20	
13	SA8698001	1		LOWER SHAFT ASSY	
14	012500536	1		SET SCREW SOCKET (FT) M5X5	
15	SA8701001	1		LOWER SHAFT BUSH	
16	012060636	1		SET SCREW SOCKET (FT) M6X6	
17	SA8702001	1		LOWER SHAFT M BUSH	
18	012060636	1		SET SCREW SOCKET (FT) M6X6	
19	SA8703001	1		LOWER SHAFT A-BUSH	
20	012061036	1		SET SCREW SOCKET (FT) M6X10	
21	SA3238101	2		ADJUSTING STUD	
22	081003670	2		O RING PW3	
23	SA8705001	1		SHUTTLE RACE BASE ASSY	
24	S02429201	1		SHUTTLE RACE THREAD GUIDE	
25	SA4199001	2		SCREW M3X4	
26	SA3241001	2		S-RACE BASE SETTING CLAW	
27	152684101	2		COMPRESSION SPRING	
28	026030136	2		WASHER PLAIN S 3	
29	062300616	2		SCREW PAN M3X6	
30	153050000	2		S-RACE BASE FELT	
31	SA8707001	2		FELT	
32	SA9004001	1		WICK 6X6	
33	SA8709001	1		OIL TUBE	
34	SA8710001	2		OIL TUBE	
35	SA8711001	1		OIL TUBE	
36	SA8712101	1		FELT	
37	SA8713001	1		FELT HOLDER	
38	S44924001	2		SCREW M3X5,5	
39	SA3274101	1		FELT HOLDER	
40	S47307001	2		SCREW, M3X4	
41	012061036	1		SET SCREW SOCKET (FT) M6X10	
42	SA3284101	1		DRIVER D	
43	018501236	1		BOLT SOCKET M5X12	
44	SA3283101	1		SET SCREW COLLAR, R	
45	012500536	1		SET SCREW SOCKET (FT) M5X5	
46	152686201	1		SHUTTLE RACE BASE B	
47	S59221201	1		BOBBIN CASE ASSY LC	
48	S48664001	1		TENSION SPRING, AN	
49	S16492101	1		BOBBIN CASE SPRING SCREW	
50	S15667001	1		ANTI-SPIN SPRING	
51	S44633001	1		BOBBIN LAN	
52	SA8197101	1		SHUTTLE HOOK ASSY W/BOXSA8196	

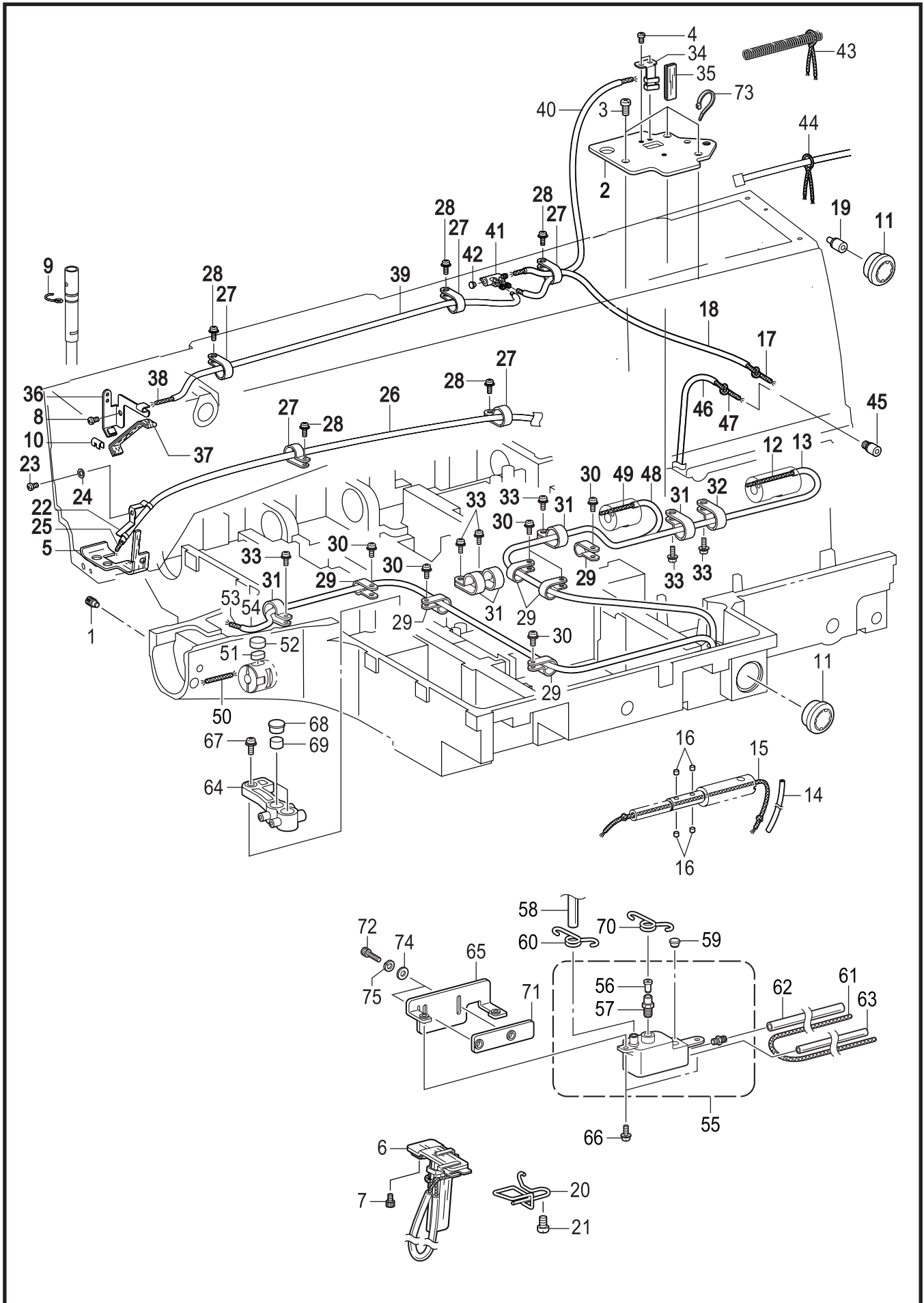
F . Lubrication /Lubrificazione



F. Lubrication /Lubrificazione

			NAME OF PARTS	RM
1	SA3244001	1	SET SCREW	
2	SA4785101	1	CRANK COVER	
3	062061016	3	SCREW PAN M6X10	
4	062400616	2	SCREW PAN M4X6	
5	SA4786101	1	FELT	
6	SA8714001	1	GEAR FELT ASSY	
7	018400636	2	BOLT SOCKET M4X6	
8	062400616	1	SCREW PAN M4X6	
9	SA6087001	1	WICK SUPPORT	
10	104567101	1	WICK SUPPORT	
11	152948001	2	OIL GAUGE WINDOW	
12	SA8783001	1	WICK 6X6	
13	SA8784001	1	OIL TUBE	
14	SA5072001	1	OIL TUBE L=120	
15	SA6578001	1	WICK 6X6 L=300	
16	S09043000	4	FELT	
17	S49982000	1	WICK, 4X4 L=400	
18	S48189000	1	OIL TUBE, L=280	
19	SA5339101	1	OIL FEEDING PIPE	
20	SA4789101	1	LOWER SHAFT WICK SUPPORT B	
21	062060816	1	SCREW PAN M6X8	
22	145547001	1	TUBE HOLDER	
23	062400616	1	SCREW PAN M4X6	
24	026040136	1	WASHER PLAIN S 4	
25	SA8717001	1	WICK 4X4	
26	SA8718001	1	OIL TUBE	
27	525567000	5	CORD HOLDER #8	
28	0A5401006	5	SCREW PAN (S/P WASHER) M4X10	
29	525567000	6	CORD HOLDER #8	
30	0A5401006	6	SCREW PAN (S/P WASHER) M4X10	
31	552907000	5	CORD HOLDER #10	
32	554482000	1	CORD HOLDER #12	
33	0A5401006	6	SCREW PAN (S/P WASHER) M4X10	
34	SA4787001	1	CRANK WICK PLATE	
35	SA5294001	1	FLAT WICK L=90	
36	SA4788001	1	WICK SUPPORT	
37	SA6593001	1	FLAT WICK L=180	
38	SA8720001	1	WICK 3X3	
39	SA8721001	1	OIL TUBE	
40	SA6576001	1	OIL TUBE L=210	
41	S38265000	1	TERMINAL, L	
42	142274101	1	RUBBER CAP, 4.2	
43	SA6572001	1	WICK L=140	
44	SA6572001	1	WICK L=140	
45	SA8722001	1	OIL FEEDING PIPE	
46	SA8723001	1	OIL TUBE	
47	SA8724001	1	WICK 6X6	
48	SA8725001	1	OIL TUBE	
49	SA8726001	1	WICK 6X6	
50	SA8727001	1	WICK 6X6	
51	SA8728001	1	FELT	
52	SA8729001	1	FELT	
53	SA8708001	1	WICK 6X6	
54	SA8785001	1	OIL TUBE	
55	SA8732001	1	SUB-TANK ASSY	
56	SA3060001	1	VALVE PACKING	
57	SA3040001	1	OIL FEEDING PIPE	
58	SA8733001	1	OIL TUBE	
59	104450101	1	RUBBER CAP, 8	
60	SA3055101	1	TUBE CLIP	
61	SA8734001	1	FELT	
62	SA8735001	1	OIL TUBE	
63	SA8786001	1	OIL TUBE	

F . Lubrication /Lubrificazione



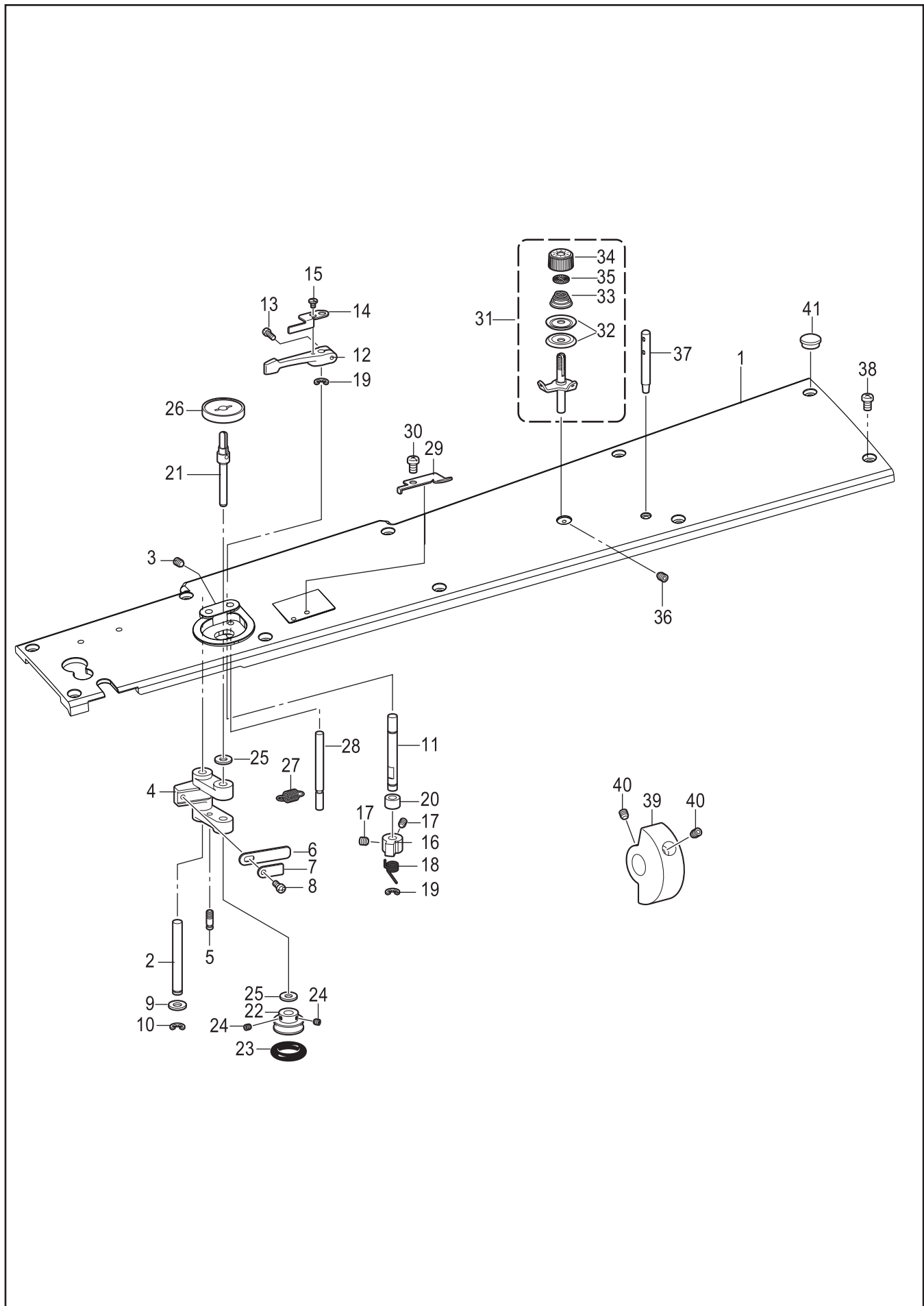
F. Lubrication/Lubrificazione

				NAME OF PARTS	RM
64	SA3946001	1		OIL TERMINAL	
65	SA8736001	1		OIL PLATE	
66	0A5401006	2		SCREW PAN (S/P WASHER) M4X10	
67	0A5401006	1		SCREW PAN (S/P WASHER) M4X10	
68	SA2929001	2		RUBBER CAP, 12.5	
69	S38266000	2		ROTARY HOOK SHAFT FELT	
70	SA3055101	1		TUBE CLIP	
71	SA4650001	1		Y-SENSOR PLATE	
72	018402036	2		BOLT SOCKET M4X20	
73	S04159000	1		BAND 1M	
74	025040236	2		WASHER PLAIN M 4	
75	028040246	2		WASHER SPRING 2-4	

G. Threading mechanism / Meccanismo del filo

			NAME OF PARTS	RM
1	SA3250001	1	ARM THREAD GUIDE, A	
2	062500616	1	SCREW PAN M5X6	
3	SA4333001	1	ARM THREAD GUIDE, B	
4	062500616	1	SCREW PAN M5X6	
5	SA6391001	1	ARM THREAD GUIDE C	
6	062500616	1	SCREW PAN M5X6	
7	153049001	2	UPPER THREAD GUIDE STUD	
8	144588301	1	THREAD TAKE-UP SPRING B	
9	SA3255001	1	TENSION STUD	
10	S31032001	1	TENSION NUT	
11	S12441001	1	WASHER	
12	107606001	1	TENSION SPRING H	
13	159805001	1	TENSION DISC PRESSER	
14	145446001	2	DISC, TENSION	
15	SA3254001	1	TENSION BRACKET	
16	100402004	1	SET SCREW, SM3.57	
17	SA4143001	1	SET SCREW, (FT) M6X6	
18	S12699000	1	TENSION RELEASE PIN	
19	SA3256001	1	TENSION STUD, A	
20	100136001	1	TENSION NUT	
21	SA4146101	1	SUB TENSION SPRING	
22	145446001	2	DISC, TENSION	
23	SA8691001	1	THREAD GUIDE ARM	
24	021400306	1	NUT 3 M4	
25	SA3257101	1	NEEDLE BAR THREAD GUIDE, A	
26	SA3258001	1	N-BAR BUSH THREAD GUIDE, D	
27	152881001	1	NEEDLE COOLER ASSY	
28	012060636	1	SET SCREW SOCKET (FT) M6X6	
29	152883000	1	FELT, 8X15.5	
30	152884001	1	NEEDLE COOLER THREAD GUIDE	
31	062670412	1	SCREW PAN SM3.57-40X4	

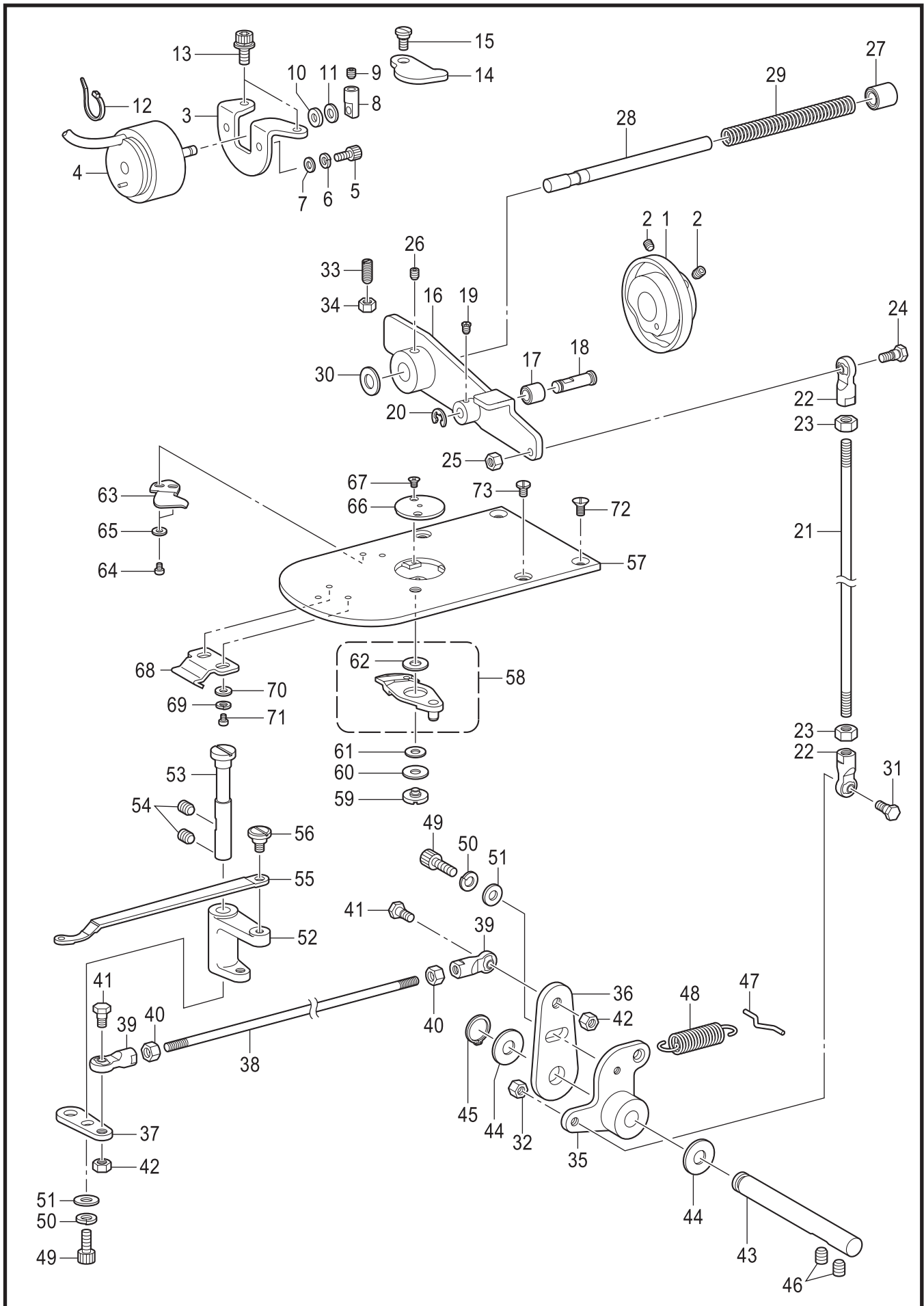
H . Bobbin winder mechanism /Meccanismo di avvolgimento della bobina



H. Bobbin winder mechanism / Meccanismo di avvolgimento della bobina

			NAME OF PARTS	RM
1	SA8650001	1	TOP COVER	
2	SA3290001	1	SHAFT, BW-LEVER	
3	012500536	1	SET SCREW SOCKET (FT) M5X5	
4	SA3291001	1	BOBBIN WINDER LEVER	
5	SA4171001	1	SPRING HOOK	
6	152936001	1	PLATE SPRING	
7	152937001	1	WASHER	
8	062350616	1	SCREW PAN M3.5X6	
9	159486001	1	WASHER	
10	048050342	1	RETAINING RING E5	
11	SA3293001	1	STUD B-WINDER CLAW	
12	SA1984001	1	BOBBIN PRESSER ARM	
13	062401216	1	SCREW PAN M4X12	
14	SA3294001	1	BOBBIN PRESSER	
15	S23418002	1	SCREW M4X5	
16	SA3295001	1	CLAW, B-WINDER	
17	012400436	2	SET SCREW SOCKET (FT) M4X4	
18	S10438001	1	SPRING, TWIST	
19	048050342	2	RETAINING RING E5	
20	SA4796001	1	SPACER COLLER	
21	SA3296001	1	BOBBIN WINDER SHAFT	
22	SA3297001	1	WHEEL, B-WINDER	
23	120448001	1	BOBBIN WINDER RUBBER BAND	
24	012400436	2	SET SCREW SOCKET (FT) M4X4	
25	159486001	2	WASHER	
26	SA1988001	1	BOBBIN SUPPORT	
27	S10268001	1	SPRING	
28	SA3298001	1	STPPER SHAFT, B-WINDER	
29	SA3299001	1	KNIFE	
30	062500616	1	SCREW PAN M5X6	
31	SA1994101	1	BOBBIN WINDER TENSION ASSY	
32	145446002	2	DISC, TENSION	
33	100401022	1	TENSION SPRING	
34	S31032001	1	TENSION NUT	
35	S12441001	1	WASHER	
36	012500536	1	SET SCREW SOCKET (FT) M5X5	
37	SA1359001	1	SPOOL PIN	
38	062061016	6	SCREW PAN M6X10	
39	SA4797101	1	DRIVING WHEEL B-WINDER	
40	S23651001	2	SET SCREW SOCKET (FT) M6X6	
41	117934001	1	RUBBER CAP, 13.5	

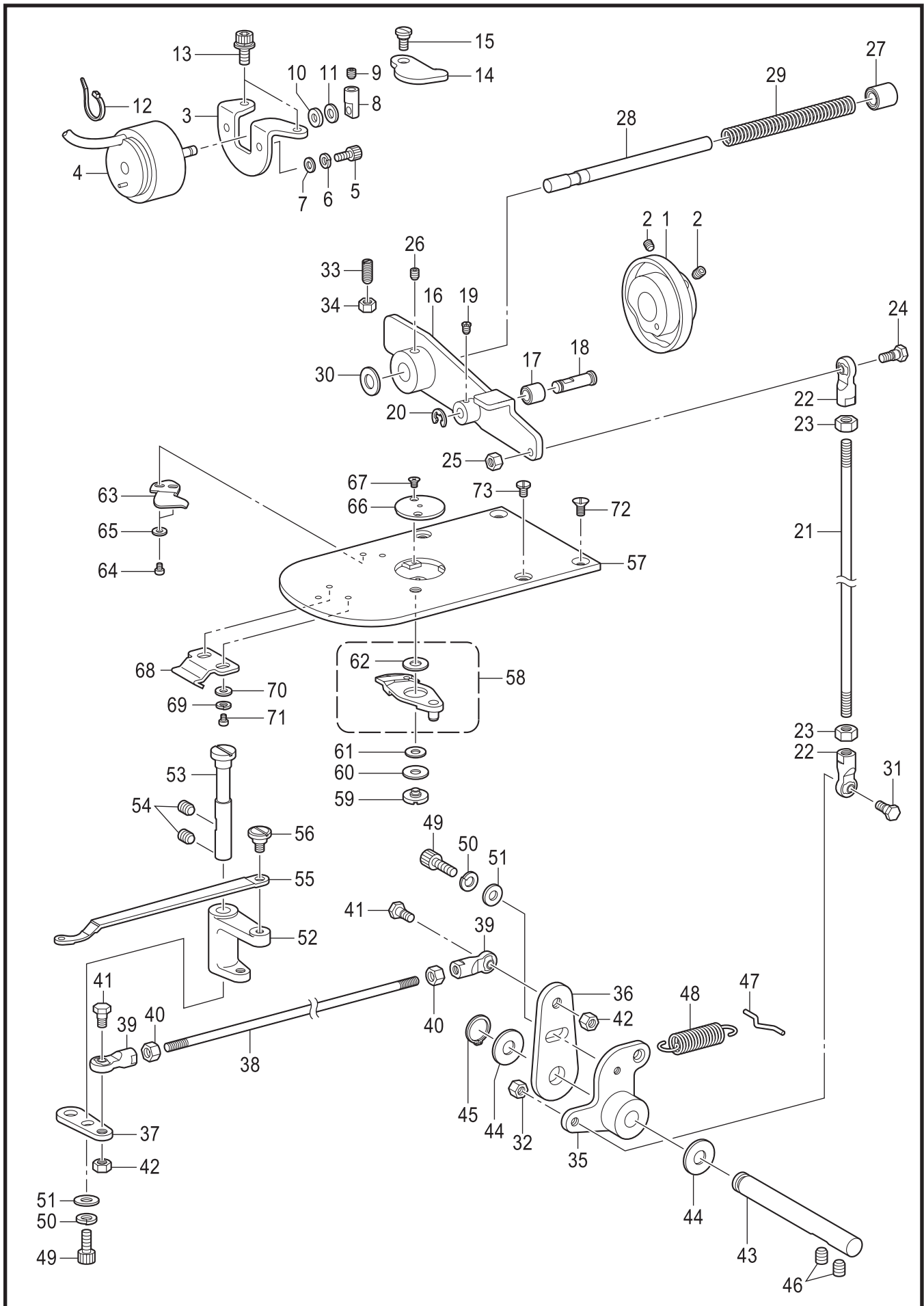
J .Thread trimmer mechanism /Meccanismo del tagliafilo



J. Thread trimmer mechanism /Meccanismo del tagliafilo

			NAME OF PARTS	RM
1	SA3301101	1	THREAD TRIMMER CAM	
2	S23651001	2	SET SCREW SOCKET (FT) M6X6	
3	SA4798001	1	SETTING PLATE SOLENOID	
4	SA5135101	1	THREAD TRIMMER SOLENOID	
5	017400802	2	BOLT M4X8	
6	028040246	2	WASHER SPRING 2-4	
7	026040236	2	WASHER PLAIN M 4	
8	SA3307001	1	SOLENOID LEVER	
9	012400436	1	SET SCREW SOCKET (FT) M4X4	
10	154599000	1	SOLENOID CUSHION	
11	S02652001	1	WASHER	
12	S04159000	1	BAND 1M	
13	S55484002	2	BOLT SOCKET (S/P WASHER) M5X10	
14	SA4799001	1	PUSHING LEVER D-LEVER	
15	SA3306001	1	SHOULDER SCREW, 7-3	
16	SA3309101	1	TR-DRIVING LEVER	
17	SA3310001	1	COLLAR, TR-TRIMMER	
18	SA3311001	1	COLLAR SHAFT	
19	S46903001	1	SET SCREW, M4X5	
20	048040342	1	RETAINING RING E4	
21	SA3315001	1	THREAD TRIMMER ROD V	
22	S32465101	2	BALL JOINT ASSY	
23	021060106	2	NUT 1 M6	
24	S32462001	1	SHOULDER SCREW, B; M6	
25	021060306	1	NUT 3 M6	
26	S23651001	1	SET SCREW SOCKET (FT) M6X6	
27	231071001	1	BUSH, 8X15	
28	SA3312201	1	GUIDE SHAFT	
29	SA3313101	1	SPRING, COMPRESSION	
30	154596000	1	CUSHION	
31	S32462001	1	SHOULDER SCREW, B; M6	
32	021060306	1	NUT 3 M6	
33	S25475101	1	SET SCREW, M6X19	
34	021060106	1	NUT 1 M6	
35	SA4546001	1	THREAD TRIMMER LEVER V	
36	SA3317001	1	THREAD TRIMMER LEVER H	
37	SA8652001	1	MOVING KNIFE LEVER	
38	SA8654001	1	THREAD TRIMMER ROD H	
39	S32465101	2	BALL JOINT ASSY	
40	021060106	2	NUT 1 M6	
41	S32462001	2	SHOULDER SCREW, B; M6	
42	021060306	2	NUT 3 M6	
43	SA3319101	1	SHAFT TR-TRIMMER LEVER	
44	SA4545001	2	SPACER	
45	048080142	1	RETAINING RING EXTERNAL C8	
46	012060636	2	SET SCREW SOCKET (FT) M6X6	
47	SA8655001	1	SPRING HOOK	
48	SA3321001	1	SPRING, EXTENSION	
49	018501236	2	BOLT SOCKET M5X12	
50	028050246	2	WASHER SPRING 2-5	
51	146354002	2	WASHER, PLAIN 5	
52	SA8656001	1	MOVING KNIFE LEVER	
53	SA8657001	1	SHAFT MOVABLE KNIFE LEVER	
54	012060636	2	SET SCREW SOCKET (FT) M6X6	
55	SA8658101	1	M-KNIFE CONNECTING PLATE	
56	SA4354001	1	SHOULDER SCREW, 6-1.8	
57	SA5157101	1	NEEDLE PLATE A	
58	SA6596001	1	MOVABLE KNIFE SET F	
59	SA4518001	1	MOVABLE KNIFE SHOULDER SCREW	
60	SA4519001	1	THRUST WASHER	
61	S00705001	1	MOVABLE KNIFE COLLAR	
62	SA6397001	1	M-KNIFE SPACER T0.2	
62	SA3334001	1	M-KNIFE SPACER T0.3	

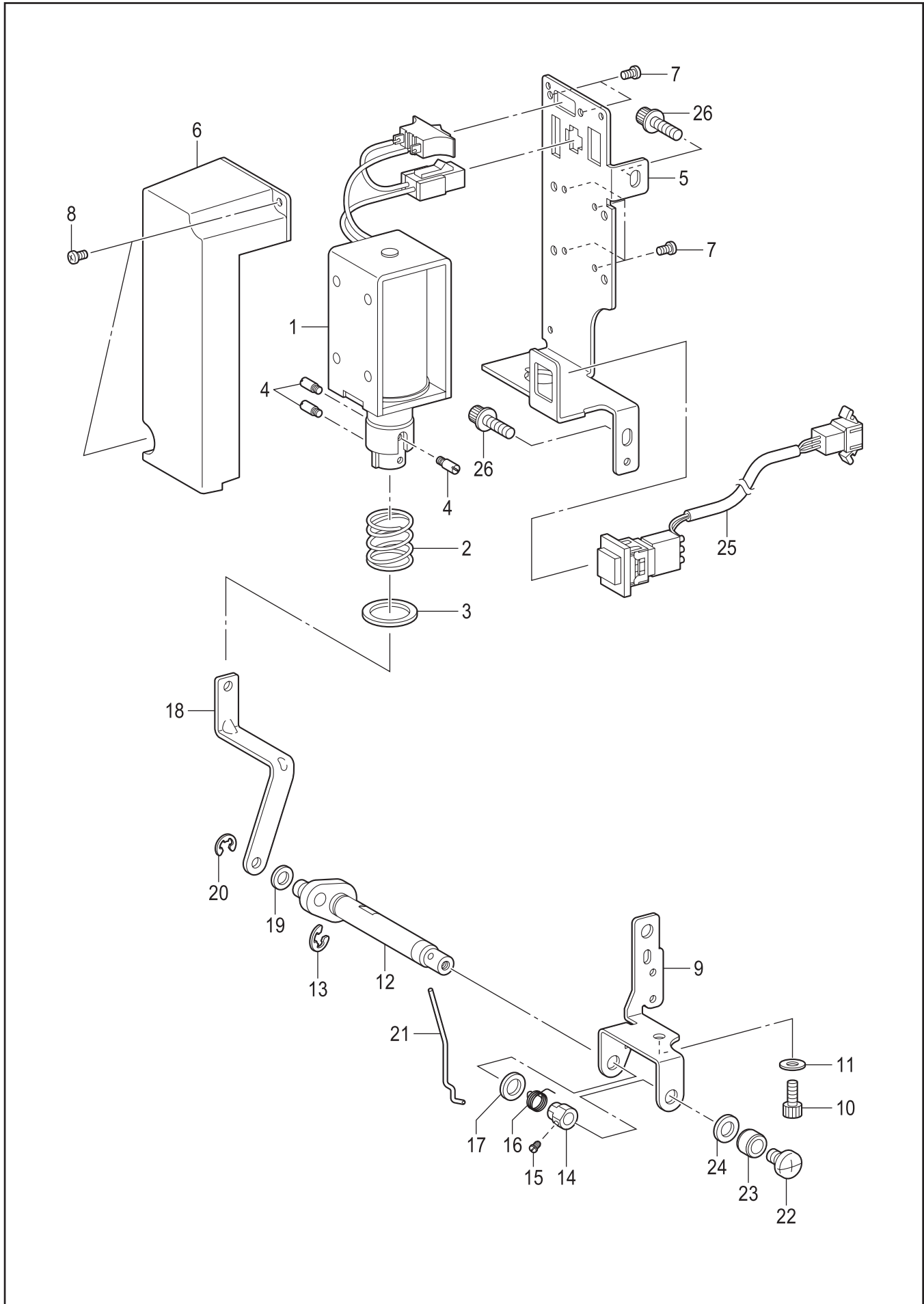
J .Thread trimmer mechanism /Meccanismo del tagliafilo



J . Thread trimmer mechanism /Meccanismo del tagliafilo

				NAME OF PARTS	RM
62	SA6398001	1		M-KNIFE SPACER T0.4	
63	SA7944001	1		FIXED KNIFE FL	
64	062300416	2		SCREW PAN M3X4	
65	025030236	2		WASHER PLAIN M 3	
66	SA3336101	1		NEEDLE HOLE PLATE 2.4C0.4	
67	100360003	2		SCREW	
68	SA6273101	1		SHUTTLE RACE COVER HOOK U	
69	028030246	2		WASHER SPRING 2-3	
70	025030236	2		WASHER PLAIN M 3	
71	062300416	2		SCREW PAN M3X4	
72	S25310101	2		SCREW, FLAT M4	
73	SA3538001	2		SCREW, M4X8	

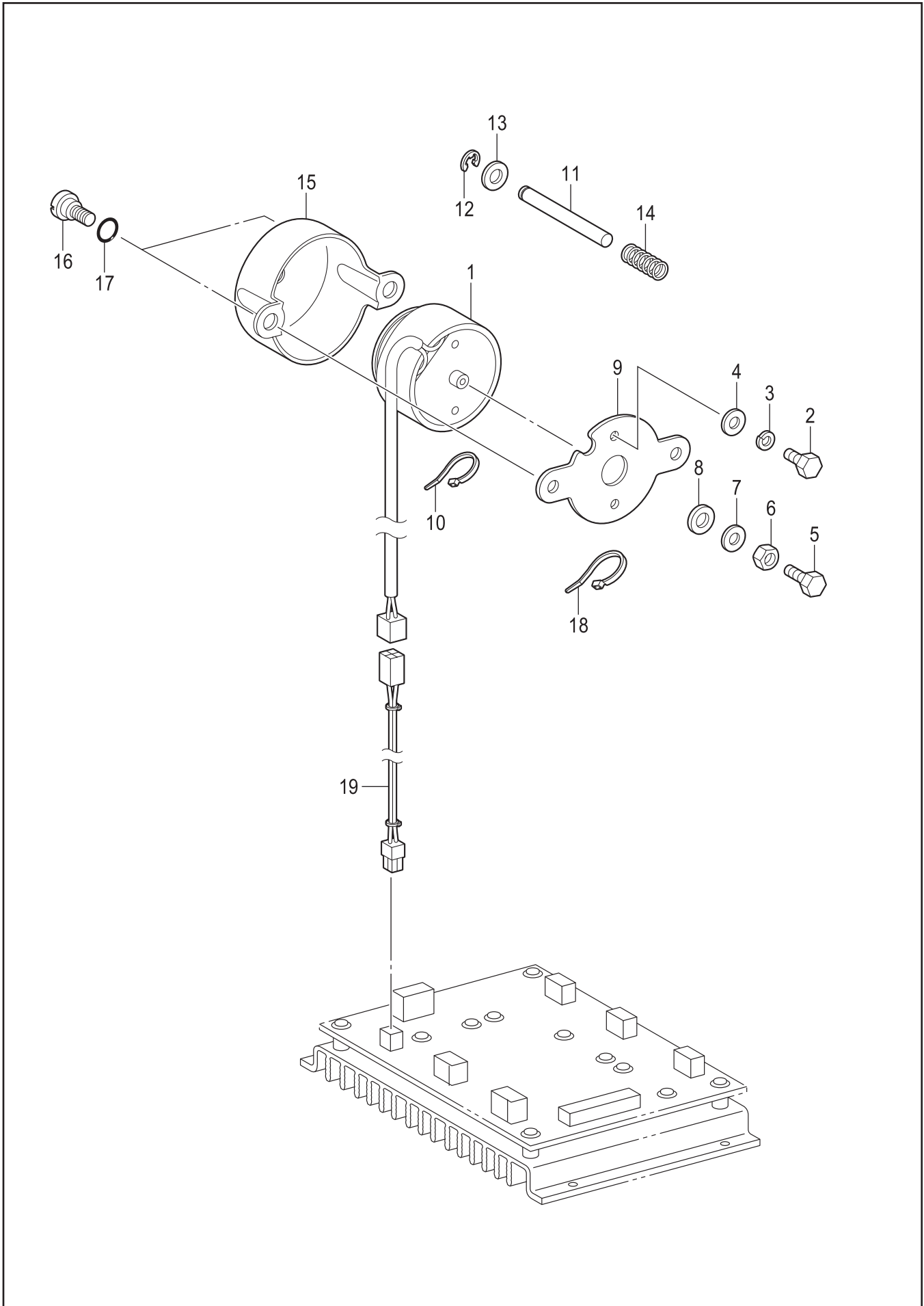
K .Thread wiper mechanism/Meccanismo rimozione del filo



K. Thread wiper mechanism /Meccanismo rimozione del filo

				NAME OF PARTS	RM
1	SA5208001	1		THREAD WIPER SOLENOID ASSY	
2	S41206001	1		THREAD WIPER SPRING	
3	S41205001	1		WASHER, PLAIN	
4	S25456001	3		PLUNGER PIN	
5	SA5217001	1		T-WIPER SOLENOID SETTING PLATE	
6	SA4806001	1		SOLENOID COVER	
7	062300616	6		SCREW PAN M3X6	
8	0A4300606	2		SCREW PAN (S/P WASHER) M3X6	
9	SA5218001	1		THREAD WIPER SHAFT BRACKET	
10	018400836	1		BOLT SOCKET M4X8	
11	025040236	1		WASHER PLAIN M 4	
12	SA8057001	1		THREAD WIPER CRANK ASSY	
13	048040342	1		RETAINING RING E4	
14	S25454001	1		SET SCREW COLLAR	
15	S25279101	1		SET SCREW (CP) M3.5-5	
16	SA2287001	1		SPRING	
17	149097000	1		SILENT SHEET	
18	SA5219001	1		THREAD WIPER ROD	
19	110735001	1		WASHER	
20	048030342	1		RETAINING RING E3	
21	S10470201	1		WIPER	
22	060400516	1		SCREW BIND M4X5	
23	146288001	1		THREAD WIPER STUD COLLAR	
24	S03677001	1		WASHER	
25	SA5213001	1		STOP SWITCH ASSY	
26	S55485001	2		BOLT SOCKET (S/P WASHER) M5X12	

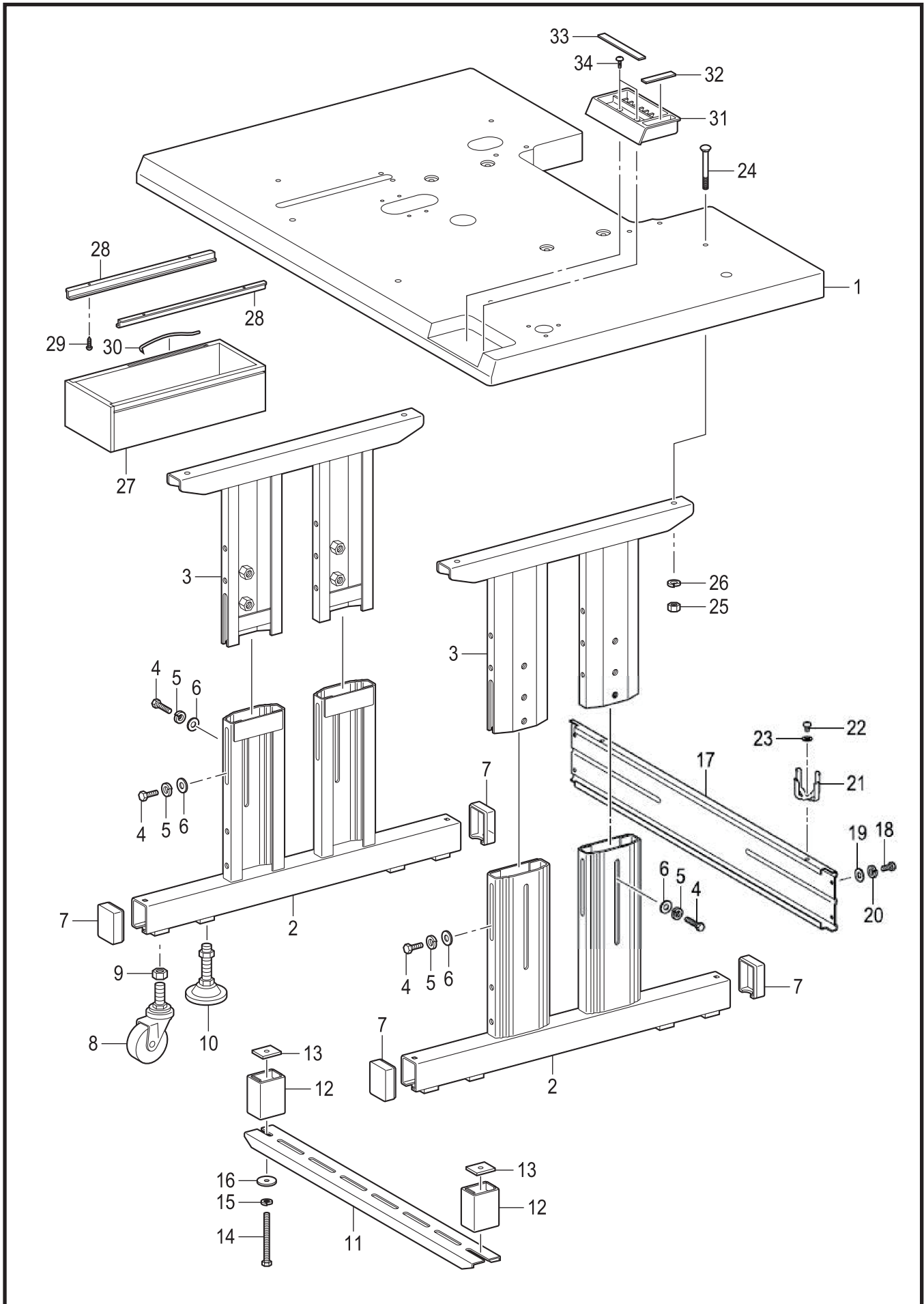
L .Tension release mechanism /Meccanismo di rilascio della tensione



L. Tension release mechanism/Meccanismo di rilascio del filo

			NAME OF PARTS	RM
1	SA4855001	1	TENSION RELEASE SOLENOID HV	
2	017400802	2	BOLT M4X8	
3	028040246	2	WASHER SPRING 2-4	
4	026040236	2	WASHER PLAIN M 4	
5	017401415	1	BOLT M4X14	
6	021400306	1	NUT 3 M4	
7	102707002	1	WASHER	
8	154599000	1	SOLENOID CUSHION	
9	SA6389001	1	SETTING PLATE SOLENOID	
10	S04159000	1	BAND 1M	
11	SA3347001	1	TENSION RELEASE BAR	
12	048040342	1	RETAINING RING E4	
13	025050236	1	WASHER PLAIN M 5	
14	SA3348001	1	SPRING, COMPRESSION	
15	SA3349001	1	SOLENOID COVER	
16	SA3306001	2	SHOULDER SCREW, 7-3	
17	081007070	2	O RING P7	
18	S04159000	1	BAND 1M	
19	SA8529001	1	T-RELEASE EXTENSION HRANESS	

U . Power table /Tavolo



U. Power table /Tavolo

				NAME OF PARTS	RM
1	SA8692001	1		TABLE 342G	
2	SA8248001	2		OUTER STAND	
3	SA8249001	2		TABLE SUPPORT	
4	017081606	12		BOLT M8X16	
5	028080246	12		WASHER SPRING 2-8	
6	S09312001	12		WASHER PLAIN L 8	
7	S10661109	4		OUTER STAND CAP RUBBER	
8	152393200	4		CASTER	
9	021160303	4		NUT, 3 M16	
10	SA8250001	4		ADJUSTER 16	
11	SA8251001	1		TREADLE SUPPORT BASE	
12	S09317109	2		SPACER	
13	S09225001	2		NUT SQUARE	
14	017080006	2		BOLT M8X100	
15	028080246	2		WASHER SPRING 2-8	
16	S09226001	2		TREADLE SUPPORT WASHER	
17	S11531009	1		BEAM	
18	017081606	4		BOLT M8X16	
19	025080236	4		WASHER PLAIN M 8	
20	028080246	4		WASHER SPRING 2-8	
21	133172003	1		OILER BASE	
22	037521016	1		TAPPING SCREW PAN 2 M5X10	
23	025050236	1		WASHER PLAIN M 5	
24	222372001	4		BOLT, SQUARE M8X70	
25	021080106	4		NUT 1 M8	
26	028080246	4		WASHER SPRING 2-8	
27	119702004	1		SIDE DRAWER	
28	101121100	2		SUPPORTER SIDE DRAWER	
29	032361306	4		WOOD SCREW ROUND 2 M3.5X13	
30	101073001	1		SPRING	
31	S15158009	1		ACCESSORY CASE	
32	S02740000	1		FELT	
33	S02739000	1		RUBBER MAGNET TAPE	
34	039411215	2		TAPPING SCREW TRUSS 1 M4X12	

CATALOGO RICAMBI

SPARE PARTS LIST

LISTE DES PIE'CES

CATALOG PIESE DE SCHIMB

N 300 - 200



Vers.10-2022



Via Alpi, 149-151-153
Zona Ind. Villa Luciani
63812 Montegranaro (FM) Italy
Phone: +39.0734.890103 - 890912

www.bramac.it
bramac@bramac.it