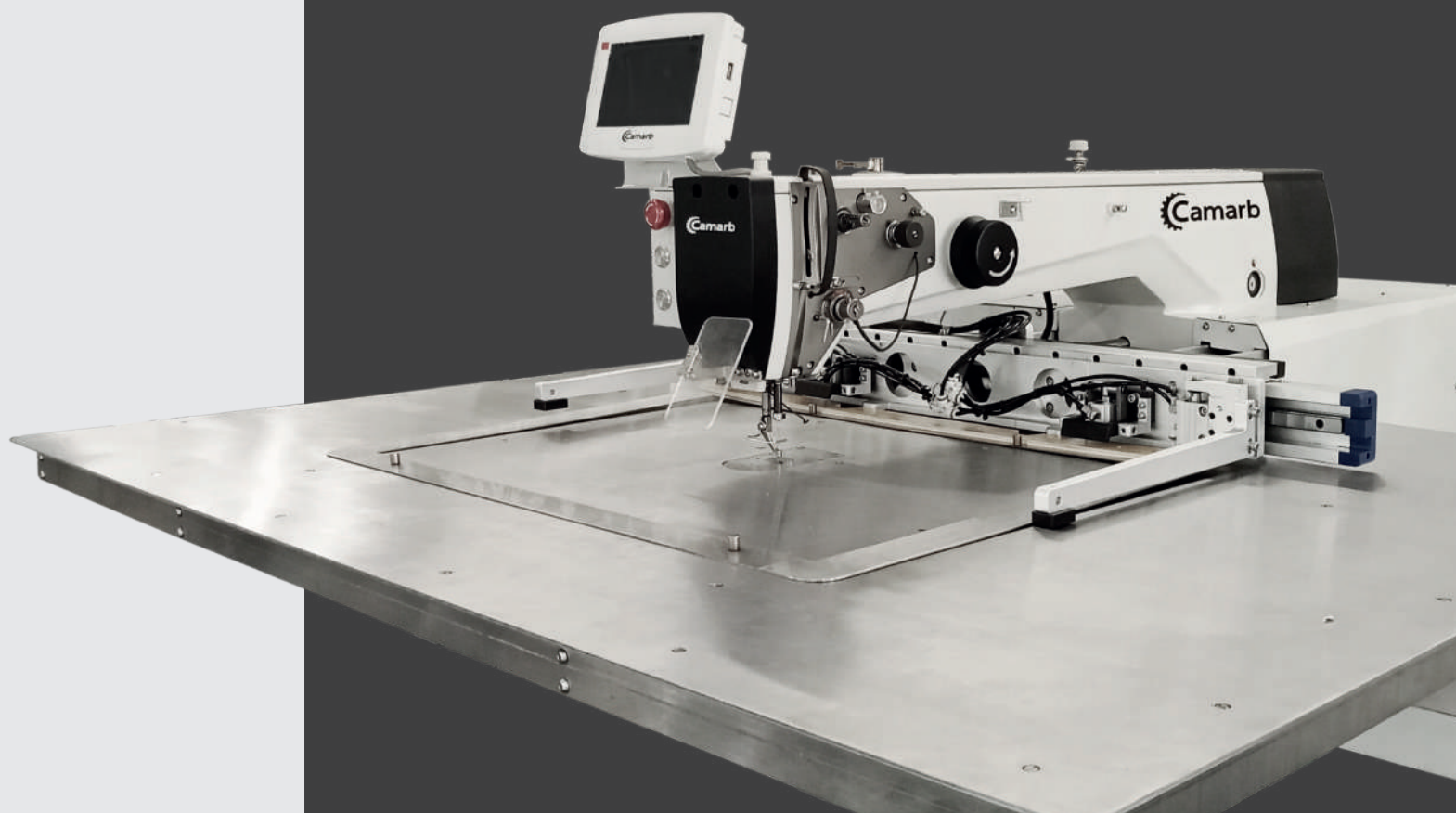




CATALOGO RICAMBI
SPARE PARTS LIST

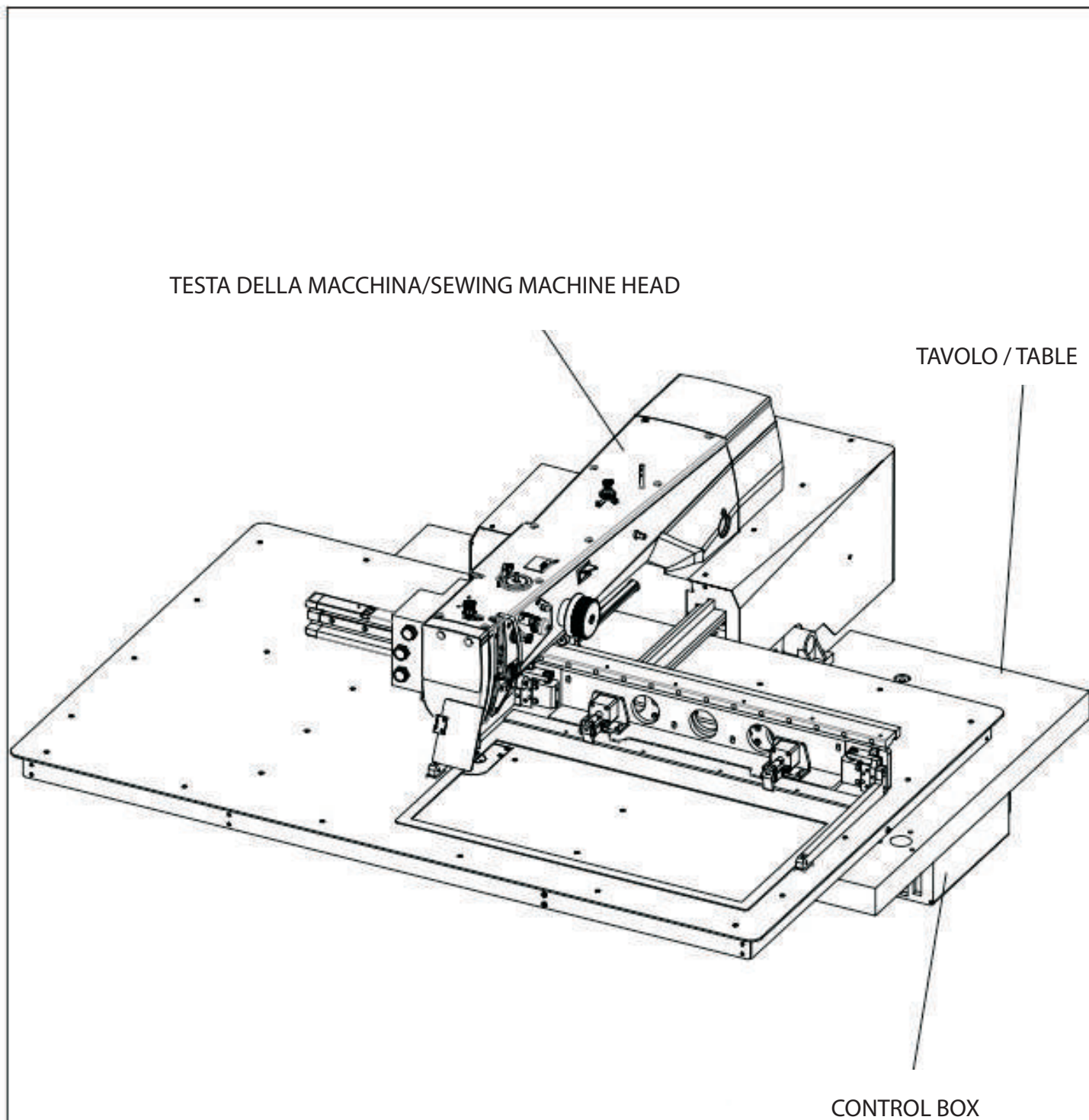
N600-400



La ristampa, la riproduzione e la traduzione, anche di singoli passi, di manuali Camarb sono consentite solo attraverso nostra autorizzazione e con indicazione dell'origine.



Via Alpi, 149-151-153
Zona industriale Villa Luciani
63812 Montegranaro (FM) Italy
Phone: +39.0734.890103 - 890912
Fax: +39.890154
www.bramac.it
bramac@bramac.it



The parts which Fig.no. are not available individually. It can be supplied with the whole component.

Le parti nella la Fig.n. non sono disponibili singolarmente. Può essere fornito l'intero componente.

Fig (No)	Description	Ame Red
6M3	Nut M3	2
6YZ512	Socket bolt M5*12	12
6YZ516	Socket bolt M5*16	2
SC38	Socket bolt M3*8	2
SY45	Socket bolt M4*5	2
SY46	Socket bolt M4*6	2
SY48	Socket bolt M4*8	16
SY58	Socket bolt M5*8	2
U120	Thread guide	1
MT434	Cover	3
MT435	Baffle(left)	2
MT436	Baffle(right)	1
W-40	Eye guard holder	1
W-42	screw M4*12	1
W-43	Eye guard hinge	1
W-44	Hinge	1
XA113	Gasket	1
XA111ZY	Face cover	1
XA122	Thread take-up lever guard	1
XA143ZY	Cover	1
XF102	Crank cover	1
XG101	Thread guard	1
XG107	Wire passing column	1
XG301ZY	Setting plate	1
XG302	Regulator casing	1
XG303	Thread tension stud	1
XG304	Pin	1
XG305	Wire passing assembly	1
XG306	Wire passing assembly	1
XG307	Washer 4	1
XG308	Wire feeder	1
XG401	Thread tension stud	1
XG402	Thread tension discs	2
XG403	Disc retaining plate	1
XG404	Thread tension Spring	1
XG405	Thumb nut	1
XG406	Permanent seat	1
XG501	Thread tension stud	1
XG502	Thread tension discs	4
XG503	Thread tension spring	1
XG504	Thumb nut	4
XG505	Wire feeder	1
XG506	Spring seat	1
XG507	Spring compression	1
XG508	Quick adjustment	1
XG510	Adjustment nut	1
XG511	Spring	1
XG512	Thread nut	1
XG514	Wire passing assembly	3
XG518	Screw M4*12	6
XG519	Wire passing assembly	1
XH101ZY	Cover	6
XH129	Knife	1
XH137	Spool pin	1
XJ157	Needle plate seat	1
XJ166	Needle plate	1
XJ167	Screw 3/32 (56) *2.8	2
YCT48	Screw M4*8	2
YYZ48	Screw M4*8	2
Z20	Pin	1
Z21	Eye guard spring	1

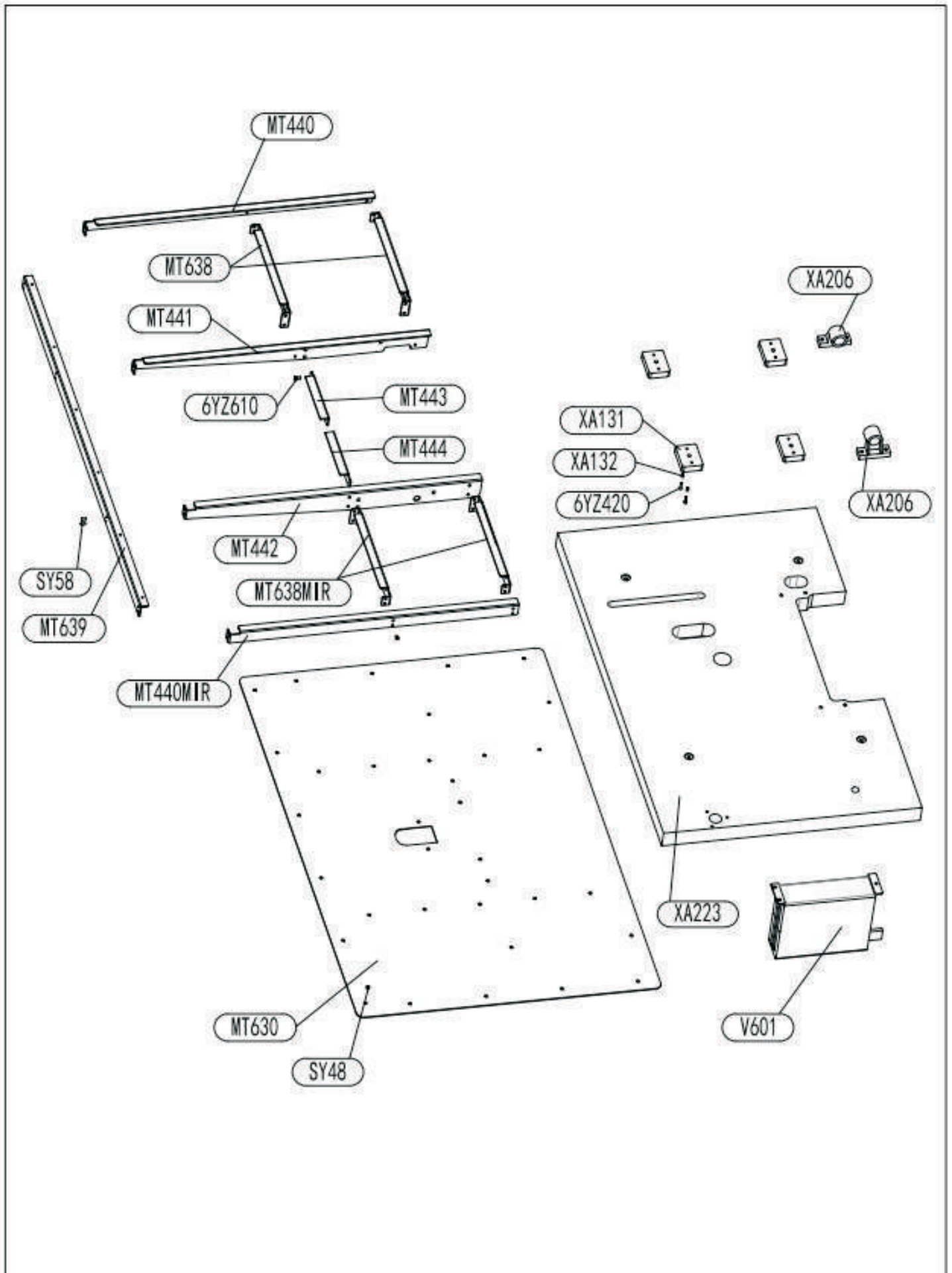
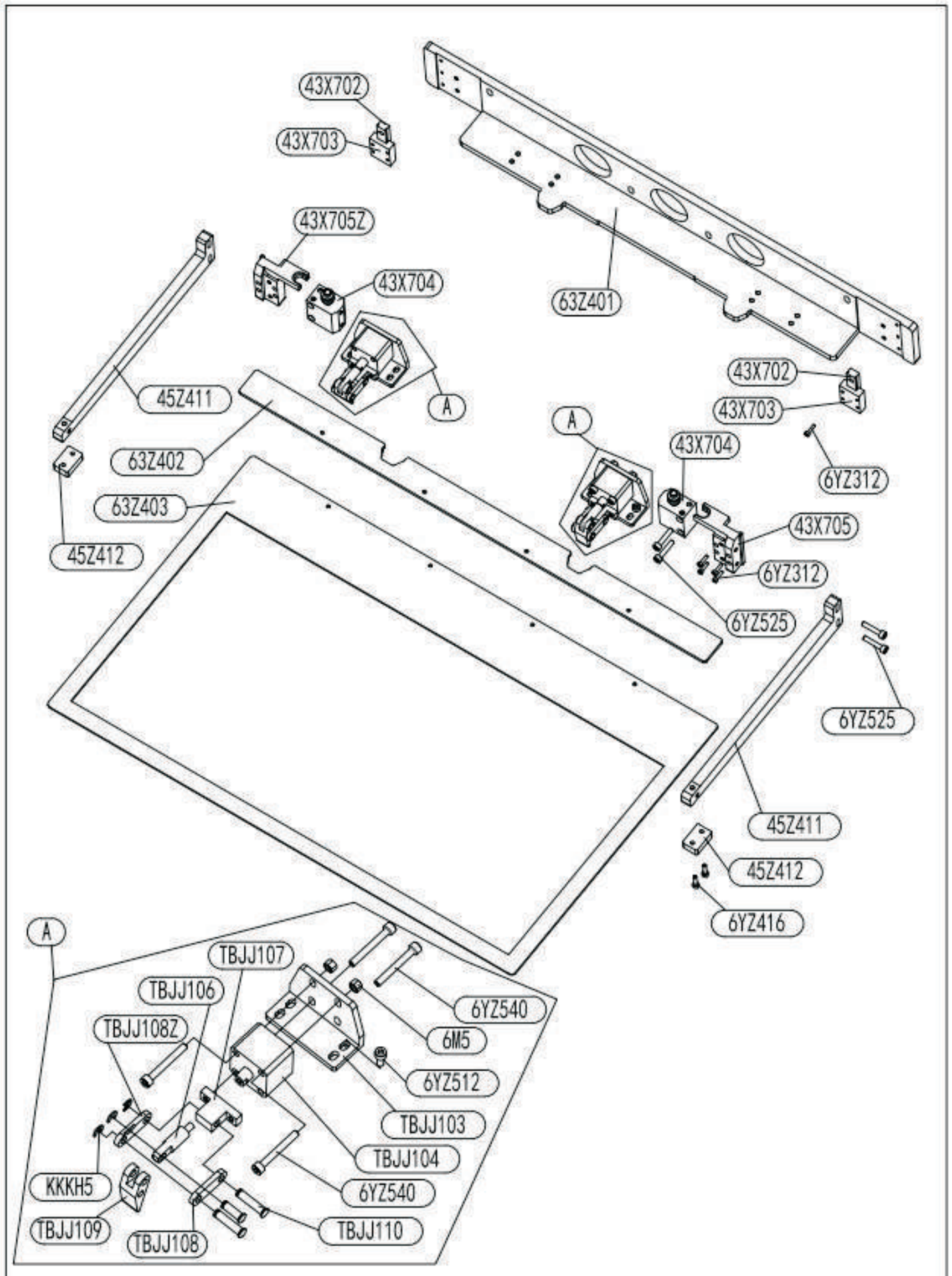
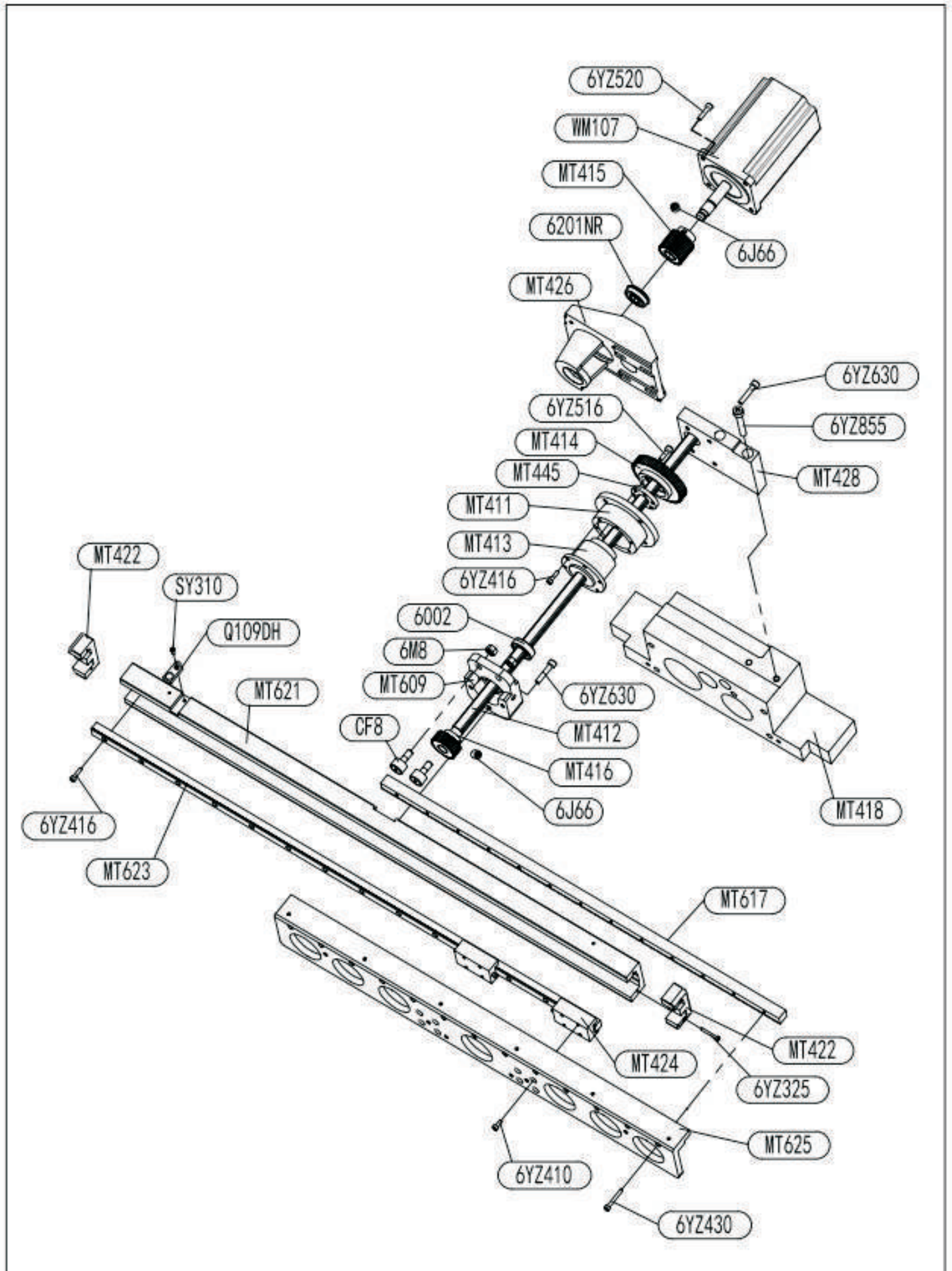


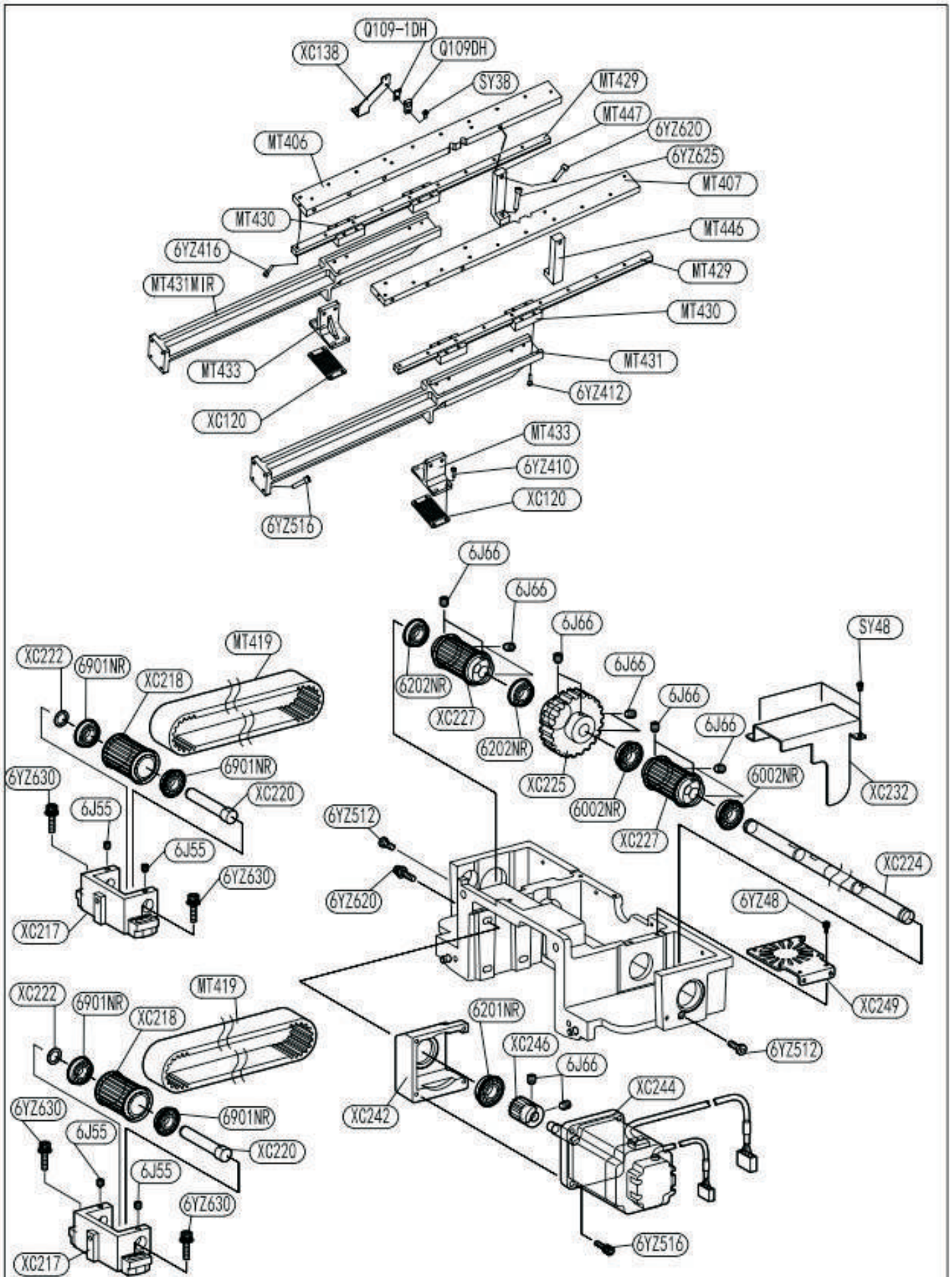
Fig (No)	Description	Ame Red
6YZ610	Socket bolt M6*10	14
6YZ420	Socket bolt M4*20	8
MT440	Support plate	1
MT440MIR	Support plate	1
MT441	Support plate	1
MT442	Support plate	1
MT443	Support plate	1
MT444	Support plate	1
MT630	Auxiliary plate	1
MT638	Support plate	2
MT638MIR	Support plate	2
MT639	Support plate	1
SY48	Socket bolt M4*8	1
SY58	Socket bolt M5*8	3
V601	Control box	1
XA131	Cushion	4
XA132	Spacer	8
XA206	Hinge holder	2
XA223	Table board	1



Fig(No)	Description	Ame Red
43X702	Guide	2
43X703	Slider	2
43X704	Cylinder assembly	2
43X705	Skateboard(right)	1
43X705Z	Skateboard(left)	1
45Z411	Press arm	2
45Z412	Briquettings	2
6YZ312	Socket bolt M3*12	14
63Z401	Setting plate	1
63Z402	Press plate fixing plate	1
63Z403	Platen	1
6M5	Nut M5	4
6YZ416	Socket bolt M4*16	4
6YZ512	Socket bolt M5*12	8
6YZ525	Socket bolt M5*25	8
6YZ540	Socket bolt M5*40	8
KKKH5	Open circlip	6
TBJJ103	Cylinder fixing plate	2
TBJJ104	Cylinder	2
TBJJ106	Floating joint	2
TBJJ107	Junction plate	2
TBJJ108	Connecting piece(right)	2
TBJJ108Z	Connecting piece(left)	2
TBJJ109	Clamping head	2
TBJJ110	Pin (long)	4
TBJJ111	Pin (short)	2



Fig(No)	Description	Ame Red
6002	Ball bearing	1
6201NR	Ball bearing	1
6J66	Screw M6*6	4
6M8	Nut M8	2
6YZ325	Socket bolt M3*25	4
6YZ410	Socket bolt M4*10	8
6YZ416	Socket bolt M4*16	20
6YZ430	Socket bolt M4*30	13
6YZ516	Socket bolt M5*16	6
6YZ520	Socket bolt M5*20	4
6YZ630	Socket bolt M6*30	4
6YZ855	Socket bolt M8*55	2
CF8	Guide	2
SY310	Socket bolt M3*10	1
MT411	Fixed seat	1
MT412	Spline shaft	1
MT413	Spline nut	1
MT414	Main gear	1
MT415	Pinion	1
MT416	Gear	1
MT418	Fixed seat	1
MT422	Fixed block	2
MT424	Slider	2
MT426	Fixed seat	1
MT428	Fixing plate	1
MT445	Locking plate	1
MT609	Bearing seat	1
MT617	Rack	1
MT621	Track plate	1
MT623	Guide	1
MT625	Skateboard	1
Q109DH	Detector	1
WM107	Motor	1



Fig(No)	Description	Ame Red
6201NR	Ball bearing	1
6202NR	Ball bearing	2
6002NR	Ball bearing	2
6901NR	Ball bearing	4
6J55	Screw M5*5	4
6J66	Screw M6*6	8
6YZ48	Socket bolt M4*8	2
6YZ410	Socket bolt M4*10	8
6YZ412	Socket bolt M4*12	16
6YZ416	Socket bolt M4*16	18
6YZ512	Socket bolt M5*12	2
6YZ516	Socket bolt M5*16	12
6YZ620	Socket bolt M6*20	6
6YZ625	Socket bolt M6*25	2
6YZ630	Socket bolt M6*30	4
MT406	Track plate (left)	1
MT407	Track plate (right)	1
MT419	Synchronous belt	2
MT429	Guide	2
MT430	Slider	4
MT431	Skateboard(right)	1
MT431MIR	Skateboard(left)	1
MT433	Junction plate	2
MT446	Fixing plate(right)	1
MT447	Fixing plate(left)	1
Q109DH	Detector	1
Q109-1DH	Fixator	1
SY38	Socket bolt M3*8	1
SY48	Socket bolt M4*8	3
XC120	Belt holder	2
XC138	Support frame	1
XC217	Y Pulley bracket	2
XC218	Synchronous wheel	2
XC220	Shaft	2
XC222	Pulley fulcrum shaft collar	2
XC224	shaft	1
XC225	Y Gear	1
XC227	Synchronous wheel	2
XC232	Synchronous wheel cover	1
XC242	Y motor gear	1
XC244	Motor	1
XC246	Motor gear	1
XC249	Fan bracket	1

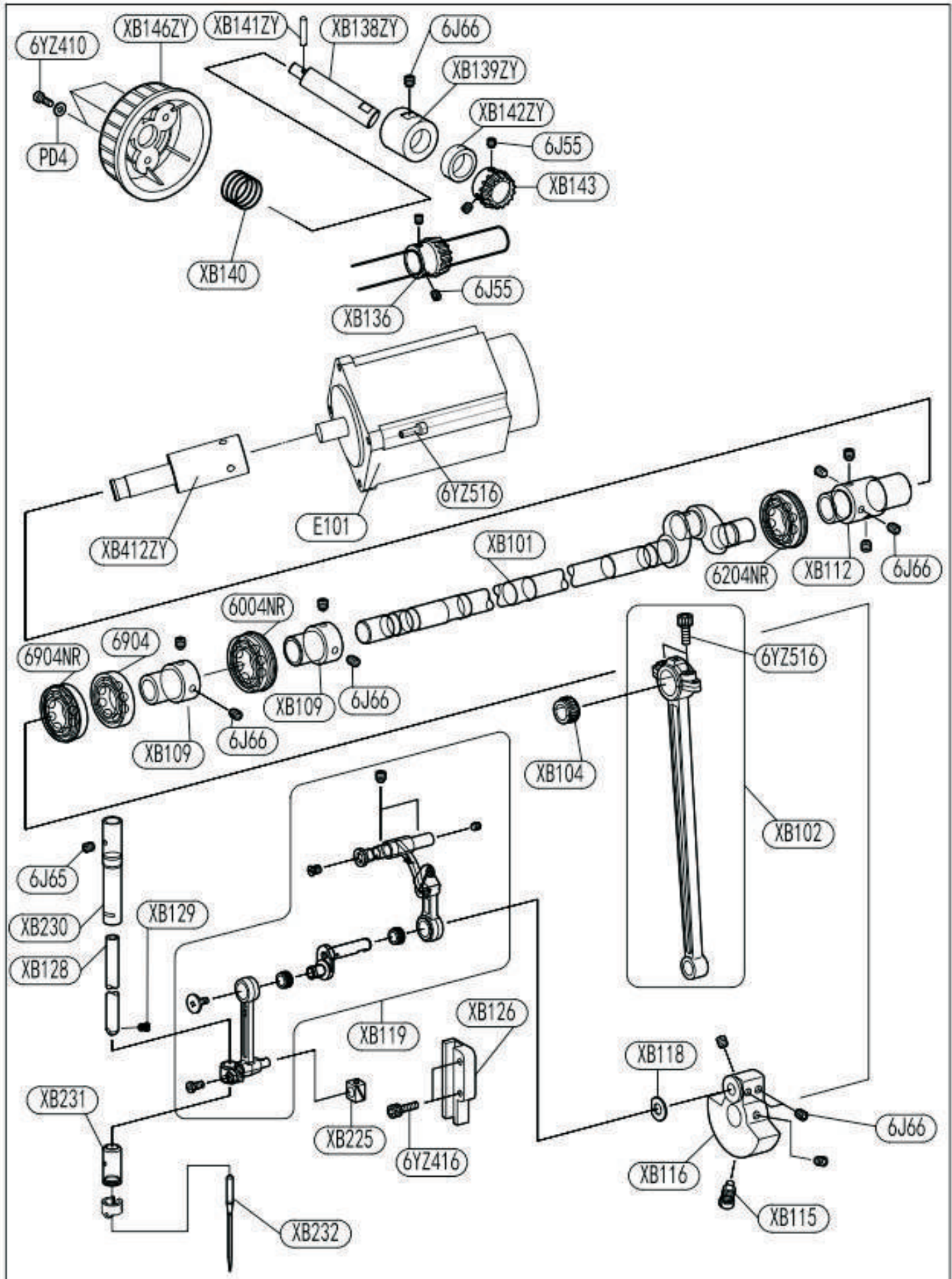
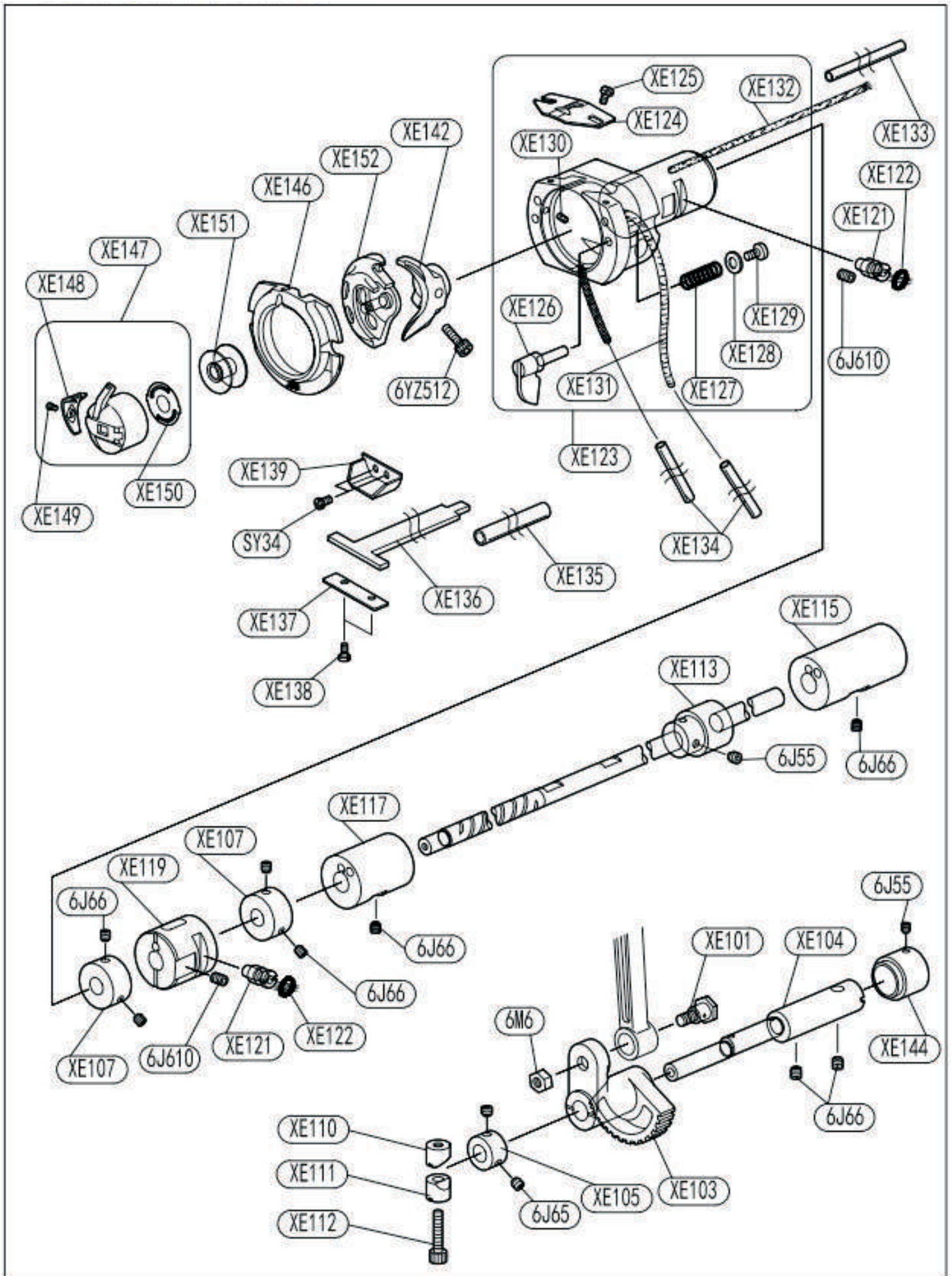


Fig (No)	Description	Ame Red
6004NR	Ball bearing	1
6204NR	Ball bearing	1
6904	Ball bearing	1
6904NR	Ball bearing	1
6J55	Screw M5*5	4
6J65	Screw M6*5	1
6J66	Screw M6*6	12
6YZ410	Socket bolt M4*10	3
6YZ416	Socket bolt M4*16	2
6YZ516	Socket bolt M5*16	6
E101	Motor	1
PD4	Washer 4	3
XB101	Shaft	1
XB102	Crank rod assy	1
XB104	Needle bearing	1
XB109	Ball Bearing bush	2
XB112	Joint G	1
XB115	Screw M8	1
XB116	Thread take-up crank G	1
XB118	Washer, plain special 8	1
XB119	Thread take-up lever FK set	1
XB126	Slide block guide	1
XB128	Needle bar	1
XB129	Set screw SM3. 57-40*4.5	1
XB136	Pulley gear R	1
XB138ZY	Hand wheel shaft	1
XB139ZY	Hand wheel sleeve	1
XB140	Spring	1
XB141ZY	Pin	1
XB142ZY	Washer	1
XB143	Gear	1
XB146ZY	Hand wheel	1
XB225	Slide block	1
XB230	Needle bar bush UK	1
XB231	Needle bar bush D	1
XB232	Needle, DPX17	1
XB412ZY	Motor sleeve shaft	1



Fig(No)	Description	Ame Red
6M6	Nut M6	1
6J55	Screw M5*5	6
6J66	Screw M6*6	9
6J610	Screw M6*10	2
6YZ512	Socket bolt M5*12	1
SY34	Screw M3*4	2
XE101	Shoulder screw	1
XE103	Rock gear	1
XE104	Rock gear shaft	1
XE105	Set collar	1
XE107	Set collar	2
XE110	Pinch sleeve A	1
XE111	Pinch sleeve B	1
XE112	Bolt socket M4*20	1
XE113	Lower shaft assy	1
XE115	Lower shaft bush	1
XE117	Lower shaft M bush	1
XE119	Lower shaft A-bush	1
XE121	Adjusting stud	2
XE122	O ring	2
XE123	Shuttle race base assy	1
XE124	Shuttle race thread guide	1
XE125	Screw M3*4	2
XE126	S-race base setting claw	2
XE127	Compression spring	2
XE128	Washer plain S3	2
XE129	Screw pan M3*6	2
XE130	S-race base felt	2
XE131	S-race base felt	2
XE132	Wick 6*6	1
XE133	Oil tube	1
XE134	Oil tube	2
XE135	Oil tube	1
XE136	S-race base felt	1
XE137	Felt holder	1
XE138	Screw M3*5.5	2
XE139	Felt holder	1
XE142	Driver D	1
XE144	Set collar	1
XE146	Shuttle race base B	1
XE147	Bobbin case assy LC	1
XE148	Tension spring, AN	1
XE149	Bobbin case spring screw	1
XE150	Anti-spin spring	1
XE151	Bobbin LAN	1
XE152	Middle rotating shuttle assembly	1

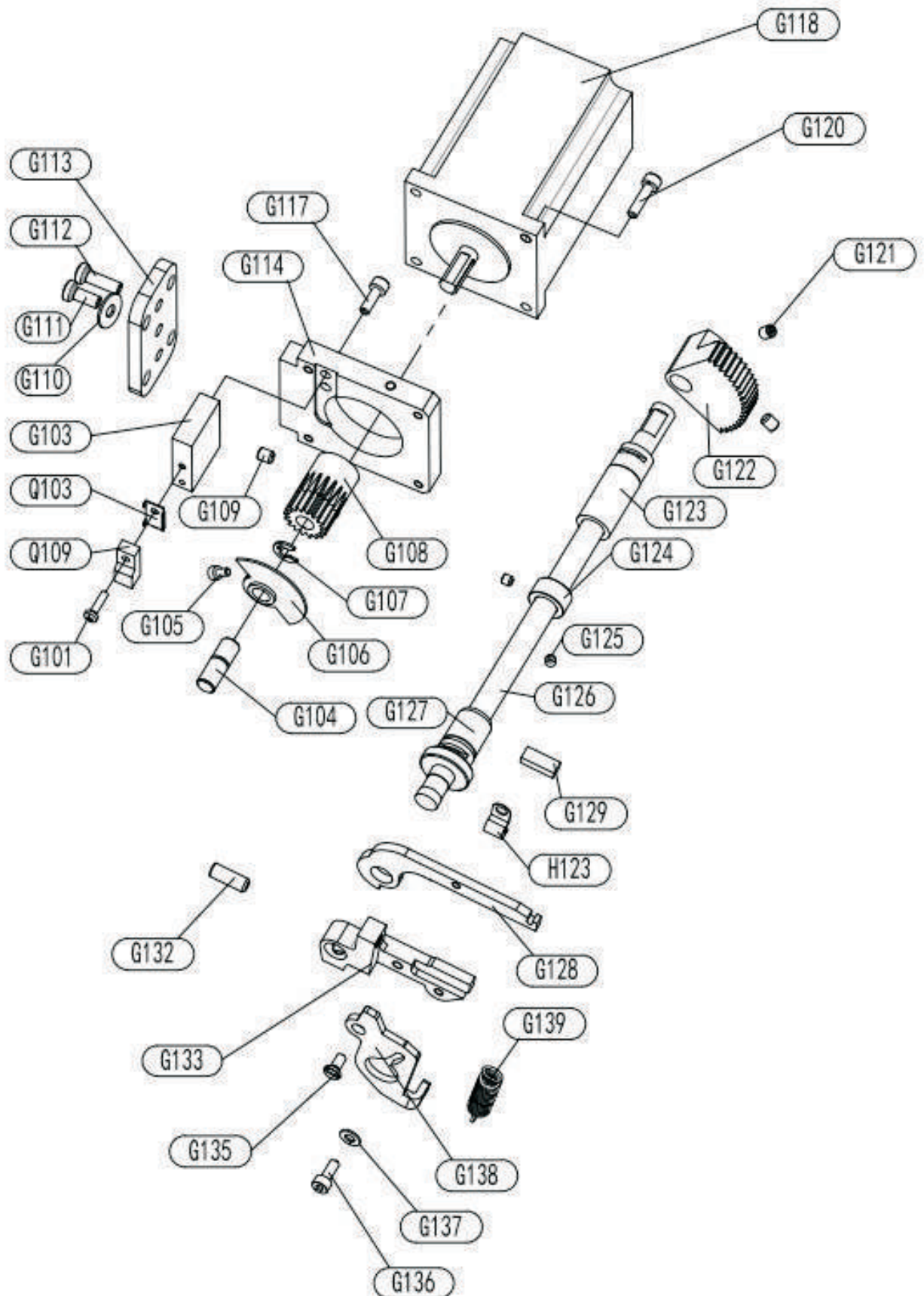
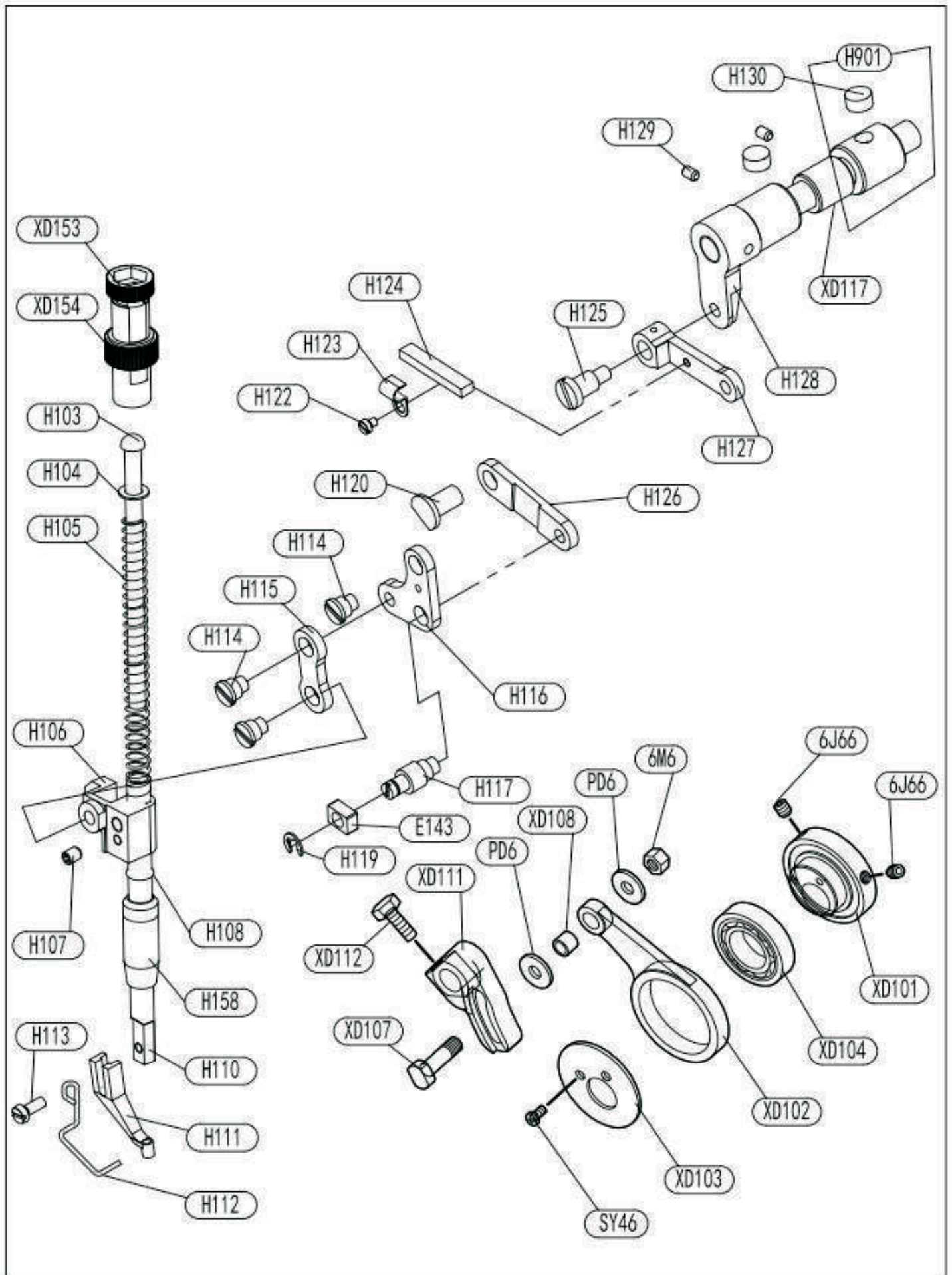


Fig (No)	Description	Ame Red
G101	Screw M3*12	1
G103	Detector bracket	1
G104	Shaft	1
G105	Socket bolt M3*6	1
G106	Detector plate	1
G107	E-tupe retaining ring 6	1
G108	Gear	1
G109	Screw M5*6	2
G110	Washer 5	1
G111	Socket bolt M5*14	4
G112	Socket bolt M5*12	3
G113	Presser foot motor adapter	1
G114	Presser foot motor bracket	1
G117	Socket bolt M4*8	2
G118	Stepping motor	1
G120	Socket bolt M4*14	4
G121	Screw M5*8	2
G122	Sector gear	1
G123	Presser foot bushing (rear)	1
G124	Set collar	1
G125	Screw M4*4	2
G126	Presser foot driving shaft	1
G127	Presser foot bushing (front) assy	1
G128	Presser foot bushing lever B	1
G129	Felt	1
G132	Screw M6*16	1
G133	Presser foot lifting lever A	1
G135	Screw 11/64(40)*5	1
G136	Socket bolt M4*10	1
G137	Washer 4	1
G138	Hook plate	1
G139	Spring	1
Q103	Holder	1
Q109	Detector	1
H123	Holder	2



Fig(No)	Description	Ame Red
6M6	Nut M6	1
6J66	Screw M6*6	2
E143	Square block	1
H103	Presser bar guide	1
H104	Washer 6	1
H105	Spring	1
H106	Presser bar holder	1
H107	Screw 15/64 (28) ×7	1
H108	O-ring	1
H110	Presser bar	1
H111	Presser foot φ3	1
H112	Needle guard	1
H113	Screw 9/64(40)*8	1
H114	Screw 1/4 (40) ×4	3
H115	Link	1
H116	Bell crank	1
H117	Screw 1/4 (40) ×4	1
H119	E-type retaining ring 5	1
H120	Stepped pin	1
H122	Screw 9/64 (40) ×16	1
H123	Holder	1
H124	Felt	1
H125	Screw 1/4 (40) ×7	1
H126	Link	1
H127	Link	1
H128	Arm shaft assy	1
H129	Screw M4*6	2
H130	Felt	2
H901	Bushing assy	2
PD6	Washer 6	2
SY46	Screw M4*6	2
XD101	Stepping clamp cam	1
XD102	Stepping clamp con.rod	1
XD103	Washer stepping clamp cam	1
XD104	Ball bearing, 6805VV	1
XD107	Roller shaft stepping clamp	1
XD108	Roller stepping clamp	1
XD111	Stepping clamp arm R	1
XD112	Bolt M6*12	1
XD117	Bush stepping clamp R	1
XD153	Thumb screw M14*1	1
XD154	Nut M14*1	1
XD158	Presser bar bush	1

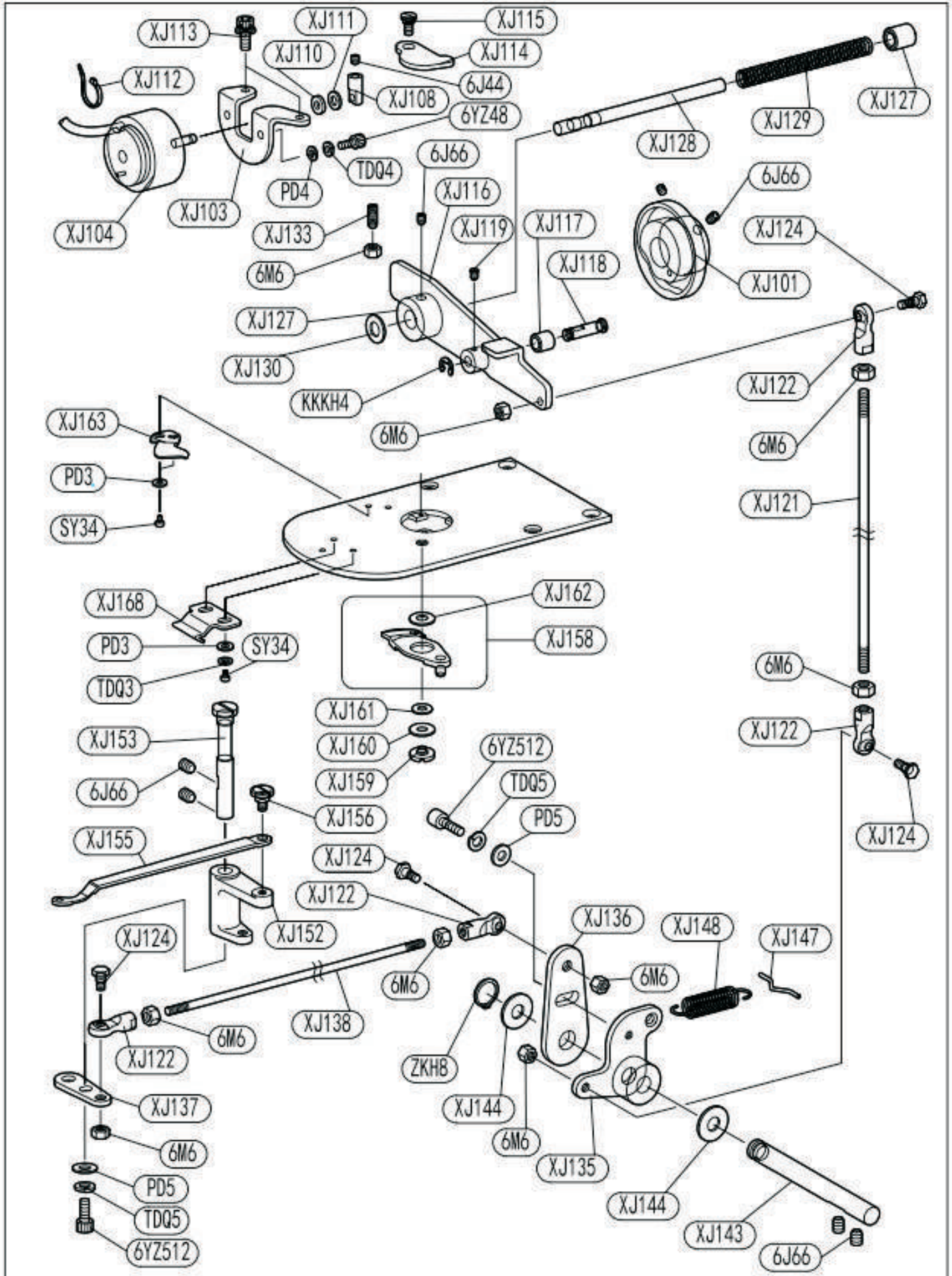
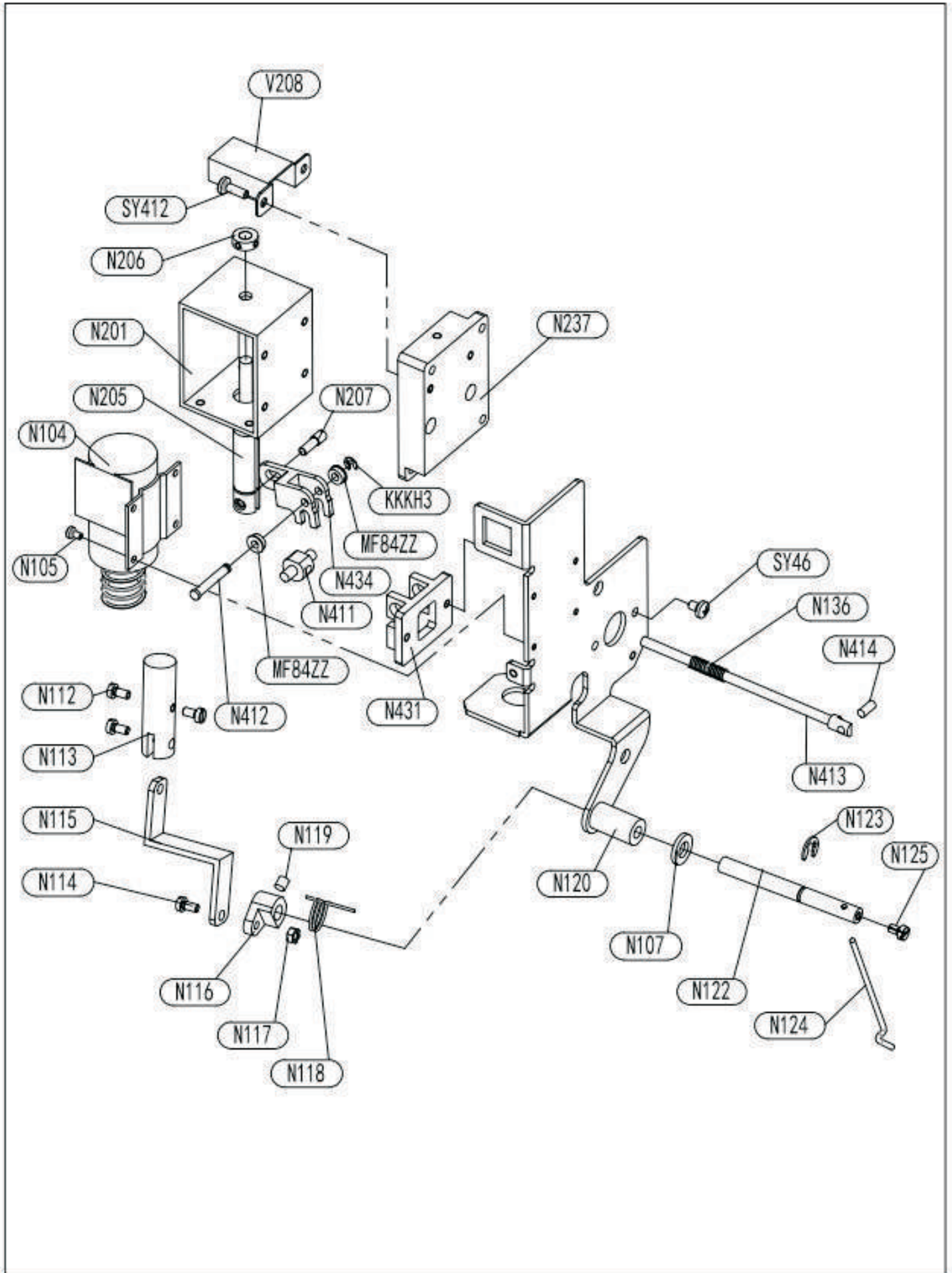


Fig.(No)	Description	Ame Red
6J44	Screw M4*4	1
6J66	Screw M6*6	8
6M6	Nut M6	9
6YZ48	Socket bolt M4*8	1
6YZ512	Socket bolt M5*12	2
KKK4	Retaining ring E4	1
PD3	Washer 3	2
PD4	Washer 4	1
PD5	Washer 5	2
SY34	Screw M3*4	2
TDQ4	Washer 4	1
TDQ5	Washer 5	2
XJ101	Thread trimmer cam	1
XJ103	Setting plate solenoid	1
XJ104	Thread trimmer solenoid	1
XJ108	Solenoid lever	1
XJ110	Solenoid cushion	1
XJ111	Washer	1
XJ112	Band 1M	1
XJ113	Bolt socket(s/p washer)M5*10	2
XJ114	Pushing Lever D-LEVER	1
XJ115	Shoulder screw, 7-3	1
XJ116	Tr-driving lever	1
XJ117	Collar ,tr-trimmer	1
XJ118	Collar shaft	1
XJ119	Set screw M4*5	1
XJ121	Thread trimmer rod V	1
XJ122	Ball joint assy	4
XJ124	Shoulder screw B M6	4
XJ127	Bush, 8*15	2
XJ128	Guide shaft	1
XJ129	Spring, compression	1
XJ130	Cushion	1
XJ133	Set screw, M6*19	1
XJ135	Thread trimmer lever V	1
XJ136	Thread trimmer lever H	1
XJ137	Moving knife lever	1
XJ138	Thread trimmer rod H	1
XJ143	Shaft tr-trimmer lever	1
XJ144	spacer	2
XJ147	Spring hook	1
XJ148	Spring extension	1
XJ152	Moving knife lever	1
XJ153	Shaft moving knife lever	1
XJ155	M-knife connecting plate	1
XJ156	Shoulder screw, 6-1.8	1
XJ158	Movable knife set F	1
XJ159	Movable knife shoulder screw	1
XJ160	Thrust washer	1
XJ161	Movable knife collar	1
XJ162	M-knife spacer	1
XJ163	Fixed knife FL	1
XJ168	Shuttle race cover hook U	1
ZKH8	Retaining ring external C8	1



Fig(No)	Description	Ame Red
MF84ZZ	Ball bearing	2
N104	Wiper solenoid assy	1
N105	Screw M3*5	4
N107	Washer 6	2
N112	Screw 9/64 (40) * 4	3
N113	Connector	1
N114	Screw 9/64 (40) * 9	1
N115	Thread wiper connecting rod	1
N116	Wiperadapter	1
N117	Nut 9/64 (40)	1
N118	Spring	1
N119	Screw 9/64 (40) * 6	2
N120	Wiper setting plate	1
N122	Wiper shaft	1
N123	E-type retaining ring 5	1
N124	Wiper	1
N125	Screw 1/8 (44) *6	1
N135	E-type retaining ring 3	1
N136	Spring	1
N201	Solenoid assy	1
N205	Solenoid assy	1
N206	Set collar	1
N207	Pin	1
N237	Fixing plate	1
N411	Shaft	1
N412	PIN	1
N413	Pin	1
N414	Pin	1
N431	Bearing seat	1
N434	Connecting piece	1
SY412	Socket bolt M4*12	1
SY46	Socket bolt M4*6	1
V208	Cover	1

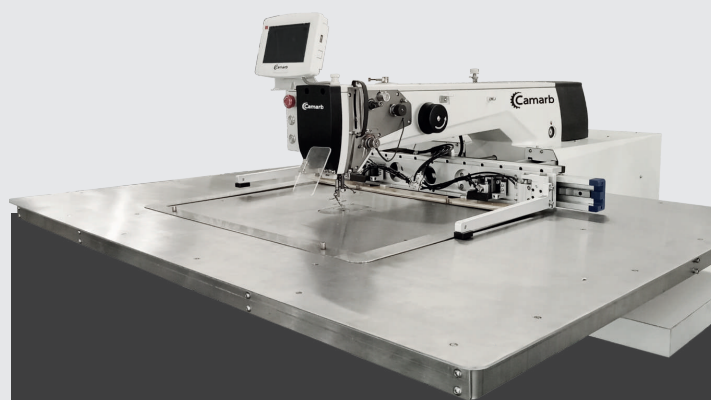
CATALOGO RICAMBI

SPARE PARTS LIST

LISTE DES PIE'CES

CATALOG PIESE DE SCHIMB

N 6 0 0 - 4 0 0



Vers.10-2022



Via Alpi, 149-151-153
Zona Ind. Villa Luciani
63812 Montegranaro (FM) Italy
Phone: +39.0734.890103 - 890912

www.bramac.it
bramac@bramac.it