

Camarb *professional sewing machines*

CATALOGO RICAMBI

SPARE PARTS LIST

LISTE DES PIÈCES

CATALOG PIESE DE SCHIMB

N21-ALL-IN-ONE-V2

N21-ALL-IN-ONE-V2/S

N22-ALL-IN-ONE-V2

N22-ALL-IN-ONE-V2/S

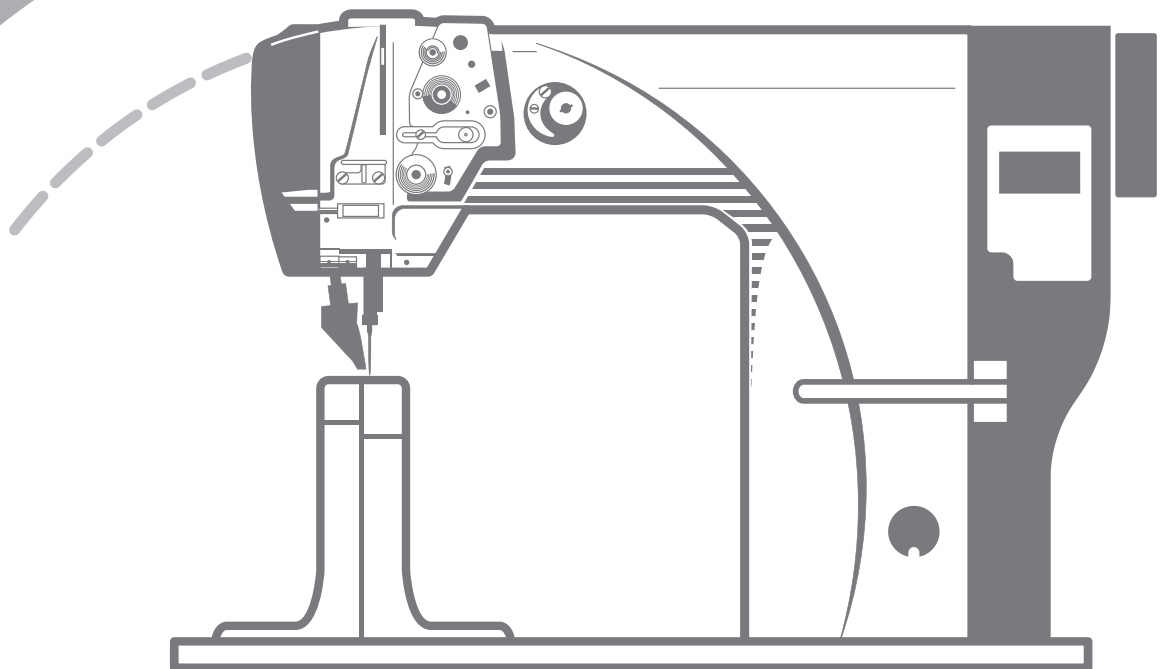
N21-N-ALL-IN-ONE-V2

N21-N-ALL-IN-ONE-V2/S

N22-N-ALL-IN-ONE-V2

N22-N-ALL-IN-ONE-V2/S

www.bramac.it



Vers.2 09-2020

Indice - Index - Table - Indice

Pezzi della macchina

Machine parts

Pièces da la machine

Piese pentru mașina **Pag. 1 ... 26**

Pezzi soggetti ad usura

Wearing parts

Pices d'usure

Piese supuse uzurii **Pag. 27-27/2**

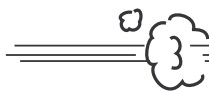
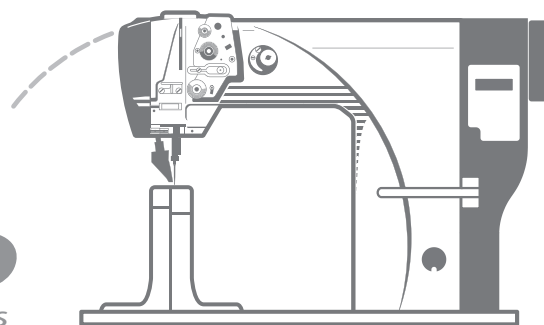
Lista codici

Code list

Liste de codes

Lista cu coduri **Pag. 28 ... 33**

 **Camarb**
professional sewing machines

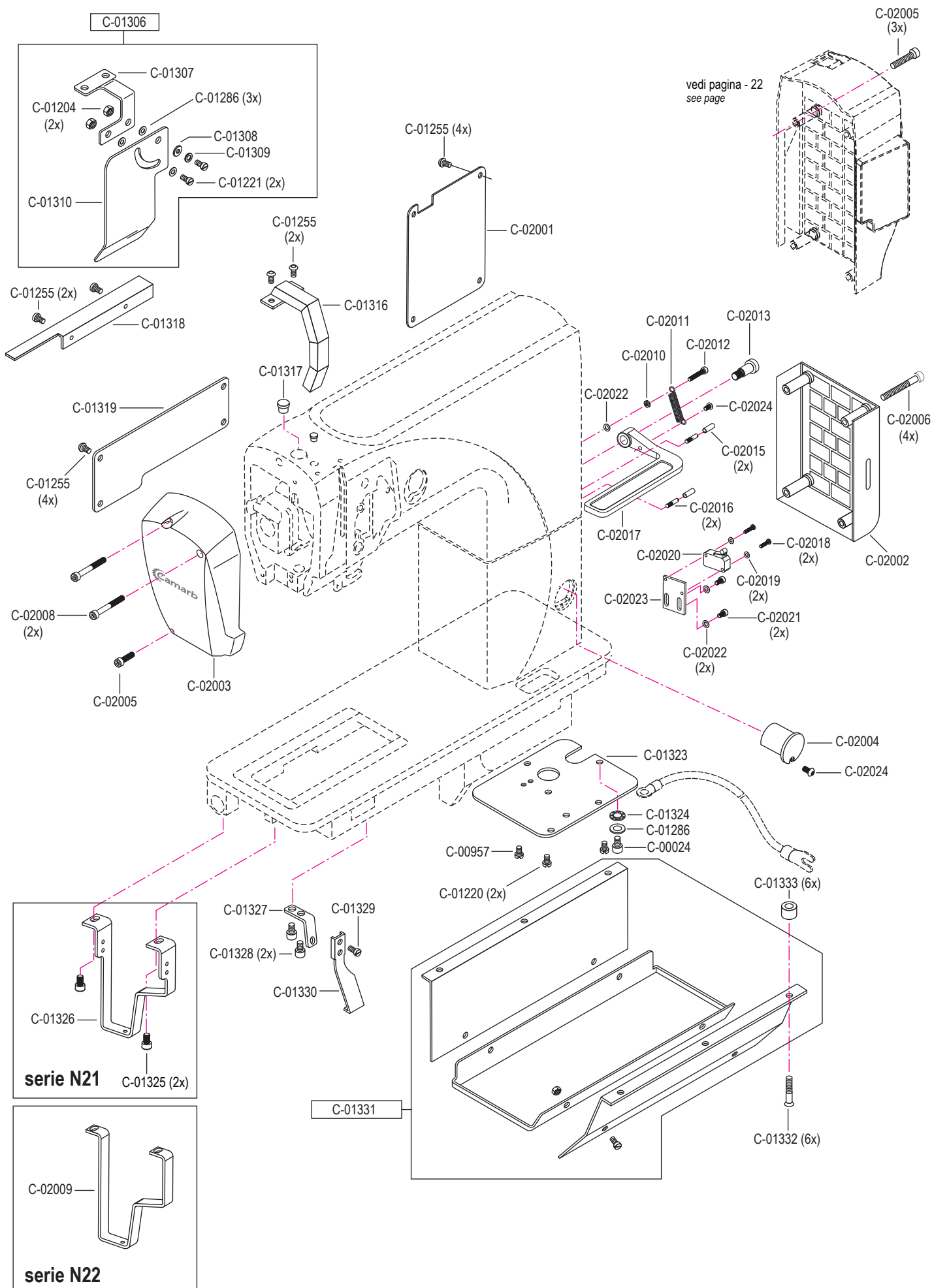


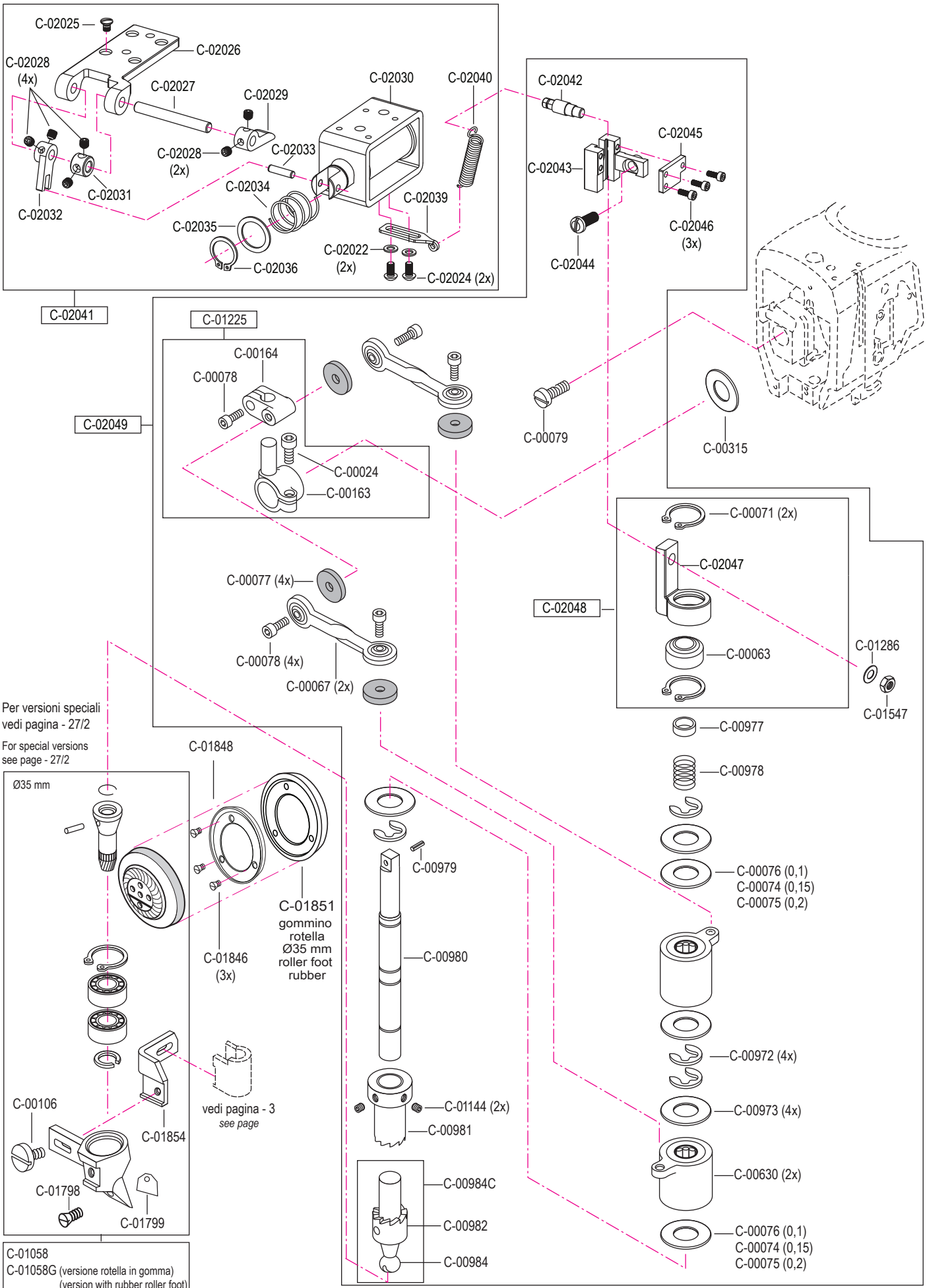
Per ordini urgenti

*For urgents orders
Pour des ordres urgents
Pe bazà de comandà urgentà*



Mail ricambi@bramac.it
Phone + 39.0734.890103
Fax + 39.0734.890154

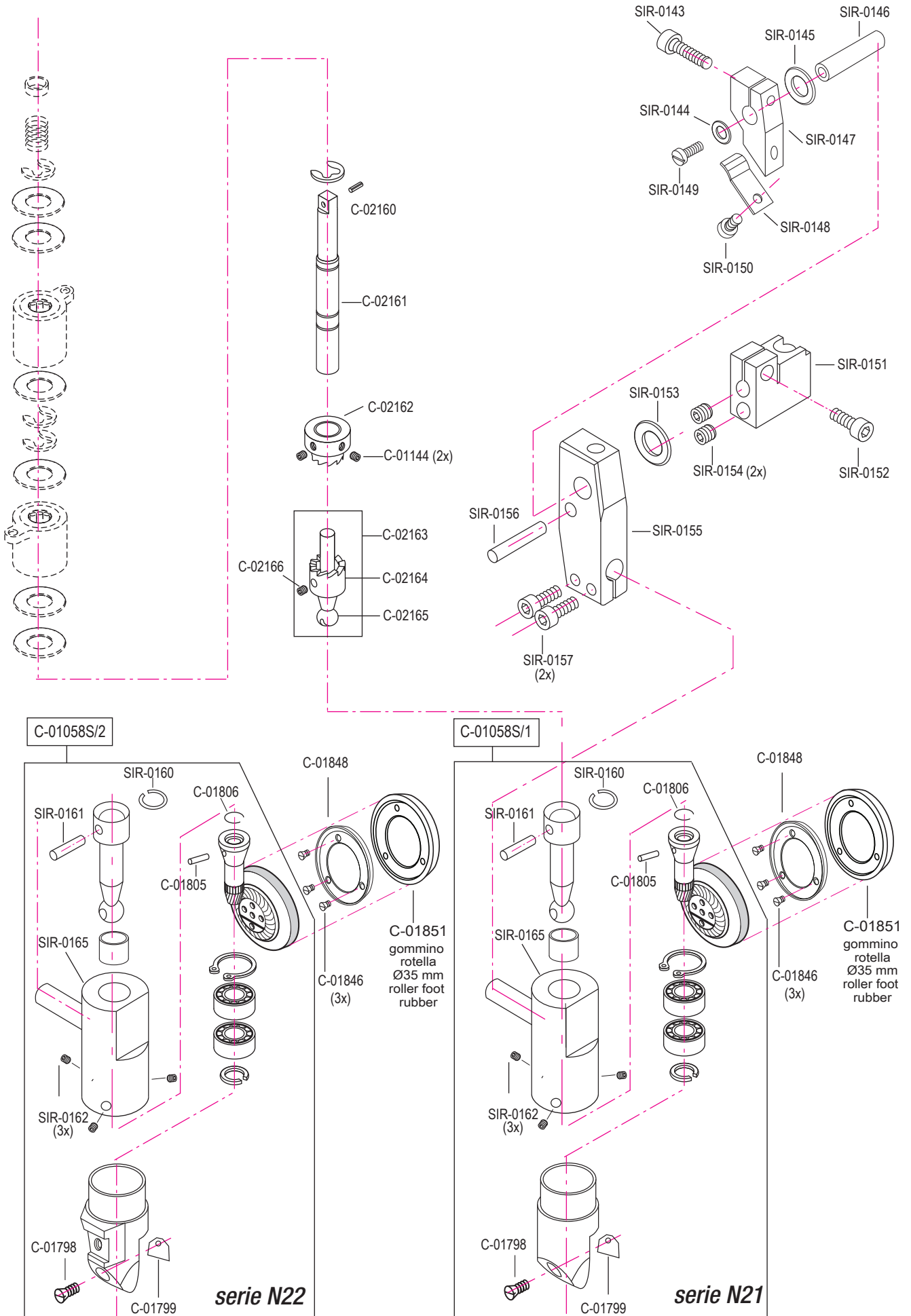


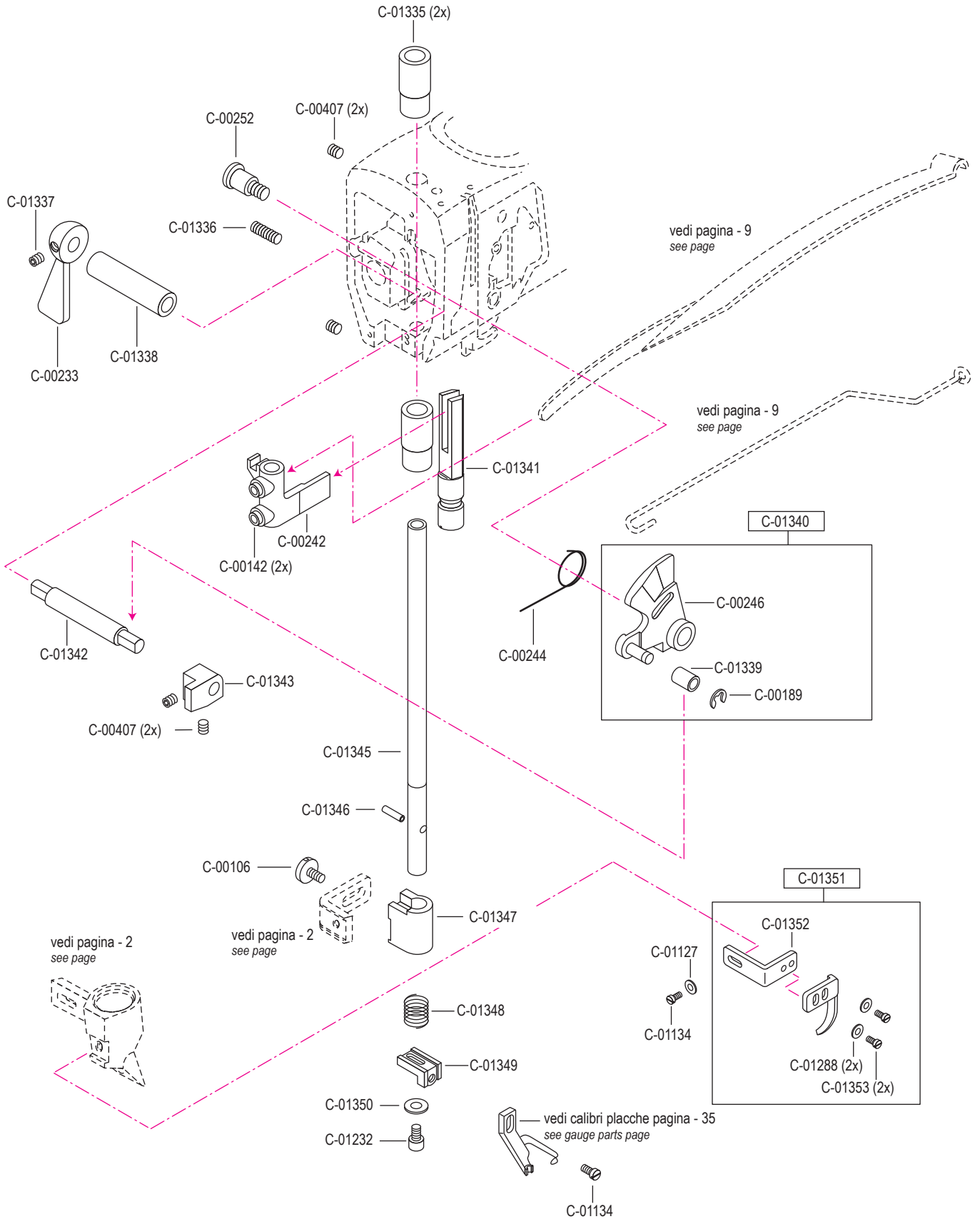


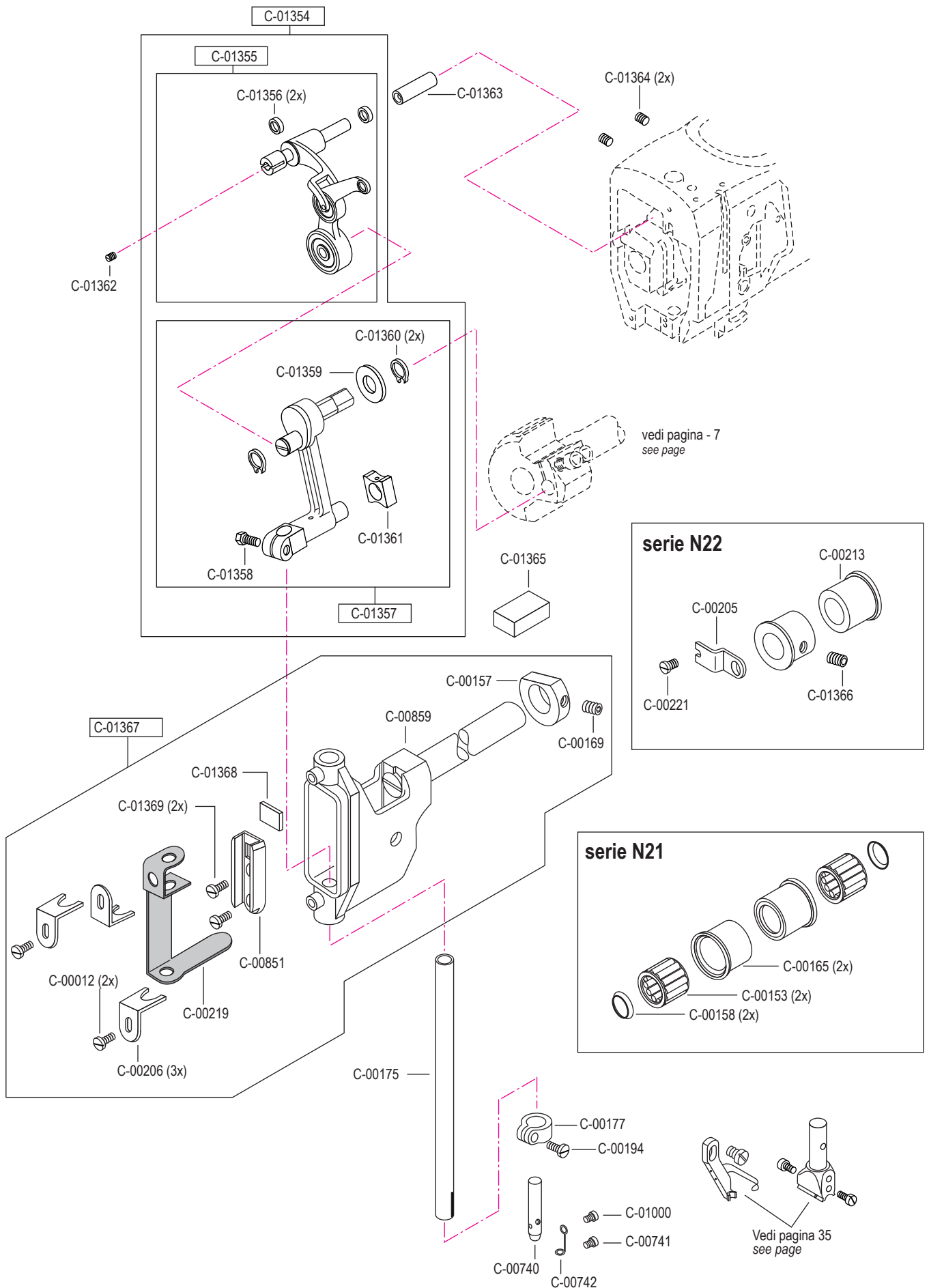
Per versioni speciali
vedi pagina - 27/2

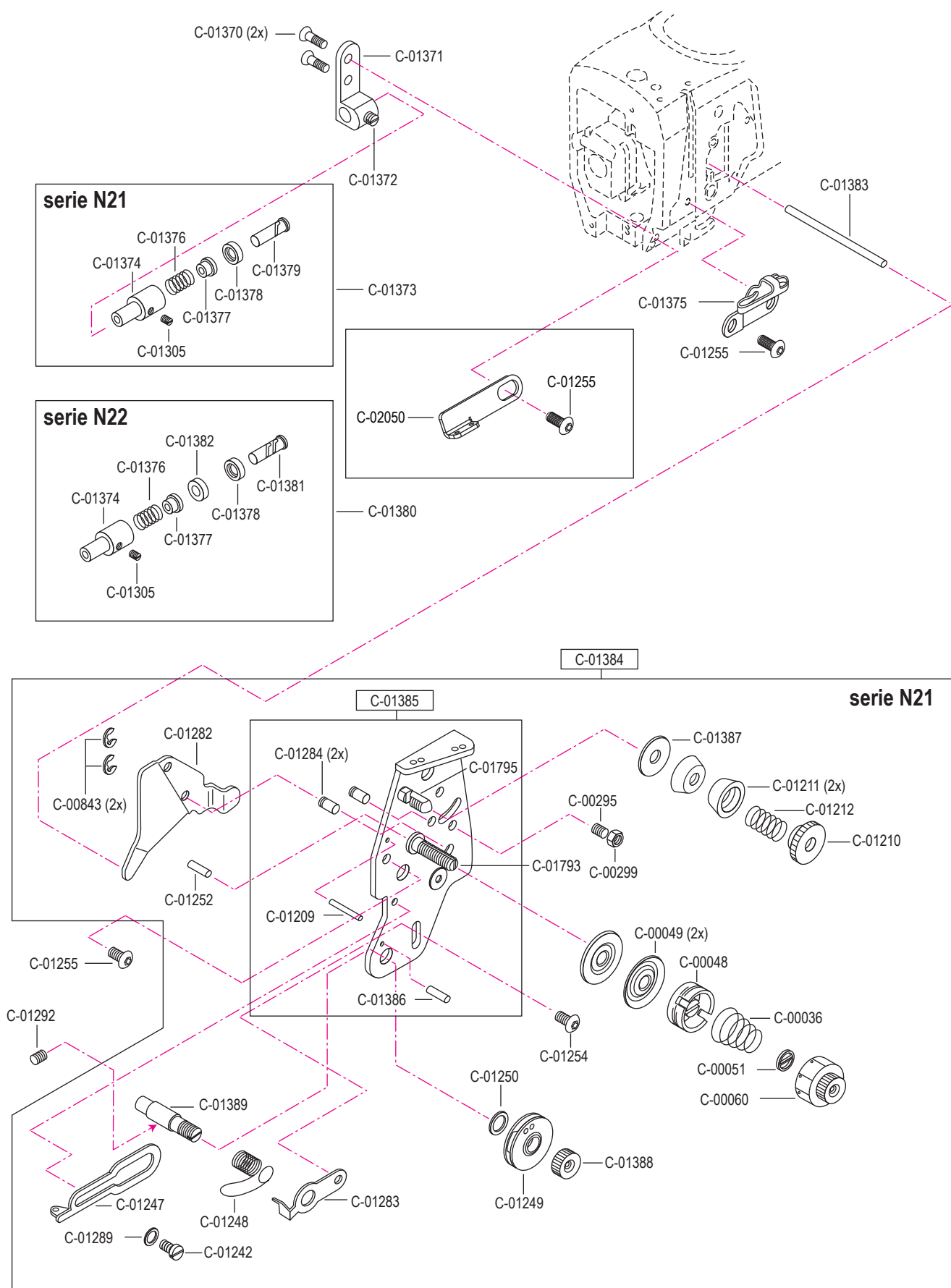
For special versions
see page - 27/2

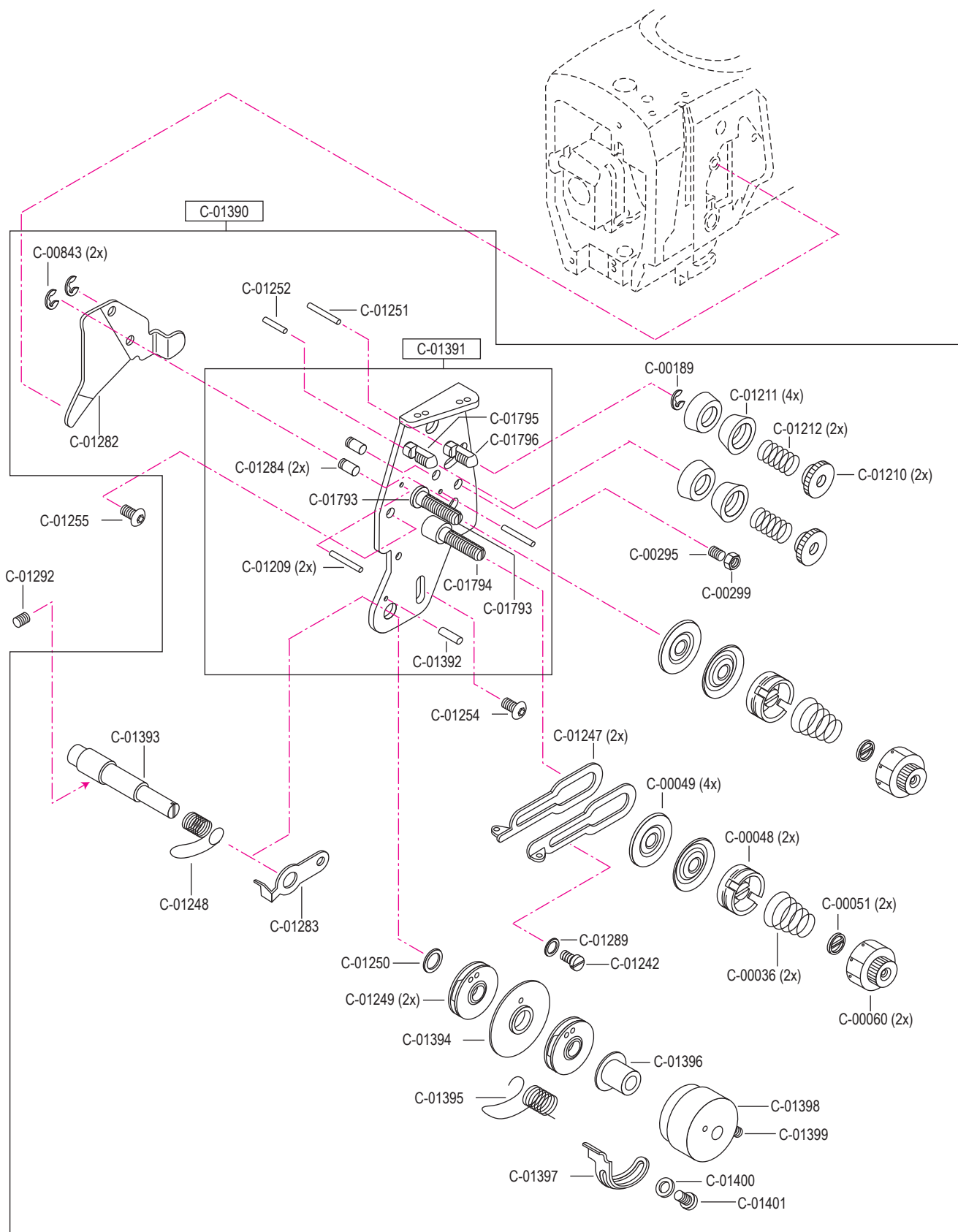
C-01058
C-01058G (versione rotella in gomma)
(version with rubber roller foot)

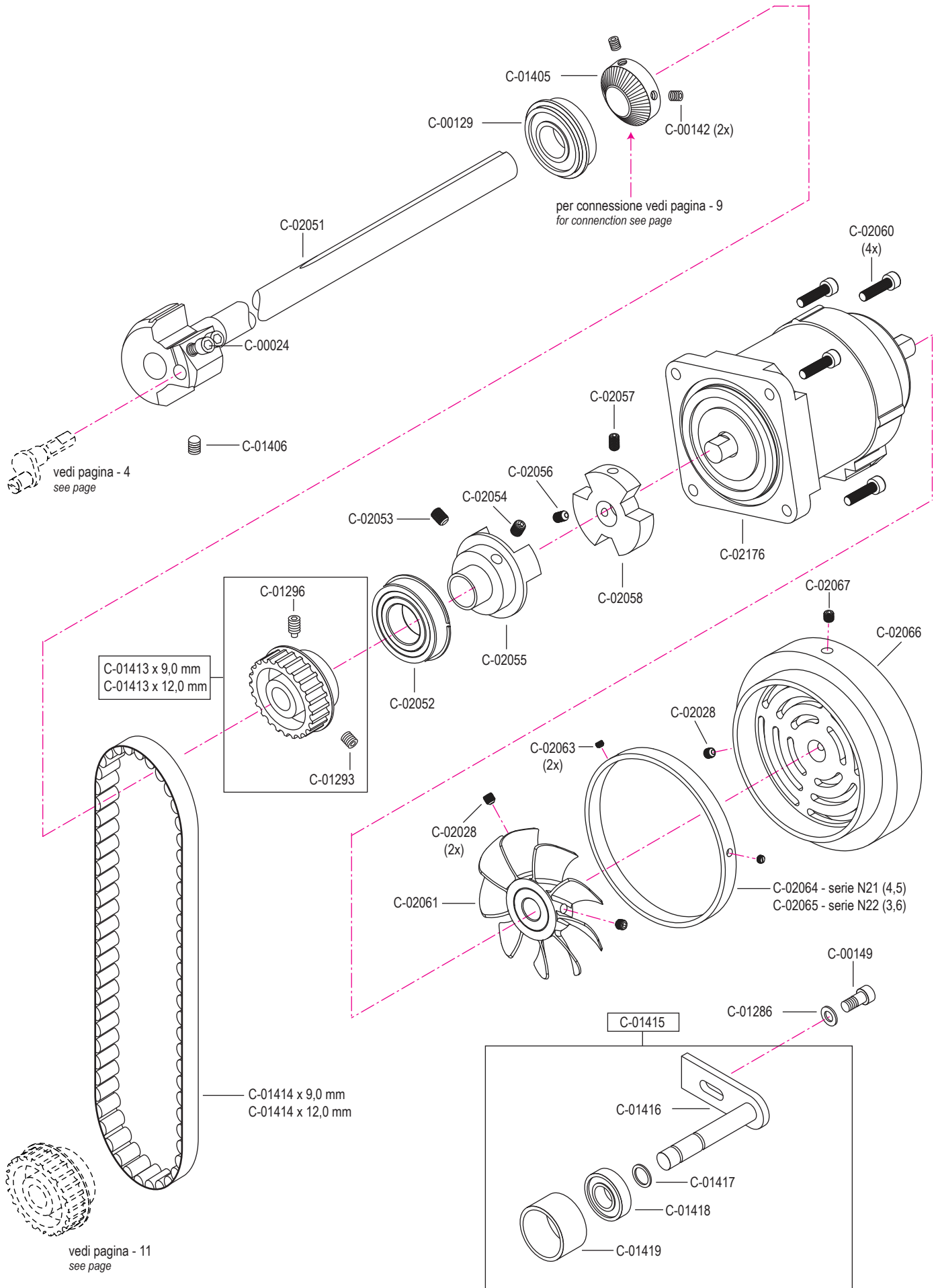


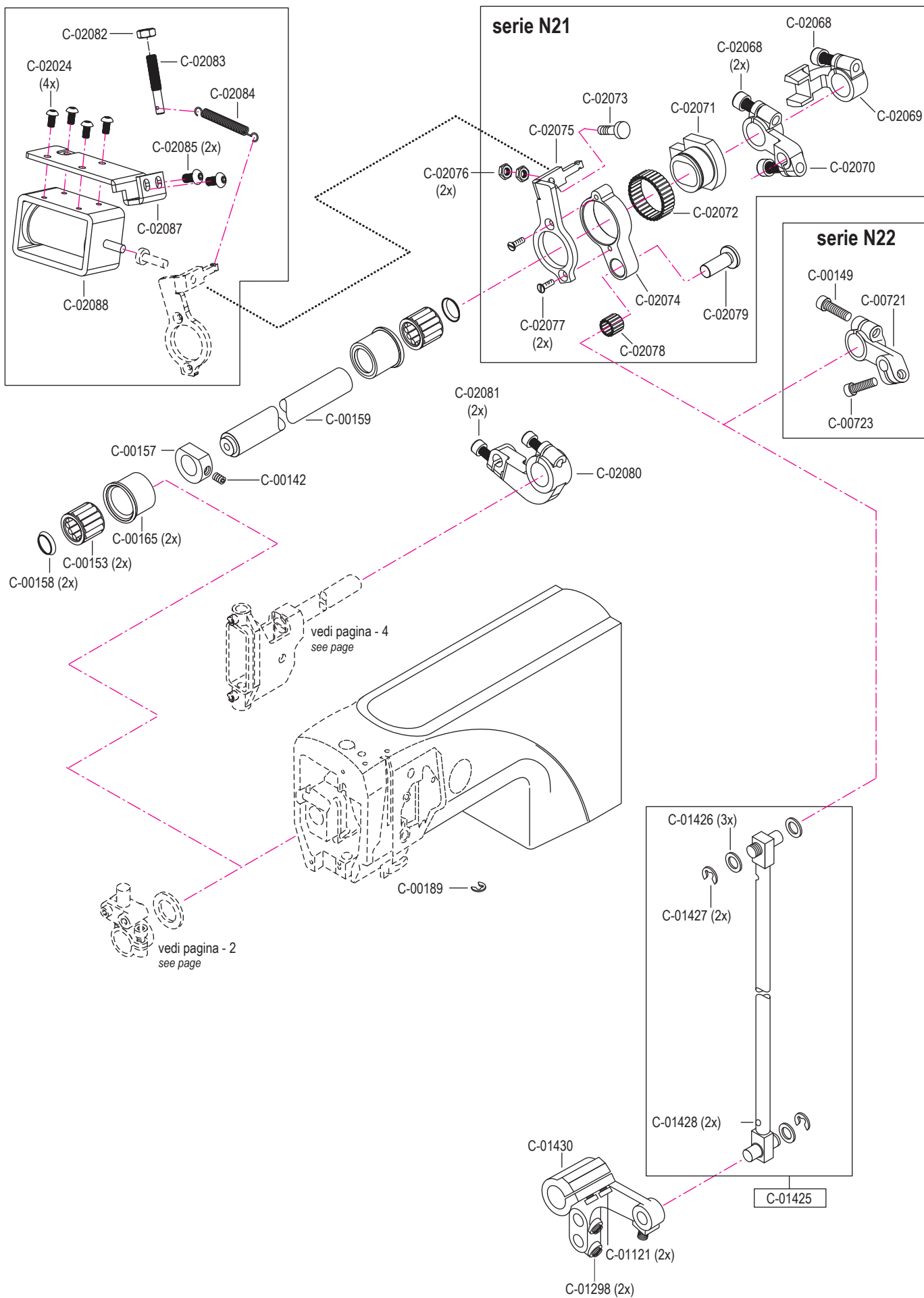


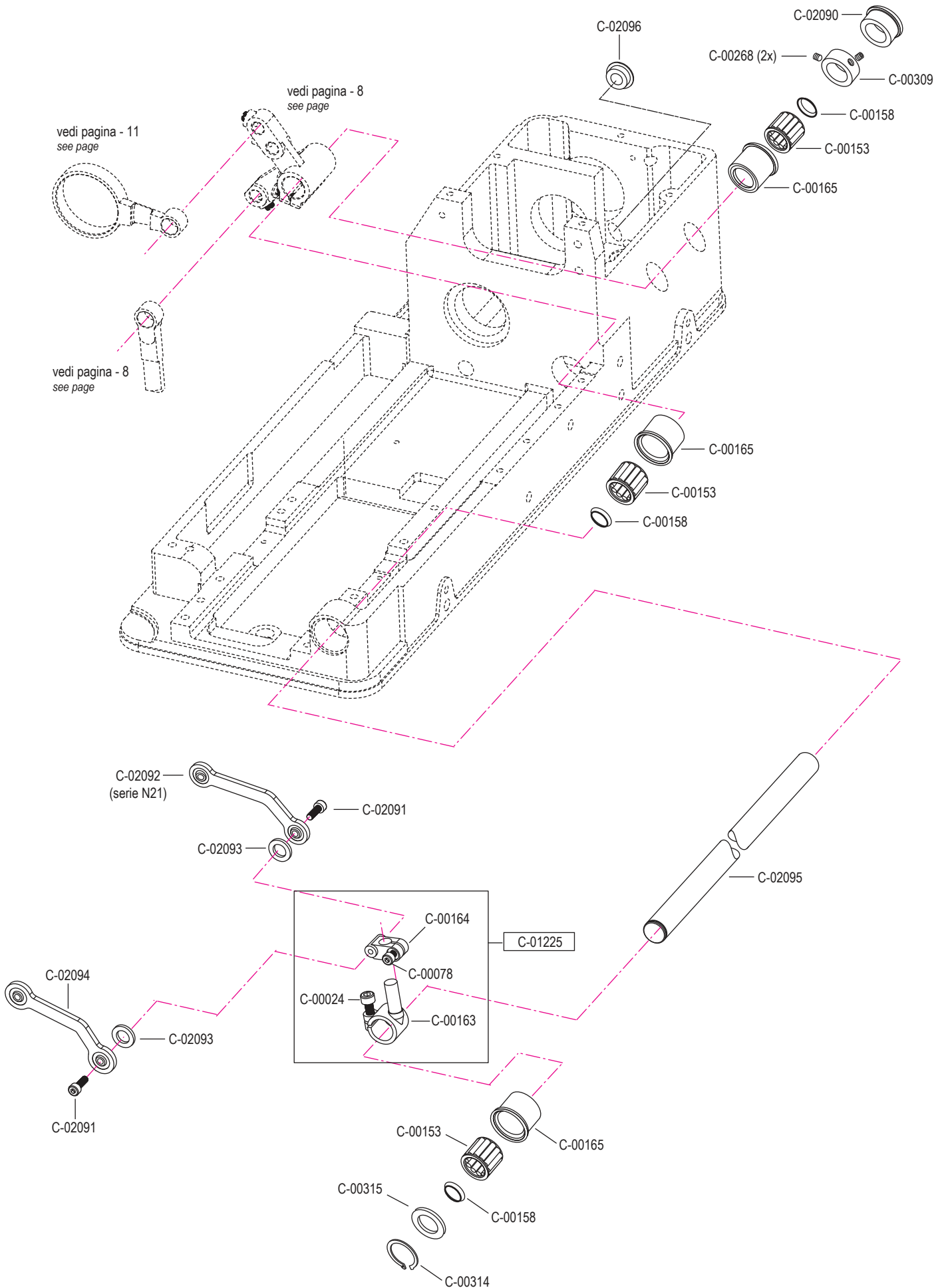


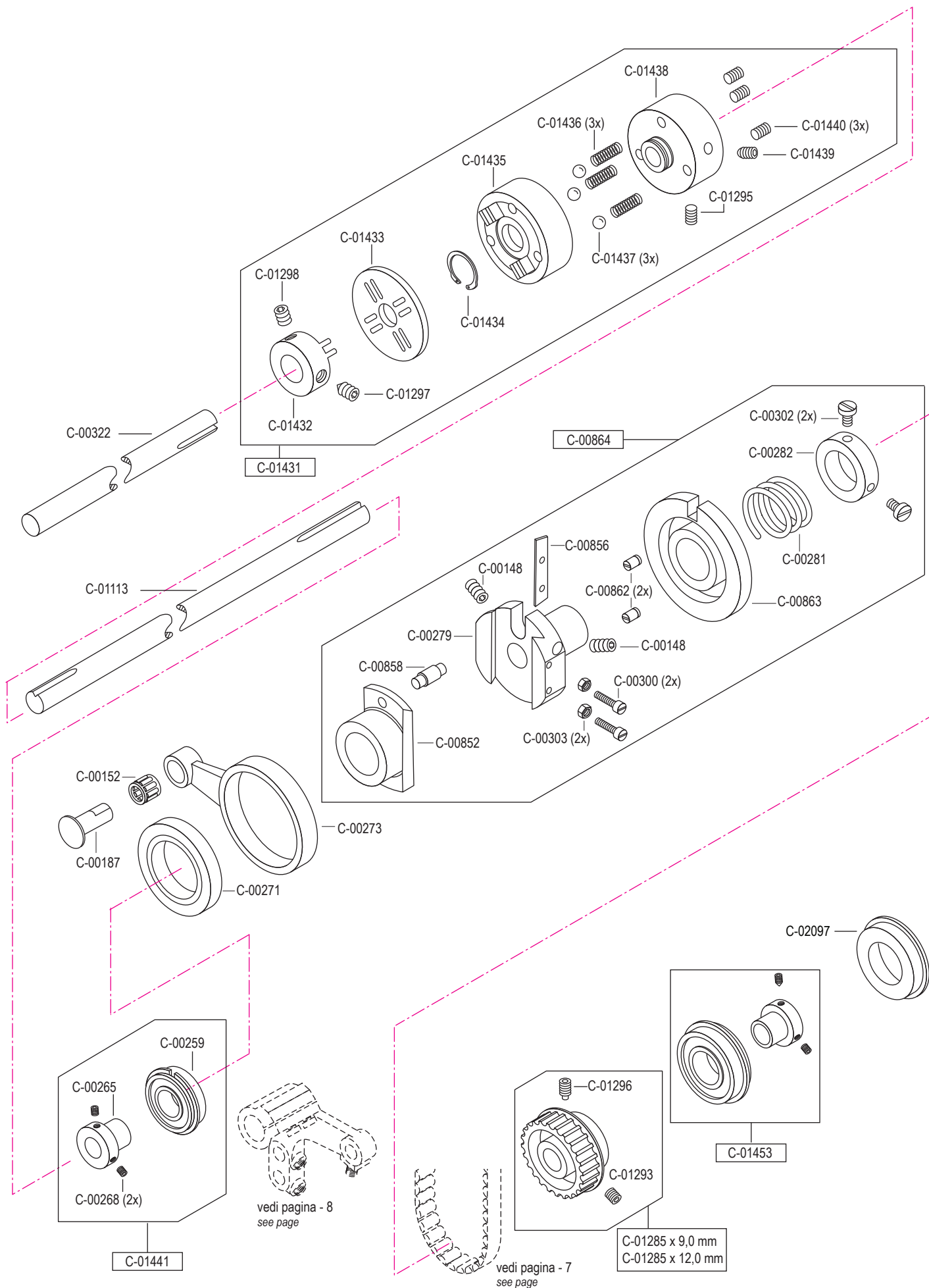


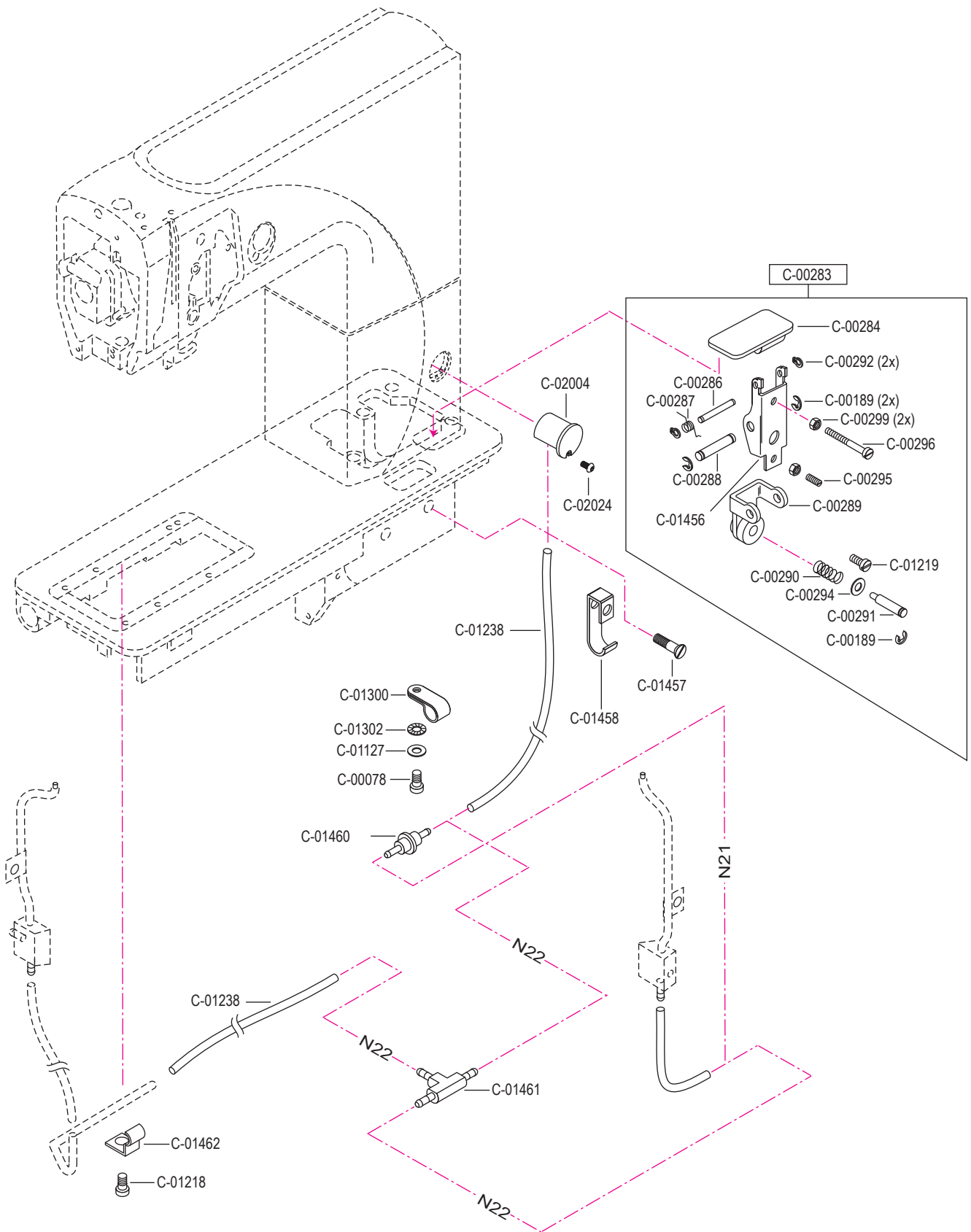


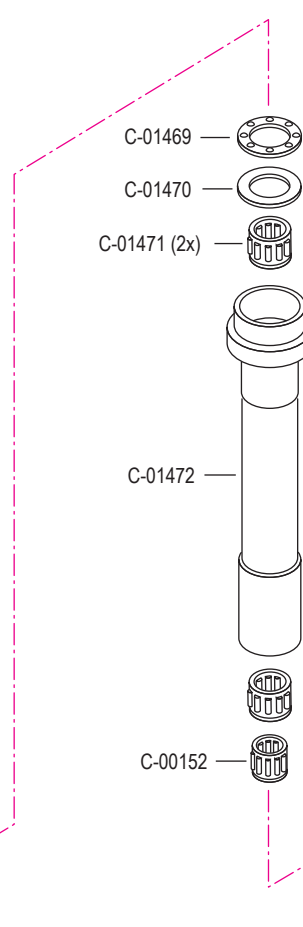
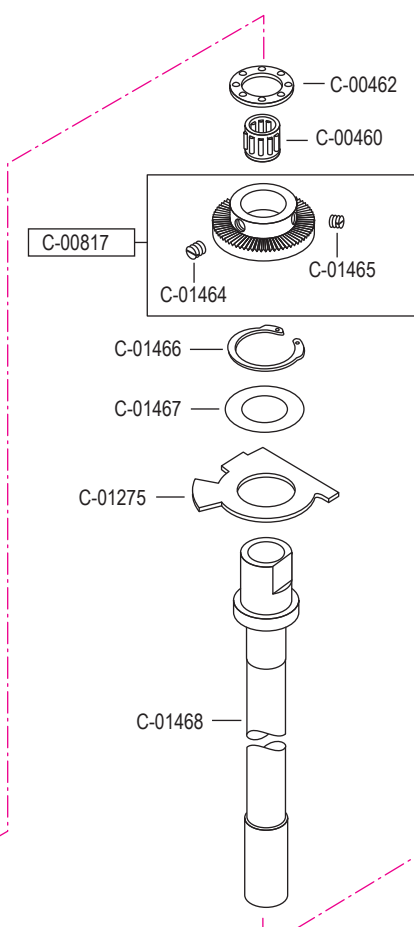
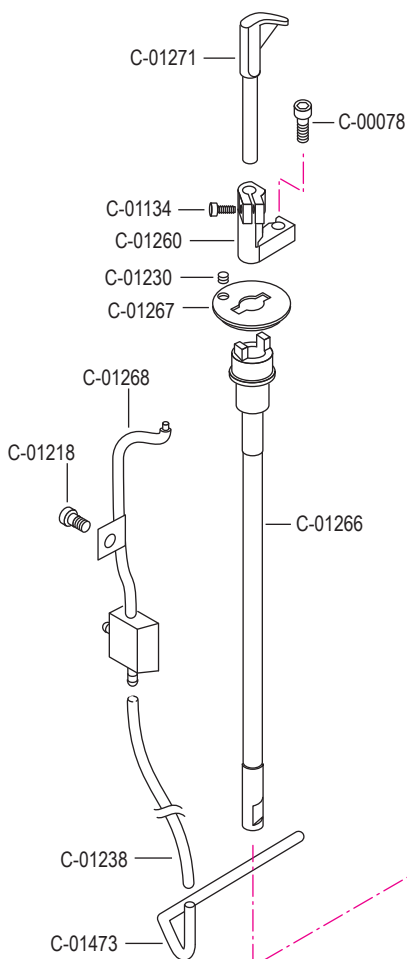
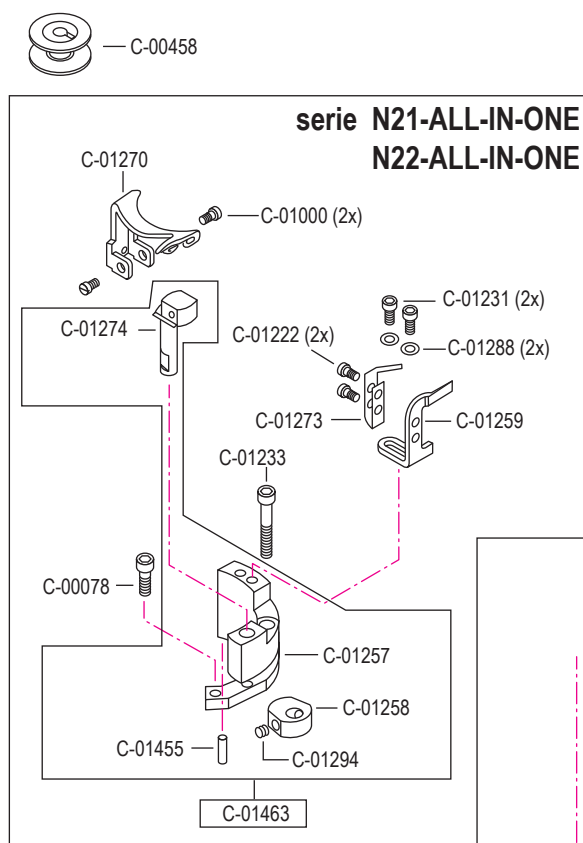
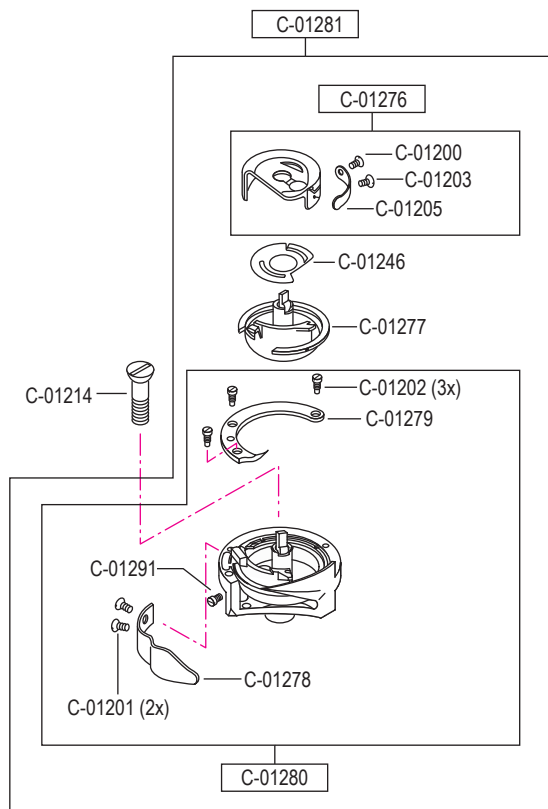


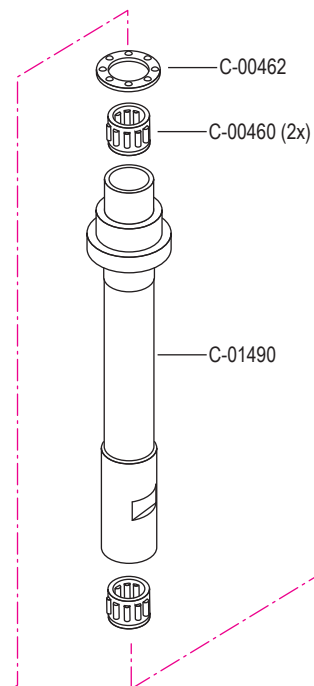
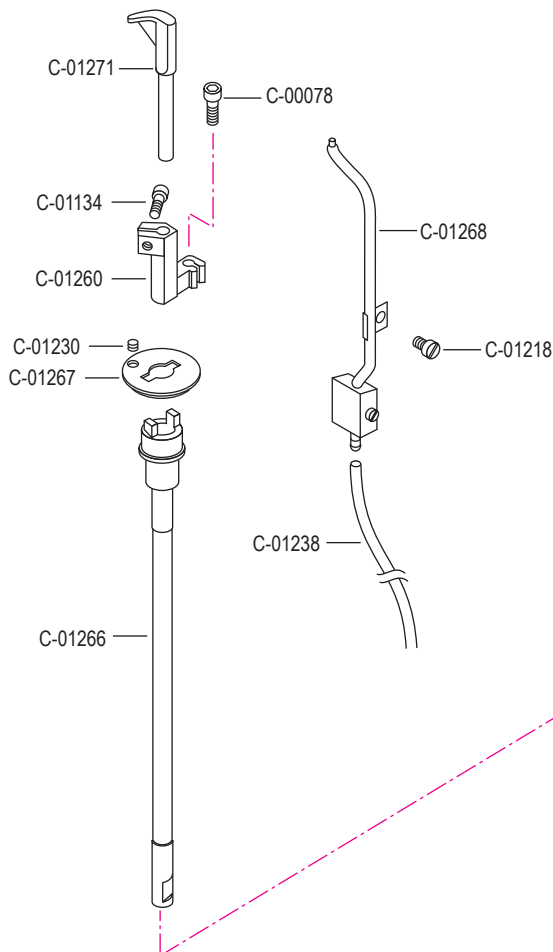
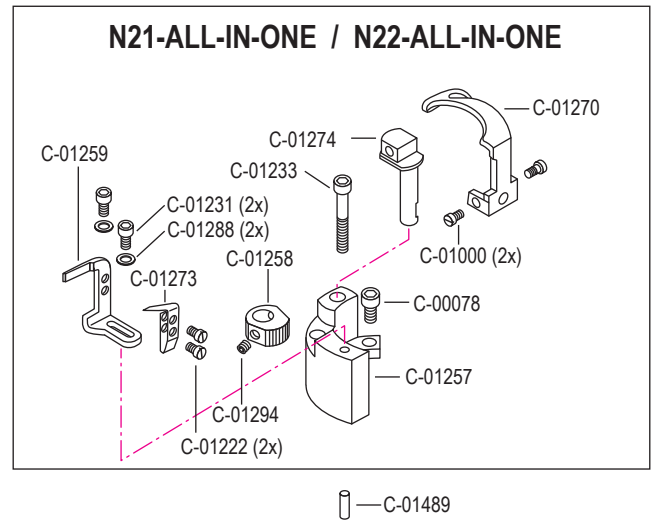
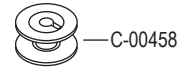
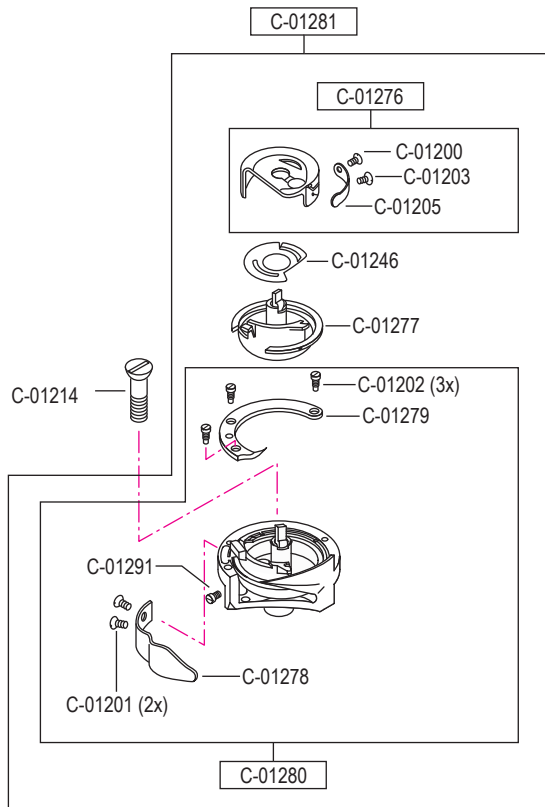






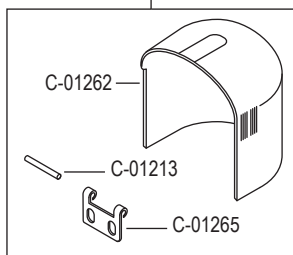






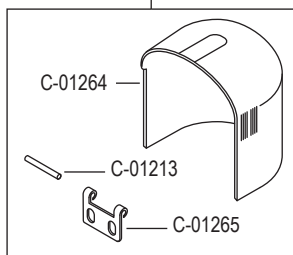
**N21-N-ALL-IN-ONE
N22-N-ALL-IN-ONE**

C-01261

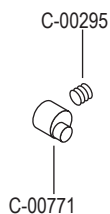
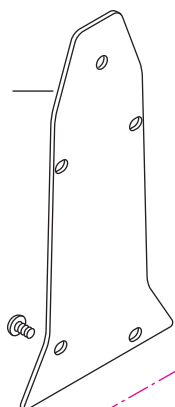


**N21-ALL-IN-ONE
N22-ALL-IN-ONE**

C-01263



C-01491 (2x - N21)
C-01492 (2x - N22)



C-01219 (2x)



C-01240

C-01245



C-01269

C-01243



C-01254
(8x - N21),
(10x - N22)

C-01237 (2x)

C-01634

C-01237 (2x)

C-01634

C-01237 (2x)

C-01634

C-01237 (2x)

C-01634

C-01237 (2x)

C-01634

C-01237 (2x)

C-01634

C-01237 (2x)

C-01634

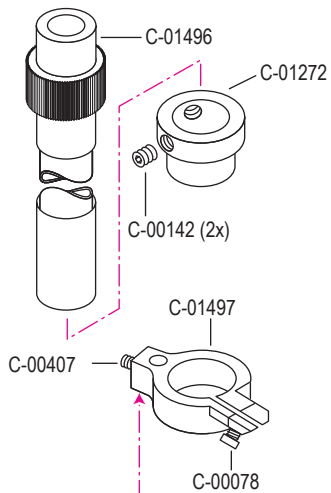
C-01237 (2x)

C-01634

C-01237 (2x)

C-01634

N21-ALL-IN-ONE / N22-ALL-IN-ONE



per connessione vedi pagina - 20
for connection see page

C-01495

C-01304

C-01223

C-01256 (2x)

C-01244 (2x)

C-01303 (2x)

C-01206

C-01223

C-01256 (2x)

C-01244 (2x)

C-01303 (2x)

C-01237 (2x)

C-01634

C-01237 (2x)

C-01634

C-00385 (2x)

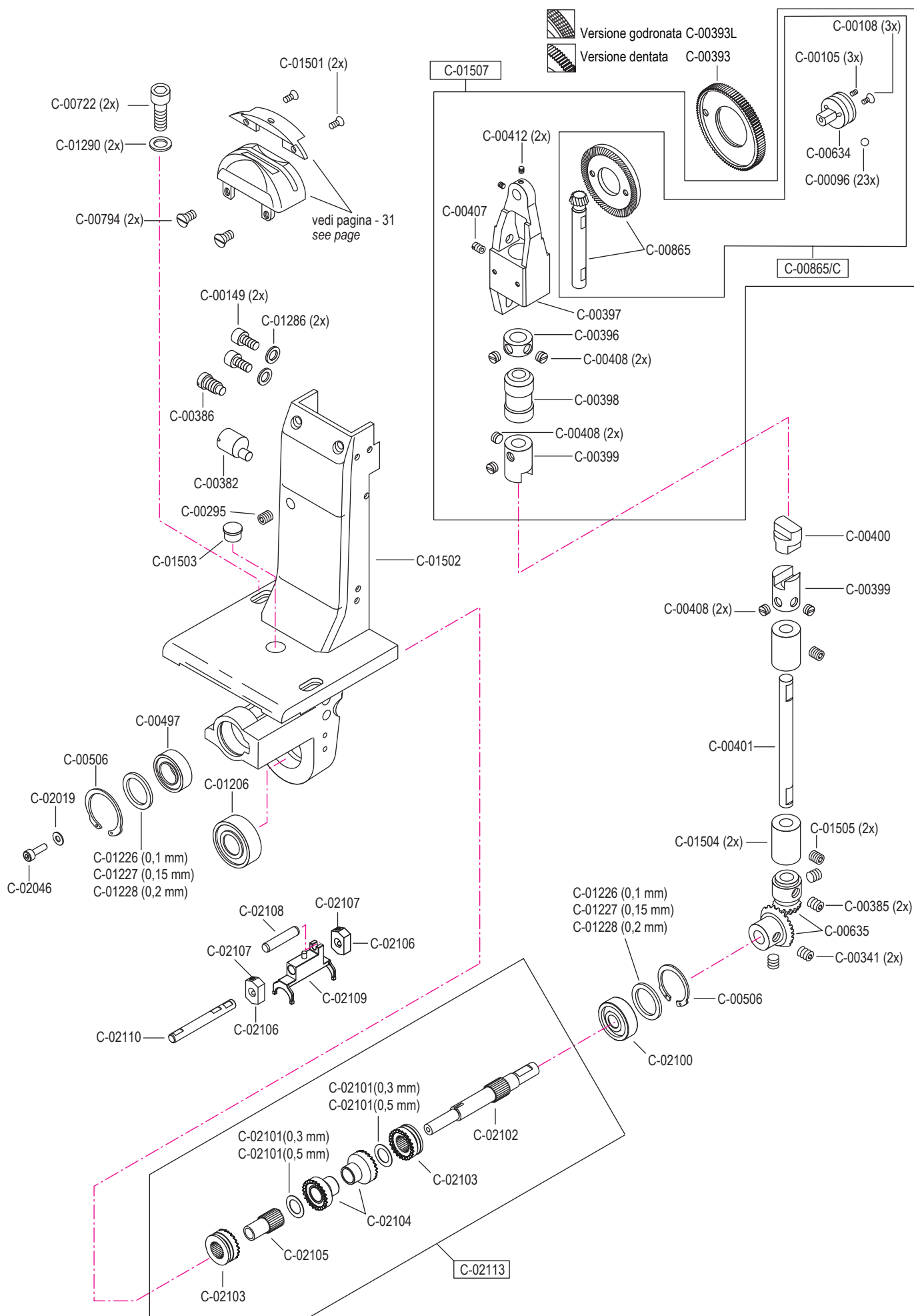
C-00341 (2x)

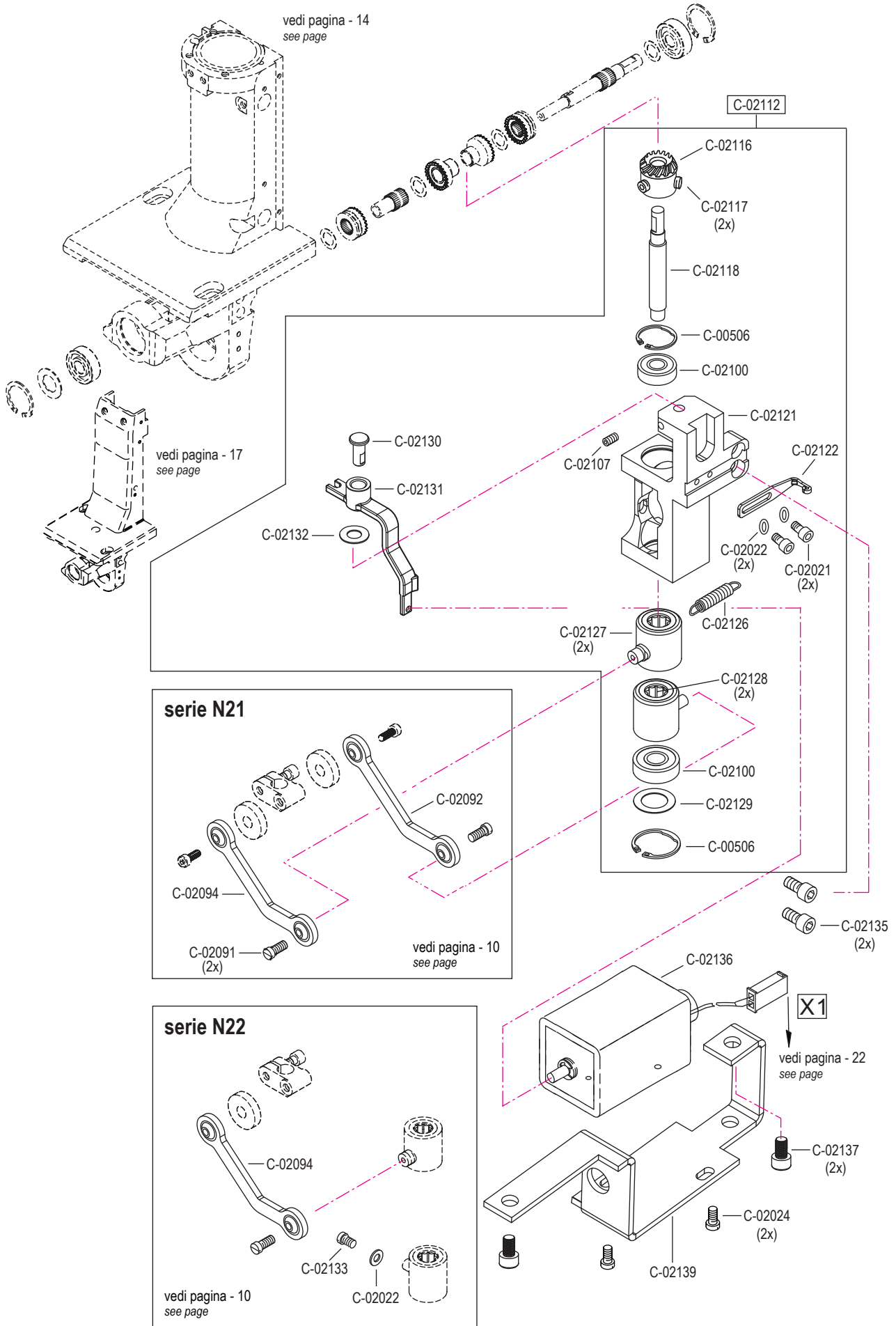
C-01237 (2x)

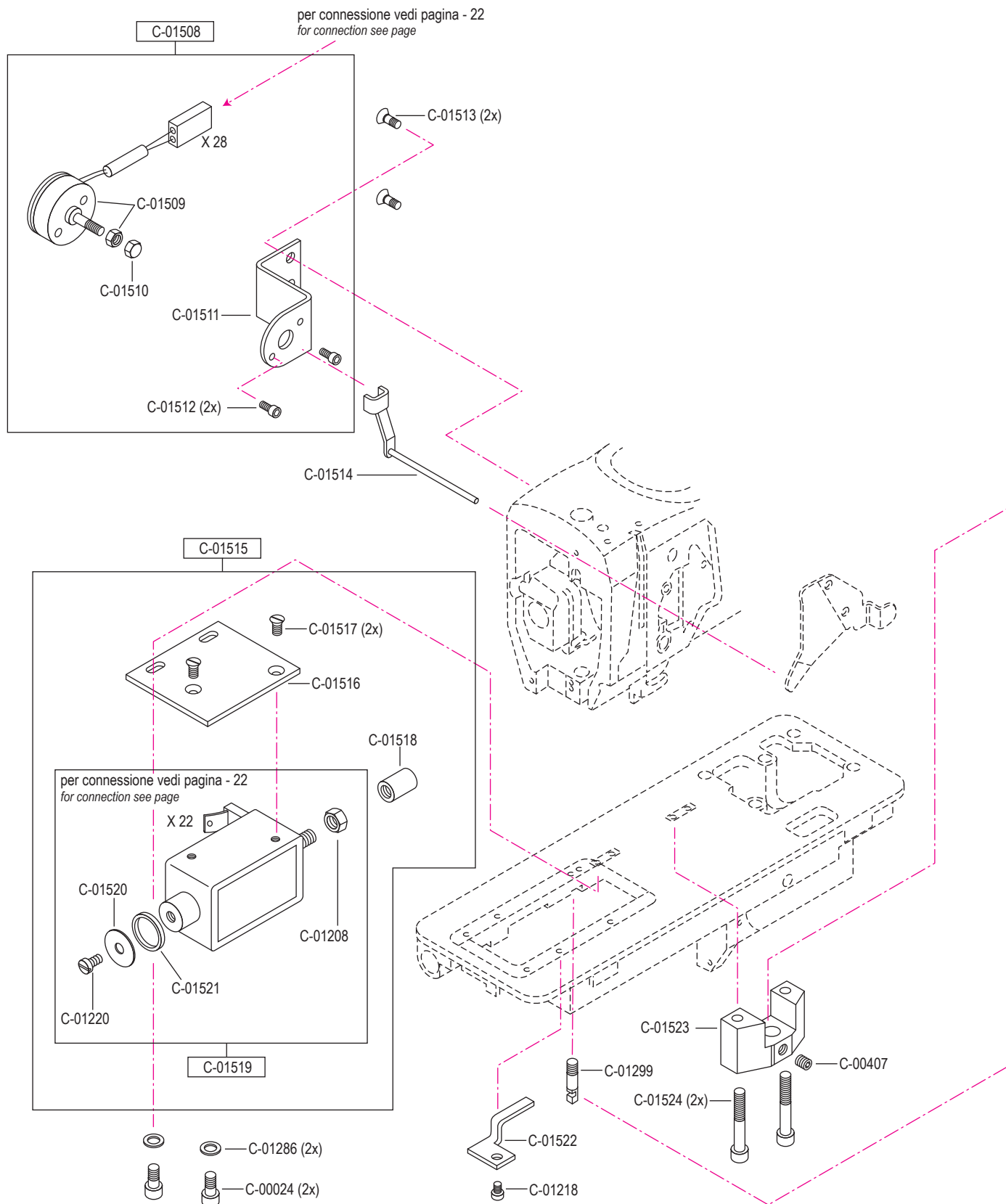
C-01634

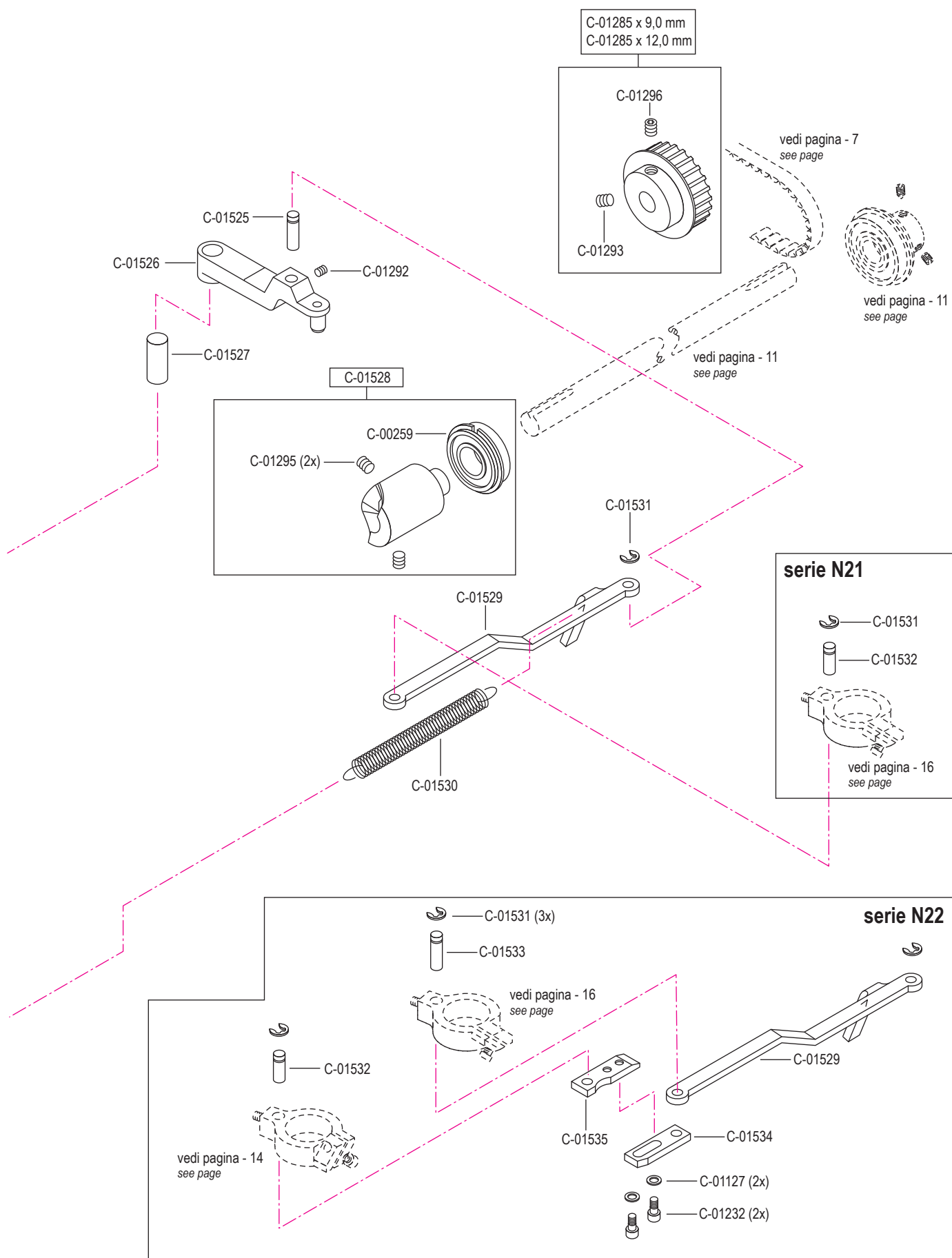
C-01237 (2x)

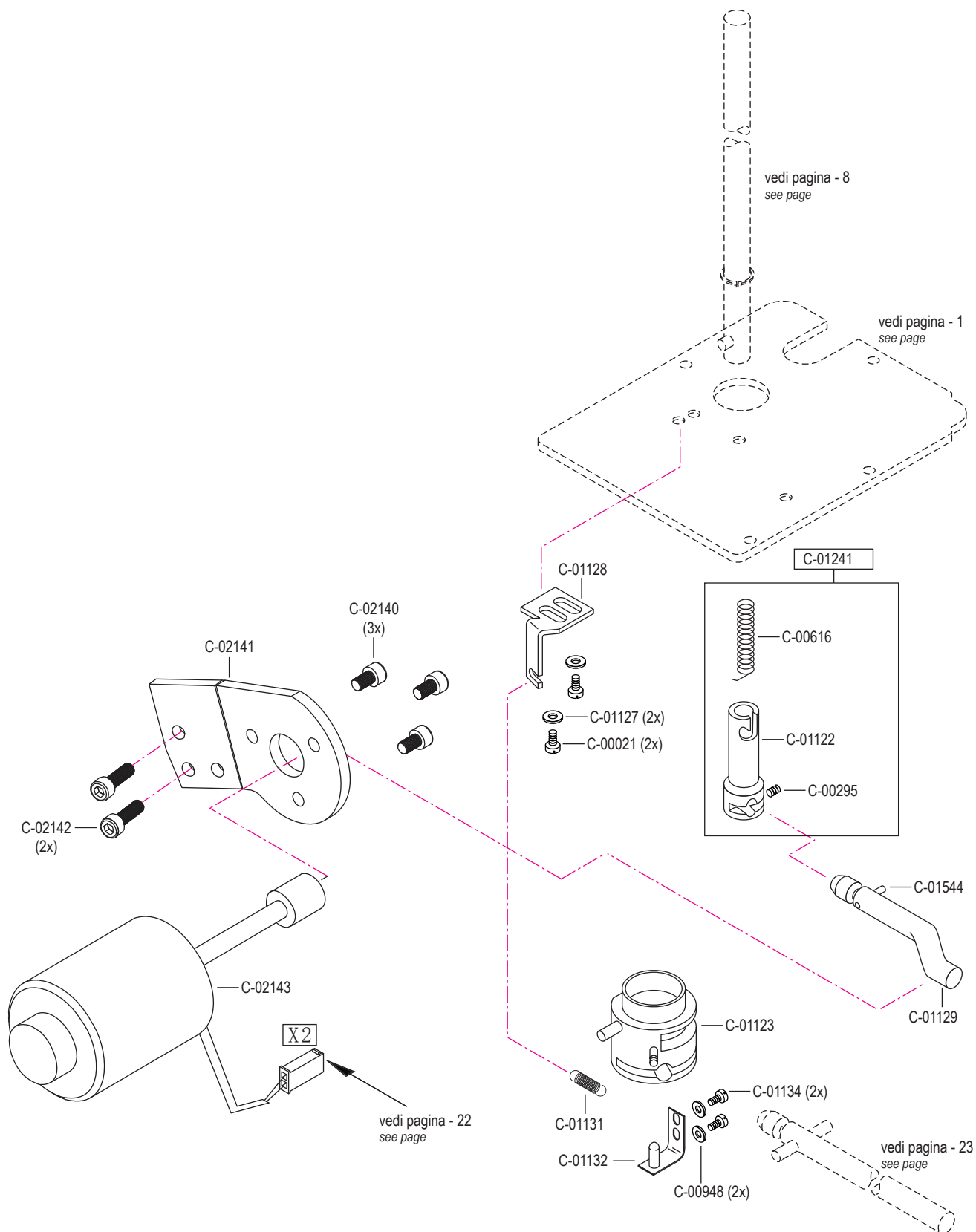
C-01634

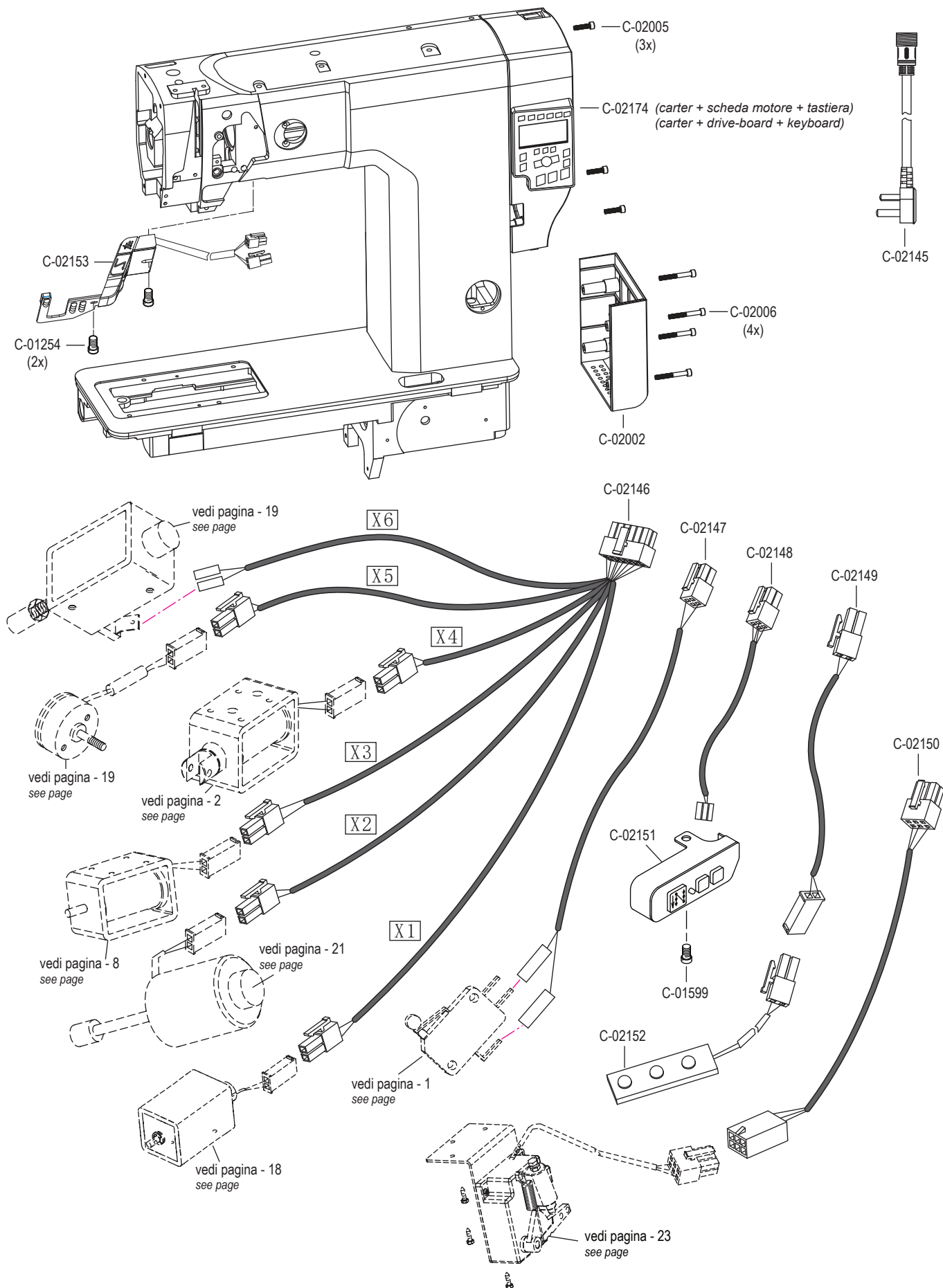


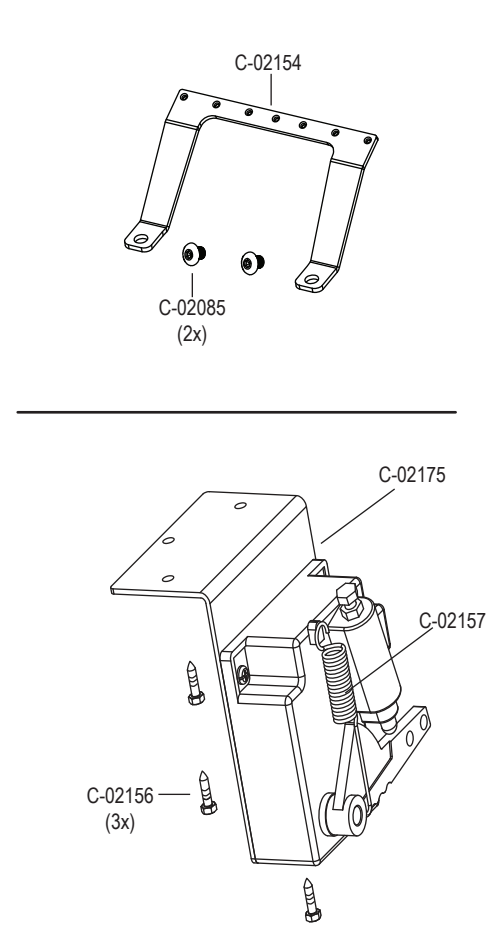
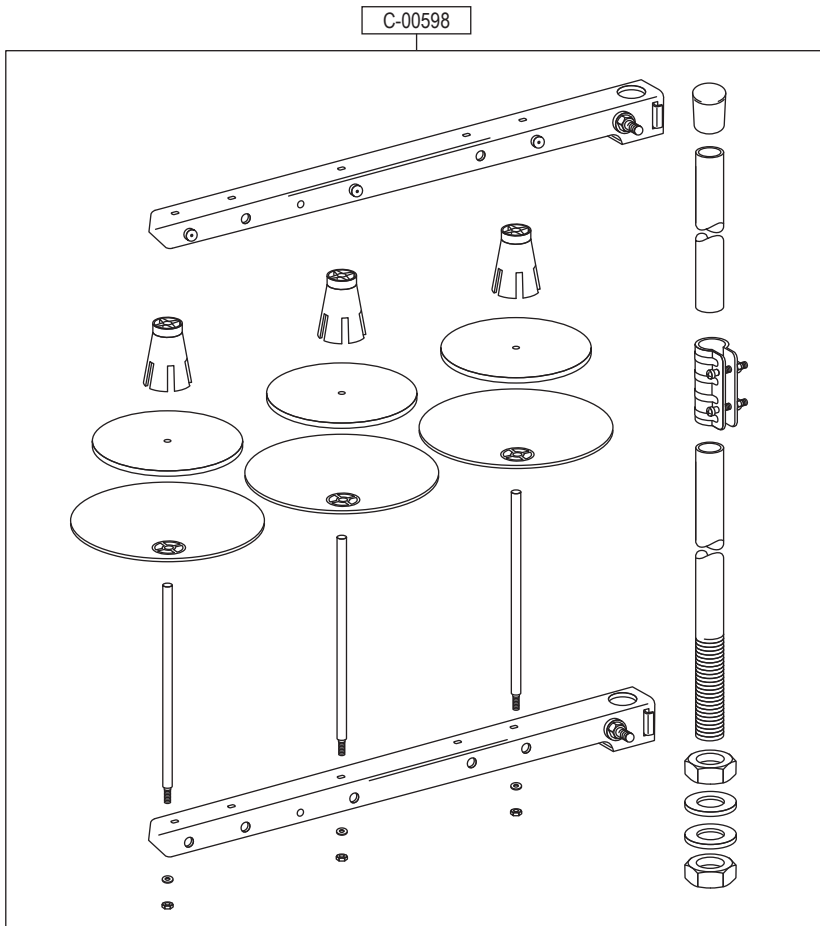




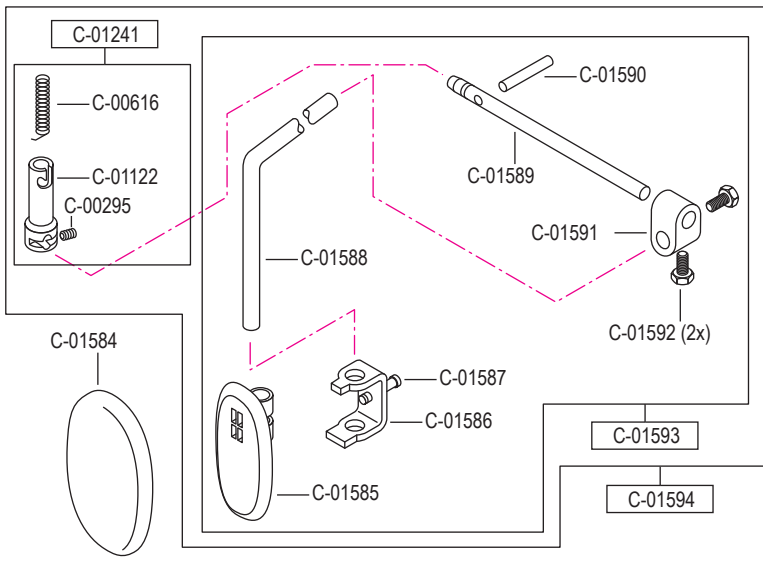




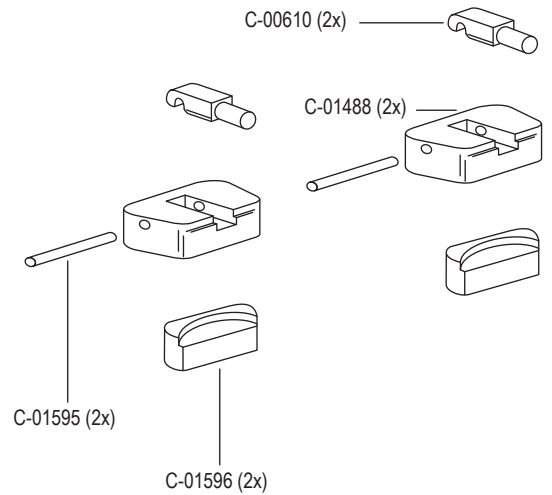




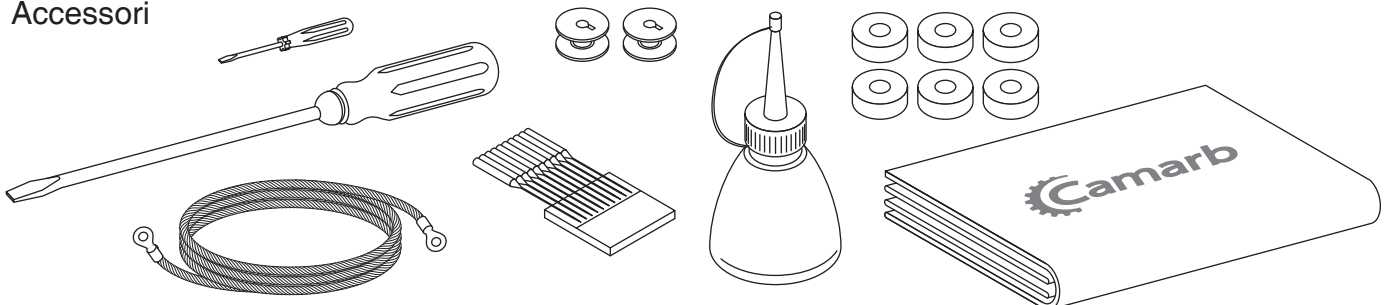
Gruppo alzapiedino



Parti del piano



Accessori



N22-N-ALL-IN-ONE N22-ALL-IN-ONE

Per cuciture elaborate e di assemblaggio su **materiali leggeri.**

For sewing fancy seams and assembly seams on **lightweight materials.**

pezzo part	codice code	dist. aghi placca needle plate size	dist. aghi morsetto needle holder size
1-2	C-00176		2,4
2	C-01614		
6	C-01616	0,8	2,4
	C-01616	1,0	2,4
	C-01616	1,2	2,4
	C-01616	1,4	2,4
	C-01616	1,6	2,8
	C-01616	1,8	2,8
	C-01616	2,0	3,2
	C-01616	2,2	3,6
7	C-01134		

pezzo part	codice code	dist. aghi placca needle plate size	dist. aghi morsetto needle holder size
3 - 5	C-01618	1,2	2,4
	C-01618	1,4	2,4
	C-01618	1,6	2,8
	C-01618	1,8	2,8
	C-01618	2,0	3,2
	C-01618	2,2	3,6
3	C-01619	1,2	2,4
	C-01619	1,4	2,4
	C-01619	1,6	2,8
	C-01619	1,8	2,8
	C-01619	2,0	3,2
	C-01619	2,2	3,6
4	C-01620	(1,0) x 0,8	2,4
	C-01620	1,0	2,4
	C-01620	1,2	2,4
	C-01620	(1,4) x 1,2	2,4
	C-01620	1,4	2,4
	C-01620	1,6	2,8
	C-01620	(1,4) x 1,6	2,4 / 2,8
	C-01620	1,8	2,8
	C-01620	2,0	3,2
	C-01620	2,2	3,6
5	C-01239		
8	C-01215		

Per cuciture elaborate e di assemblaggio su **materiali mediopesanti e pesanti.**

For sewing fancy seams and assembly seams on **mediumweight / heavyweight materials.**

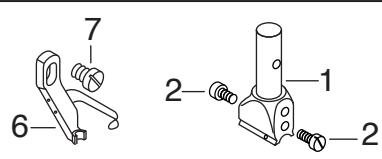
pezzo part	codice code	dist. aghi placca needle plate size	dist. aghi morsetto needle holder size
1-2	C-00176		3,2
2	C-01614		
6	C-01617	1,2	2,4
	C-01617	1,4	2,4
	C-01617	1,6	2,8
	C-01617	1,8	2,8
	C-01617	2,0	3,2
	C-01617	2,2	3,6
	C-01617	2,4	3,6
	C-01617	2,8	3,6
7	C-01134		

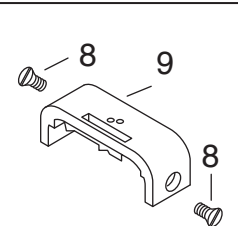
pezzo part	codice code	dist. aghi placca needle plate size	dist. aghi morsetto needle holder size
3 - 5	C-01621	1,2	2,4
	C-01621	1,4	2,4
	C-01621	1,6	2,8
	C-01621	1,8	2,8
	C-01621	2,0	3,2
	C-01621	2,2	3,6
	C-01621	2,4	3,6
	C-01621	2,8	3,6
3	C-01622	1,2	2,4
	C-01622	1,4	2,4
	C-01622	1,6	2,8
	C-01622	1,8	2,8
	C-01622	2,0	3,2
	C-01622	2,2	3,6
	C-01622	2,4	3,6
	C-01622	2,8	3,6
4	C-01623	1,2	2,4
	C-01623	1,4	2,4
	C-01623	1,6	2,8
	C-01623	1,8	2,8
	C-01623	2,0	3,2
	C-01623	2,2	3,6
	C-01623	2,4	3,6
	C-01623	2,8	3,6
5	C-01239		
8	C-01215		
9	C-01621 RINF	1,6	2,8
	C-01621 RINF	1,8	2,8
	C-01621 RINF	2,0	3,2
	C-01621 RINF	2,2	3,6

N22-N-ALL-IN-ONE / N22-ALL-IN-ONE

Versione / Type "C" Rinf

Per cuciture elaborate e di assemblaggio su materiali pesanti per antinfortunistica
For sewing fancy seams and assembly seams on accident prevention materials.

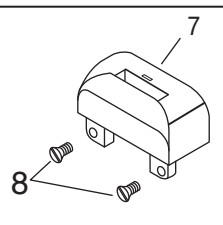
			
pezzo part	codice code	dist. aghi placa	dist. aghi morsetto
1-2	C-00176	2,0 - 2,2	3,2 - 3,6
2	C-01614		

		pezzo part	codice code
		9	C-01621 rinf-x 1,8
		9	C-01621 rinf-x 2,0
		9	C-01621 rinf-x 2,2
		8	C-01215 rinf-x 4

N21-ALL-IN-ONE

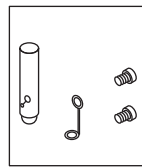
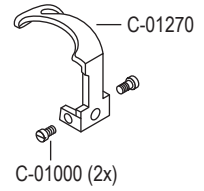
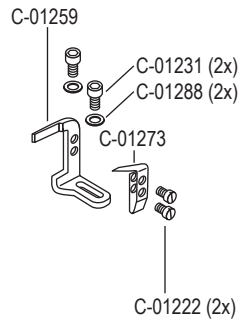
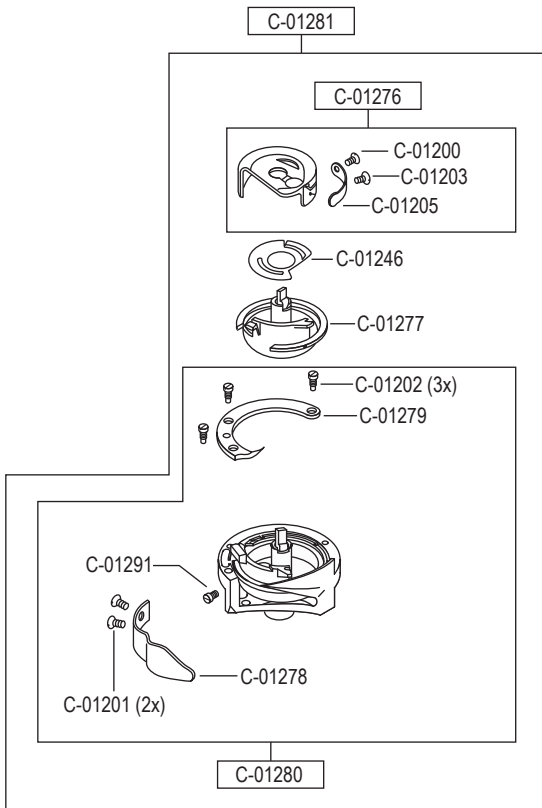
Versione / Type "C" Rinf

Per cuciture elaborate e di assemblaggio su materiali pesanti per antinfortunistica
For sewing fancy seams and assembly seams on accident prevention materials.

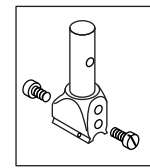
		pezzo part	codice code
		7	C-01625 rinf C
		8	C-00794

N21-ALL-IN-ONE		pezzo / part	codice / code		
		1	C-00740		
		2	C-00742		
		3	C-01000		
		4	C-00741		
Versione / Type "A" Per cuciture elaborate e di assemblaggio su materiali leggeri. For sewing fancy seams and assembly seams on lightweight materials.		5 - 7	C-01625-A		
		5	C-01626-A		
		6	C-01627-A		
		7	C-01501		
		8	C-00794		
		Versione / Type "B" Per cuciture elaborate e di assemblaggio su materiali mediopesanti. For sewing fancy seams and assembly seams on mediumweight materials.		5 - 7	C-01625-B
				5	C-01626-B
				6	C-01627-B
7	C-01501				
8	C-00794				
Versione / Type "C" Per cuciture elaborate e di assemblaggio su materiali mediopesanti e pesanti. For sewing fancy seams and assembly seams on medium to medium heavyweight materials.				5 - 7	C-01625-C
				5	C-01626-C
				6	C-01627-C
		7	C-01501		
		8	C-00794		

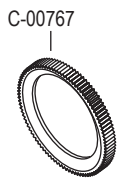
N21-N-ALL-IN-ONE		pezzo / part	codice / code		
		1	C-00740		
		2	C-00742		
		3	C-01000		
		4	C-00741		
Versione / Type "B" Per cuciture elaborate e di assemblaggio su materiali mediopesanti. For sewing fancy seams and assembly seams on mediumweight materials.		5 - 7	C-01628-B		
		5	C-01629-B		
		6	C-01630-B		
		7	C-01791		
		8	C-00794		
		Versione / Type "C" Per cuciture elaborate e di assemblaggio su materiali mediopesanti e pesanti. For sewing fancy seams and assembly seams on medium to medium heavyweight materials.		5 - 7	C-01628-C
				5	C-01629-C
				6	C-01630-C
7	C-01791				
8	C-00794				



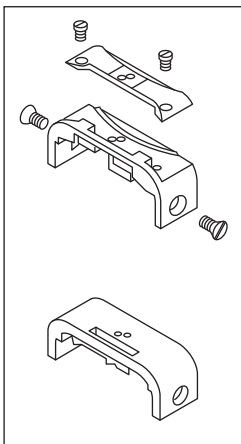
vedi pagina 26
see page 26



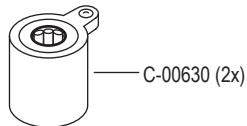
vedi pagina 24
see page 24



C-01248



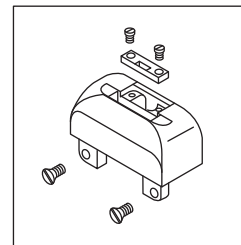
vedi pagina 24
see page 24



C-00630 (2x)

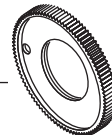


C-00715

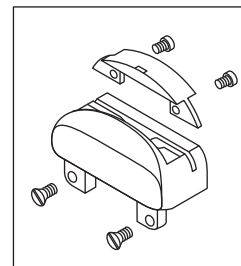


vedi pagina 26
see page 26

Versione dentata C-00393

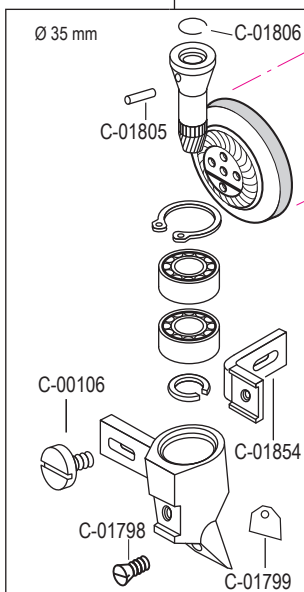


Versione godronata C-00393L

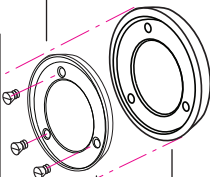


vedi pagina 26
see page 26

C-01058
C-01058G (versione rotella in gomma)
(version with rubber roller foot)



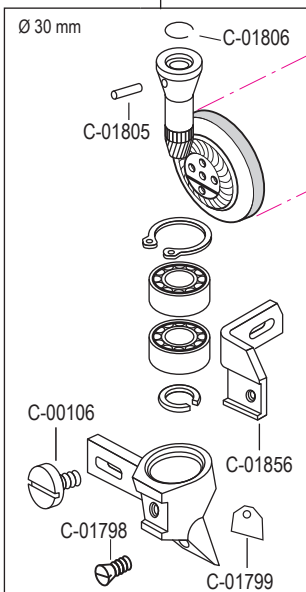
C-01848



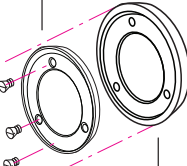
C-01851
gommino
rotella
Ø35 mm
roller foot
rubber

C-01846
(3x)

C-00083
C-00083G (versione rotella in gomma)
(version with rubber roller foot)



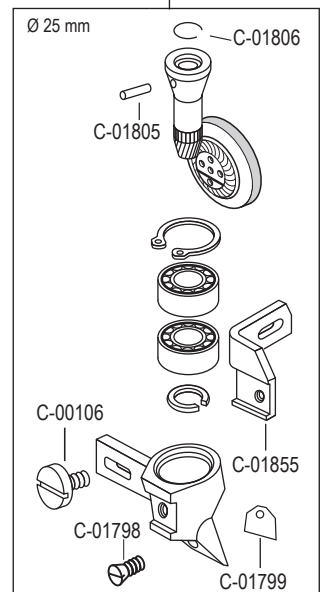
C-01847



C-01852
gommino rotella
roller foot rubber

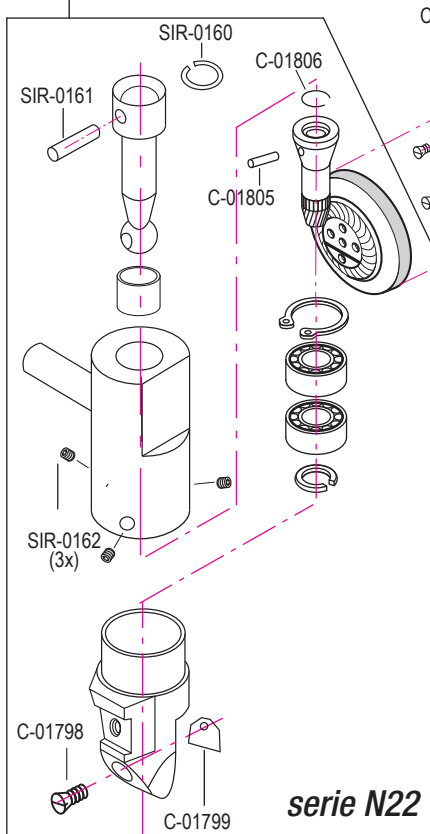
C-01846
(3x)

C-00081

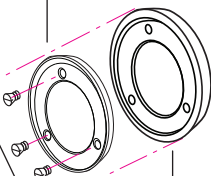


Serie S VERSIONE ROTELLA SGANCIO

C-01058S/2
C-01058SG/2 (versione rotella in gomma)
(version with rubber roller foot)



C-01848

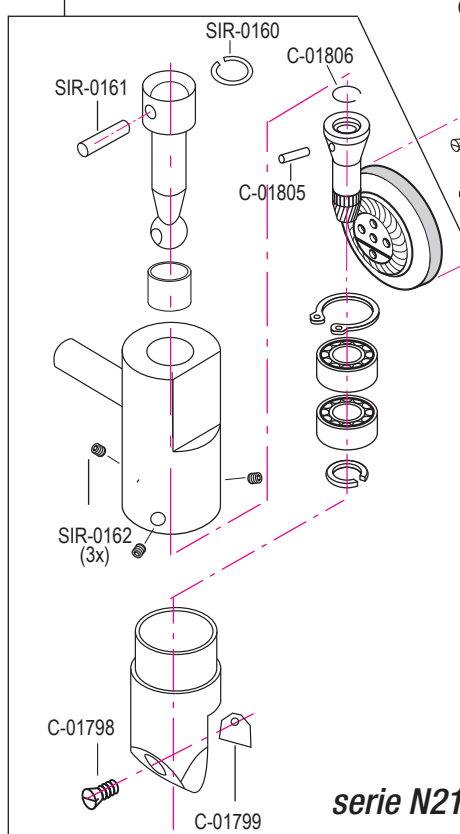


C-01851
gommino
rotella
Ø35 mm
roller foot
rubber

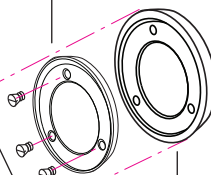
C-01846
(3x)

serie N22

C-01058S/1
C-01058SG/1 (versione rotella in gomma)
(version with rubber roller foot)



C-01848



C-01851
gommino
rotella
Ø35 mm
roller foot
rubber

C-01846
(3x)

serie N21

Cod	Pag	Cod	Pag	Cod	Pag	Cod	Pag	Cod	Pag
C-00012.....	4	C-00106.....	2	C-00184.....	9	C-00294.....	12	C-00407.....	9
C-00021.....	21	C-00106.....	3	C-00187.....	11	C-00295.....	5	C-00407.....	14
C-00022.....	9	C-00106.....	27	C-00188.....	9	C-00295.....	6	C-00407.....	16
C-00024.....	1	C-00108.....	17	C-00189.....	3	C-00295.....	12	C-00407.....	17
C-00024.....	2	C-00129.....	7	C-00189.....	6	C-00295.....	14	C-00407.....	19
C-00024.....	7	C-00142.....	3	C-00189.....	8	C-00295.....	16	C-00408.....	17
C-00024.....	10	C-00142.....	7	C-00189.....	12	C-00295.....	17	C-00412.....	17
C-00024.....	19	C-00142.....	8	C-00194.....	4	C-00295.....	21	C-00458.....	13
C-00025.....	9	C-00142.....	14	C-00197.....	9	C-00295.....	23	C-00458.....	15
C-00036.....	5	C-00142.....	16	C-00205.....	4	C-00296.....	12	C-00460.....	13
C-00036.....	6	C-00148.....	11	C-00206.....	4	C-00299.....	5	C-00460.....	15
C-00048.....	5	C-00149.....	7	C-00213.....	4	C-00299.....	6	C-00462.....	13
C-00048.....	6	C-00149.....	8	C-00219.....	4	C-00299.....	12	C-00462.....	15
C-00049.....	5	C-00149.....	17	C-00221.....	4	C-00300.....	11	C-00497.....	14
C-00049.....	6	C-00152.....	11	C-00233.....	3	C-00302.....	11	C-00497.....	17
C-00051.....	5	C-00152.....	13	C-00242.....	3	C-00303.....	11	C-00506.....	14
C-00051.....	6	C-00153.....	4	C-00243.....	9	C-00309.....	10	C-00506.....	17
C-00060.....	5	C-00153.....	8	C-00244.....	3	C-00314.....	10	C-00506.....	18
C-00060.....	6	C-00153.....	10	C-00246.....	3	C-00315.....	2	C-00594.....	9
C-00063.....	2	C-00157.....	4	C-00252.....	3	C-00315.....	10	C-00598.....	23
C-00067.....	2	C-00157.....	8	C-00259.....	11	C-00322.....	11	C-00610.....	23
C-00071.....	2	C-00158.....	4	C-00259.....	20	C-00341.....	14	C-00616.....	21
C-00074.....	2	C-00158.....	8	C-00265.....	11	C-00341.....	16	C-00616.....	23
C-00075.....	2	C-00158.....	10	C-00268.....	10	C-00341.....	17	C-00630.....	2
C-00076.....	2	C-00159.....	8	C-00268.....	11	C-00382.....	17	C-00630.....	27
C-00077.....	2	C-00163.....	2	C-00271.....	11	C-00385.....	14	C-00634.....	17
C-00078.....	2	C-00163.....	10	C-00273.....	11	C-00385.....	16	C-00635.....	17
C-00078.....	10	C-00164.....	2	C-00279.....	11	C-00386.....	17	C-00704.....	9
C-00078.....	12	C-00164.....	10	C-00281.....	11	C-00393L.....	17	C-00706.....	9
C-00078.....	13	C-00165.....	4	C-00282.....	11	C-00393L.....	17	C-00707.....	9
C-00078.....	14	C-00165.....	8	C-00283.....	12	C-00393.....	17	C-00708.....	9
C-00078.....	15	C-00165.....	10	C-00284.....	12	C-00396.....	17	C-00709.....	9
C-00078.....	16	C-00169.....	4	C-00286.....	12	C-00397.....	17	C-00710.....	9
C-00079.....	2	C-00175.....	4	C-00287.....	12	C-00398.....	17	C-00711.....	9
C-00081.....	27	C-00176.....	24	C-00288.....	12	C-00399.....	17	C-00712.....	9
C-00083.....	27	C-00176.....	25	C-00289.....	12	C-00400.....	17	C-00713.....	9
C-00083G.....	27	C-00177.....	4	C-00290.....	12	C-00401.....	17	C-00714.....	9
C-00096.....	17	C-00180.....	9	C-00291.....	12	C-00407.....	3	C-00715.....	9
C-00105.....	17	C-00181.....	9	C-00292.....	12	C-00407.....	3	C-00715.....	27

Cod	Pag	Cod	Pag	Cod	Pag	Cod	Pag	Cod	Pag
C-00716	9	C-00865/C	17	C-01127	20	C-01211	6	C-01230	15
C-00717	9	C-00948	21	C-01127	21	C-01212	5	C-01231	13
C-00718	9	C-00957	1	C-01128	21	C-01212	6	C-01231	15
C-00719	9	C-00972	2	C-01129	21	C-01213	14	C-01231	27
C-00720	9	C-00973	2	C-01131	21	C-01213	16	C-01232	3
C-00721	8	C-00977	2	C-01132	21	C-01213	16	C-01232	20
C-00722	14	C-00978	2	C-01134	3	C-01214	13	C-01233	13
C-00722	17	C-00979	2	C-01134	3	C-01214	15	C-01233	15
C-00723	8	C-00980	2	C-01134	13	C-01215	14	C-01237	14
C-00740	4	C-00981	2	C-01134	15	C-01215	24	C-01237	16
C-00740	26	C-00982	2	C-01134	21	C-01215	25	C-01238	12
C-00741	4	C-00984	2	C-01134	24	C-01218	12	C-01238	13
C-00741	26	C-00984C	2	C-01144	2	C-01218	13	C-01238	15
C-00742	4	C-01000	4	C-01200	13	C-01218	15	C-01239	14
C-00742	26	C-01000	13	C-01200	15	C-01218	19	C-01239	24
C-00761	14	C-01000	15	C-01200	27	C-01219	12	C-01240	14
C-00761	16	C-01000	26	C-01201	13	C-01219	14	C-01240	16
C-00767	14	C-01000	27	C-01201	15	C-01219	16	C-01241	21
C-00767	27	C-01010	9	C-01201	27	C-01220	1	C-01241	23
C-00768	14	C-01011	9	C-01202	13	C-01220	19	C-01242	5
C-00771	14	C-01011	27	C-01202	15	C-01221	1	C-01242	6
C-00771	16	C-01058	2	C-01202	27	C-01222	13	C-01243	14
C-00777	14	C-01058	27	C-01203	13	C-01222	15	C-01243	16
C-00794	17	C-01058G	2	C-01203	15	C-01222	27	C-01244	14
C-00794	26	C-01058G	27	C-01203	27	C-01223	14	C-01244	16
C-00817	13	C-01058S/1	2/S	C-01204	1	C-01223	16	C-01245	14
C-00832	9	C-01058S/2	2/S	C-01205	13	C-01224	14	C-01245	16
C-00843	5	C-01058S/2	27/2	C-01205	15	C-01224	16	C-01246	13
C-00843	6	C-01058S/1	27/2	C-01205	27	C-01225	2	C-01246	15
C-00843	9	C-01058SG/2	27/2	C-01206	14	C-01225	10	C-01246	27
C-00851	4	C-01058SG/1	27/2	C-01206	16	C-01226	14	C-01247	5
C-00852	11	C-01113	11	C-01206	17	C-01226	17	C-01247	6
C-00856	11	C-01083	14	C-01208	9	C-01227	14	C-01248	5
C-00858	11	C-01121	8	C-01208	19	C-01227	17	C-01248	6
C-00859	4	C-01122	21	C-01209	5	C-01228	14	C-01248	27
C-00862	11	C-01122	23	C-01209	6	C-01228	17	C-01249	5
C-00863	11	C-01123	21	C-01210	5	C-01229	14	C-01249	6
C-00864	11	C-01127	3	C-01210	6	C-01229	16	C-01250	5
C-00865	17	C-01127	12	C-01211	5	C-01230	13	C-01250	6

Cod	Pag	Cod	Pag	Cod	Pag	Cod	Pag	Cod	Pag
C-01251	6	C-01268	15	C-01284	5	C-01299	9	C-01345	3
C-01252	5	C-01269	14	C-01284	6	C-01299	19	C-01346	3
C-01252	6	C-01269	16	C-01285 x 12,0 mm	11	C-01300	12	C-01347	3
C-01254	5	C-01270	13	C-01285 x 12,0 mm	20	C-01302	12	C-01348	3
C-01254	6	C-01270	15	C-01285 x 9,0 mm	11	C-01303	14	C-01349	3
C-01254	16	C-01270	27	C-01285 x 9,0 mm	20	C-01303	16	C-01350	3
C-01254	22	C-01271	13	C-01286	1	C-01304	16	C-01351	3
C-01255	1	C-01271	15	C-01286	1	C-01304	17	C-01352	3
C-01255	5	C-01272	14	C-01286	2	C-01305	5	C-01353	3
C-01255	5	C-01272	16	C-01286	7	C-01305	5	C-01354	4
C-01255	5	C-01273	13	C-01286	17	C-01306	1	C-01355	4
C-01255	6	C-01273	15	C-01286	19	C-01307	1	C-01356	4
C-01256	14	C-01273	27	C-01288	3	C-01308	1	C-01357	4
C-01256	16	C-01274	13	C-01288	13	C-01309	1	C-01358	4
C-01257	13	C-01274	15	C-01288	15	C-01310	1	C-01359	4
C-01257	15	C-01275	13	C-01288	27	C-01316	1	C-01360	4
C-01258	13	C-01275	16	C-01289	5	C-01317	1	C-01361	4
C-01258	15	C-01276	13	C-01289	6	C-01318	1	C-01362	4
C-01259	13	C-01276	15	C-01290	14	C-01319	1	C-01363	4
C-01259	15	C-01276	27	C-01290	17	C-01323	1	C-01364	4
C-01259	27	C-01277	13	C-01291	13	C-01324	1	C-01365	4
C-01260	13	C-01277	15	C-01291	15	C-01325	1	C-01366	4
C-01260	15	C-01277	27	C-01291	27	C-01326	1	C-01367	4
C-01261	14	C-01278	13	C-01292	5	C-01327	1	C-01368	4
C-01261	16	C-01278	15	C-01292	6	C-01328	1	C-01369	4
C-01262	14	C-01278	27	C-01292	20	C-01329	1	C-01370	5
C-01262	16	C-01279	13	C-01293	7	C-01330	1	C-01371	5
C-01263	14	C-01279	15	C-01293	11	C-01331	1	C-01372	5
C-01263	16	C-01279	27	C-01293	20	C-01332	1	C-01373	5
C-01264	14	C-01280	13	C-01294	13	C-01333	1	C-01374	5
C-01264	16	C-01280	15	C-01294	15	C-01335	3	C-01375	5
C-01265	14	C-01280	27	C-01295	11	C-01336	3	C-01376	5
C-01265	16	C-01281	13	C-01295	20	C-01337	3	C-01377	5
C-01265	16	C-01281	15	C-01296	7	C-01338	3	C-01378	5
C-01266	13	C-01281	27	C-01296	11	C-01339	3	C-01379	5
C-01266	15	C-01282	5	C-01296	20	C-01340	3	C-01380	5
C-01267	13	C-01282	6	C-01297	11	C-01341	3	C-01381	5
C-01267	15	C-01283	5	C-01298	8	C-01342	3	C-01382	5
C-01268	13	C-01283	6	C-01298	11	C-01343	3	C-01383	5

Cod	Pag	Cod	Pag	Cod	Pag	Cod	Pag	Cod	Pag
C-01384.....	5	C-01432.....	11	C-01482.....	14	C-01520.....	19	C-01619.....	24
C-01385.....	5	C-01433.....	11	C-01483.....	14	C-01521.....	19	C-01620.....	24
-01386.....	5	C-01434.....	11	C-01484.....	14	C-01522.....	19	C-01621.....	24
-01387.....	5	C-01435.....	11	C-01485.....	14	C-01523.....	19	C-01621 RINF.....	25
-01388.....	5	C-01436.....	11	C-01486.....	14	C-01524.....	19	C-01621-RINF.....	24
-01389.....	5	C-01437.....	11	C-01487.....	14	C-01525.....	20	C-01622.....	24
-01390.....	6	C-01438.....	11	C-01488.....	23	C-01526.....	20	C-01623.....	24
-01391.....	6	C-01439.....	11	C-01489.....	15	C-01527.....	20	C-01625 RINF C.....	25
-01392.....	6	C-01440.....	11	C-01490.....	15	C-01528.....	20	C-01625-A.....	26
-01393.....	6	C-01441.....	11	C-01491.....	16	C-01529.....	20	C-01625-B.....	26
-01394.....	6	C-01453.....	11	C-01492.....	16	C-01529.....	20	C-01625-C.....	26
-01395.....	6	C-01455.....	13	C-01493.....	16	C-01530.....	20	C-01626-A.....	26
-01396.....	6	C-01457.....	12	C-01494.....	16	C-01531.....	20	C-01626-B.....	26
-01397.....	6	C-01458.....	12	C-01495.....	16	C-01532.....	20	C-01626-C.....	26
-01398.....	6	C-01460.....	12	C-01496.....	16	C-01532.....	20	C-01627-A.....	26
-01399.....	6	C-01461.....	12	C-01497.....	16	C-01533.....	20	C-01627-B.....	26
-01400.....	6	C-01462.....	12	C-01498.....	16	C-01534.....	20	C-01627-C.....	26
-01401.....	6	C-01463.....	13	C-01499.....	16	C-01535.....	20	C-01628-B.....	26
-01405.....	7	C-01464.....	13	C-01500.....	16	C-01544.....	21	C-01628-C.....	26
-01406.....	7	C-01465.....	13	C-01501.....	17	C-01547.....	2	C-01629-B.....	26
-01413 x 12,0 mm	7	C-01466.....	13	C-01501.....	26	C-01584.....	23	C-01629-C.....	26
-01413 x 9,0 mm	7	C-01467.....	13	C-01502.....	17	C-01585.....	23	C-01630-B.....	26
-01414 x 12,0 mm	7	C-01468.....	13	C-01503.....	14	C-01586.....	23	C-01630-C.....	26
-01414 x 9,0 mm	7	C-01469.....	13	C-01503.....	17	C-01587.....	23	C-01634.....	14
-01415.....	7	C-01470.....	13	C-01504.....	17	C-01588.....	23	C-01634.....	16
-01416.....	7	C-01471.....	13	C-01505.....	17	C-01589.....	23	C-01791.....	26
-01417.....	7	C-01472.....	13	C-01507.....	17	C-01590.....	23	C-01793.....	5
-01418.....	7	C-01473.....	13	C-01508.....	19	C-01591.....	23	C-01793.....	6
-01419.....	7	C-01474.....	14	C-01509.....	19	C-01592.....	23	C-01794.....	6
-01421.....	9	C-01475.....	14	C-01510.....	19	C-01593.....	23	C-01795.....	5
-01422.....	9	C-01476 x 1,2.....	14	C-01511.....	19	C-01594.....	23	C-01795.....	6
-01423.....	9	C-01476 x 1,4.....	14	C-01512.....	19	C-01595.....	23	C-01796.....	6
-01424.....	9	C-01476 x 1,6.....	14	C-01513.....	19	C-01596.....	23	C-01798.....	2
-01425.....	8	C-01476 x 1,8.....	14	C-01514.....	19	C-01599.....	22	C-01799.....	2
-01426.....	8	C-01476 x 2,0.....	14	C-01515.....	19	C-01614.....	24	C-01798.....	2/S
-01427.....	8	C-01476 x 2,2.....	14	C-01516.....	19	C-01614.....	25	C-01799.....	2/S
-01428.....	8	C-01476 x 2,4.....	14	C-01517.....	19	C-01616.....	24	C-01798.....	27/2
-01429.....	9	C-01480.....	14	C-01518.....	19	C-01617.....	24	C-01799.....	27/2
-01431.....	11	C-01481.....	14	C-01519.....	19	C-01618.....	24	C-01805.....	2/S

Cod	Pag	Cod	Pag	Cod	Pag	Cod	Pag	Cod	Pag
C-01806.....	2/S	C-02019.....	17	C-02050.....	5	C-02089.....	9	C-02116.....	18
C-01846.....	2	C-02020.....	1	C-02051.....	7	C-02090.....	10	C-02117.....	18
C-01846.....	2/S	C-02021.....	1	C-02052.....	7	C-02091.....	10	C-02118.....	18
C-01846.....	27/2	C-02021.....	18	C-02052.....	7	C-02091.....	18	C-02121.....	18
C-01847.....	2	C-02022.....	1	C-02053.....	7	C-02092.....	10	C-02122.....	18
C-01847.....	2/S	C-02022.....	2	C-02054.....	7	C-02092.....	18	C-02126.....	18
C-01847.....	27/2	C-02022.....	18	C-02055.....	7	C-02093.....	10	C-02127.....	18
C-01848.....	2	C-02023.....	1	C-02056.....	7	C-02094.....	10	C-02128.....	18
C-01848.....	2/S	C-02024.....	1	C-02057.....	7	C-02094.....	18	C-02129.....	18
C-01848.....	27/2	C-02024.....	2	C-02058.....	7	C-02095.....	10	C-02130.....	18
C-01851.....	2	C-02024.....	8	C-02060.....	7	C-02096.....	10	C-02131.....	18
C-01851.....	2/S	C-02024.....	12	C-02061.....	7	C-02097.....	11	C-02132.....	18
C-01851.....	27	C-02024.....	18	C-02063.....	7	C-02100.....	14	C-02133.....	18
C-01852.....	27	C-02025.....	2	C-02064.....	7	C-02100.....	17	C-02136.....	18
C-01854.....	2	C-02026.....	2	C-02065.....	7	C-02100.....	18	C-02137.....	18
C-01855.....	27/2	C-02027.....	2	C-02066.....	7	C-02101.....	14	C-02139.....	18
C-01856.....	27/2	C-02028.....	2	C-02067.....	7	C-02101.....	17	C-02140.....	21
C-02001.....	1	C-02028.....	7	C-02067.....	14	C-02102.....	14	C-02141.....	21
C-02002.....	1	C-02029.....	2	C-02068.....	8	C-02102.....	17	C-02142.....	21
C-02002.....	22	C-02030.....	2	C-02069.....	8	C-02103.....	14	C-02143.....	21
C-02003.....	1	C-02031.....	2	C-02070.....	8	C-02103.....	17	C-02145.....	22
C-02004.....	1	C-02032.....	2	C-02071.....	8	C-02104.....	14	C-02146.....	22
C-02004.....	12	C-02033.....	2	C-02072.....	8	C-02104.....	17	C-02147.....	22
C-02005.....	1	C-02034.....	2	C-02073.....	8	C-02105.....	14	C-02148.....	22
C-02005.....	22	C-02035.....	2	C-02074.....	8	C-02105.....	17	C-02149.....	22
C-02006.....	1	C-02036.....	2	C-02075.....	8	C-02106.....	14	C-02150.....	22
C-02006.....	22	C-02039.....	2	C-02076.....	8	C-02106.....	17	C-02151.....	22
C-02008.....	1	C-02040.....	2	C-02077.....	8	C-02107.....	14	C-02152.....	22
C-02009.....	1	C-02041.....	2	C-02078.....	8	C-02107.....	17	C-02153.....	22
C-02010.....	1	C-02042.....	2	C-02079.....	8	C-02107.....	18	C-02154.....	23
C-02011.....	1	C-02043.....	2	C-02080.....	8	C-02108.....	14	C-02156.....	23
C-02012.....	1	C-02044.....	2	C-02081.....	8	C-02108.....	17	C-02157.....	23
C-02013.....	1	C-02045.....	2	C-02082.....	8	C-02109.....	14	C-02160.....	2/S
C-02015.....	1	C-02046.....	2	C-02083.....	8	C-02109.....	17	C-02161.....	2/S
C-02016.....	1	C-02046.....	14	C-02084.....	8	C-02110.....	14	C-02162.....	2/S
C-02017.....	1	C-02046.....	17	C-02085.....	8	C-02110.....	17	C-02163.....	2/S
C-02018.....	1	C-02047.....	2	C-02085.....	23	C-02111.....	14	C-02164.....	2/S
C-02019.....	1	C-02048.....	2	C-02087.....	8	C-02112.....	18	C-02165.....	2/S
C-02019.....	14	C-02049.....	2	C-02088.....	8	C-02113.....	17	C-02166.....	2/S

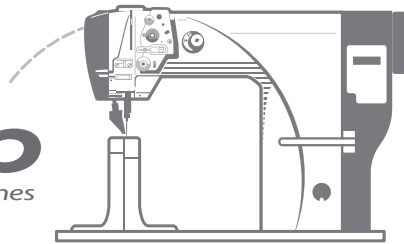
Cod	Pag	Cod	Pag	Cod	Pag	Cod	Pag	Cod	Pag
SIR-0140.....	2/S								
SIR-0141.....	2/S								
SIR-0142.....	2/S								
SIR-0143.....	2/S								
SIR-0144.....	2/S								
SIR-0145.....	2/S								
SIR-0146.....	2/S								
SIR-0147.....	2/S								
SIR-0148.....	2/S								
SIR-0149.....	2/S								
SIR-0150.....	2/S								
SIR-0151.....	2/S								
SIR-0152.....	2/S								
SIR-0153.....	2/S								
SIR-0154.....	2/S								
SIR-0155.....	2/S								
SIR-0156.....	2/S								
SIR-0157.....	2/S								
SIR-0158.....	2/S								
SIR-0159.....	2/S								
SIR-0160.....	2/S								
SIR-0161.....	2/S								
SIR-0162.....	2/S								
SIR-0165.....	2/S								
SIR-0165.....	27/S								

CATALOGO RICAMBI

SPARE PARTS LIST

LISTE DES PIÈCES

CATALOG PIESE DE SCHIMB



N21-ALL-IN-ONE-V2

N21-ALL-IN-ONE-V2/S

N22-ALL-IN-ONE-V2

N22-ALL-IN-ONE-V2/S

N21-N-ALL-IN-ONE-V2

N21-N-ALL-IN-ONE-V2/S

N22-N-ALL-IN-ONE-V2

N22-N-ALL-IN-ONE-V2/S

Vers.2 09 - 2020



Via Alpi, 149 - 151 - 153
Zona industriale Villa Luciani
63812 Montegranaro (FM) Italy
Phone: +39.0734.890103 - 890912
Fax: +39.890154

www.bramac.it
e-mail: bramac@bramac.it